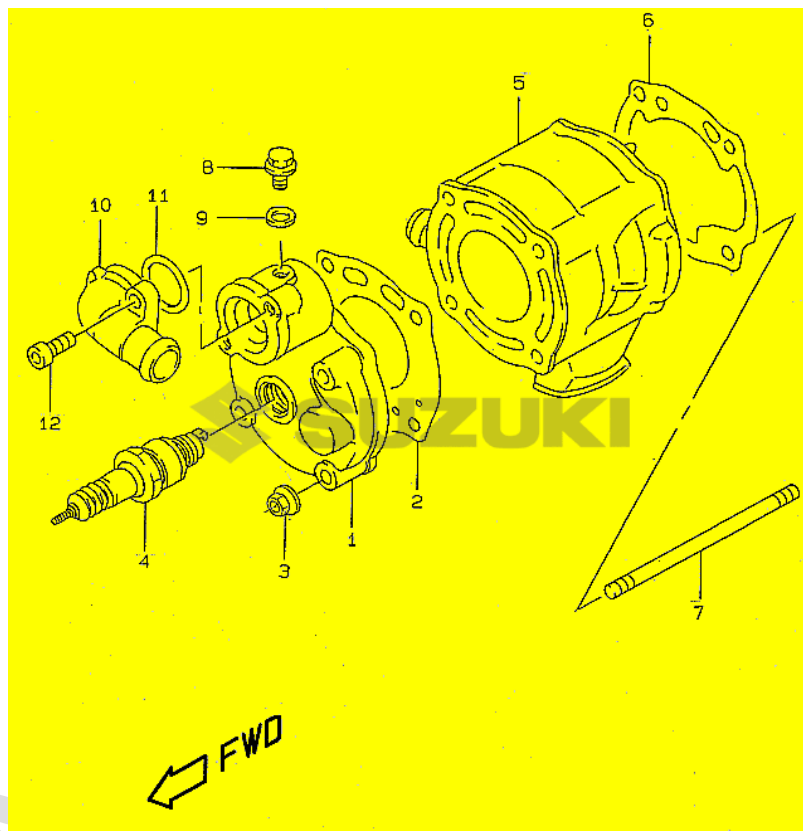


## Spis treści (Suzuki AY 50 Katana)

1. CYLINDER (MODEL ???)
2. CYLINDER (MODEL AY50WR K1)
3. CYLINDER (MODEL AY50 V/W/X/Y)
4. CYLINDER (MODEL AY50 K1)
5. CRANKCASE [Kartery] (MODEL AY50W/WR V/W/X/Y)
6. CRANKCASE [Kartery] (MODEL AY50WR K1)
7. CRANKCASE [Kartery] (MODEL AY50 V/W/X/Y)
8. CRANKCASE [Kartery] (MODEL AY50 K1)
9. CRANKCASE LH COVER [Pokrywa przekładni] (MODEL V/W/X/Y)
10. CRANKCASE LH COVER [Pokrywa przekładni] (MODEL K1)
11. CRANKSHAFT [Układ korbowo – Tłokowy] (MODEL AY50W/WR V/W/X/Y)
12. CRANKSHAFT [Układ korbowo – Tłokowy] (MODEL AY50WR K1)
13. CRANKSHAFT [Układ korbowo – Tłokowy] (MODEL AY50 V/W/X/Y)
14. CRANKSHAFT [Układ korbowo – Tłokowy] (MODEL AY50 K1)
15. CARBURETOR [Gaźnik] (MODEL AY50W/WR V/W/X/Y)
16. CARBURETOR [Gaźnik] (MODEL AY50WR K1)
17. CARBURETOR [Gaźnik] (MODEL AY50 V/W/X/Y)
18. CARBURETOR [Gaźnik] (MODEL AY50 K1)
19. AIR CLEANER [Filtr powietrza]
20. MUFFLER [Układ wydechowy] (MODEL V, MODEL W EXCEPT P4)
21. MUFFLER [Układ wydechowy] (MODEL W P4)
22. MUFFLER [Układ wydechowy] (MODEL X/Y EXCEPT P26 AND AY50 P39 )
23. MUFFLER [Układ wydechowy] (MODEL X/Y P26)
24. MUFFLER [Układ wydechowy] (MODEL AY50 X/Y P39)
25. MUFFLER [Układ wydechowy] (MODEL K1, EXCEPT P26 AND AY50 P39 )
26. MUFFLER [Układ wydechowy] (MODEL K1 P26)
27. MUFFLER [Układ wydechowy] (MODEL AY50 K1 P39)
28. OIL PUMP [Dozownik oleju]
29. WATER PUMP [Pompa wody] (MODEL AY50W/WR)
30. RADIATOR [Chłodnica] (MODEL AY50W/WRV/W/X/Y)
31. RADIATOR [Chłodnica] (MODEL AY50WR K1)
32. BRACE, RADIATOR [Mocowanie chłodnicy] (MODEL AY50 K1)
33. COOLING FAN [Dmuchawa wentylatora] (MODEL AY50)
34. TRANSMISSION (1) [Przekładnia 1](MODEL V/W)
35. TRANSMISSION (1) [Przekładnia 1] (MODEL X/Y)
36. TRANSMISSION (1) [Przekładnia 1] (MODEL AY50 K1)
37. TRANSMISSION (1) [Przekładnia 1] (MODEL AY50WR K1)
38. TRANSMISSION (2) [Przekładnia 2] (MODEL V/W)
39. TRANSMISSION (2) [Przekładnia 2] (MODEL X/Y)
40. TRANSMISSION (2) [Przekładnia 2] (MODEL AY50 K1)
41. TRANSMISSION (2) [Przekładnia 2] (MODEL AY50WR K1)
42. KICK STARTER [Rozrusznik nożny](MODEL V/W)
43. KICK STARTER [Rozrusznik nożny] (MODEL X/Y/K1)
44. STARTING MOTOR [Rozrusznik elektryczny]
45. MAGNETO [Prądnicą]
46. BATTERY [Akumulator]
47. ELECTRICAL [Moduł zapłonowy]
48. SPEEDOMETER [Prędkościomierz] (MODEL V/W/X/Y)
49. SPEEDOMETER [Prędkościomierz] (MODEL K1)
50. HEADLAMP [Lampy przednie] (MODEL V/W/X/Y)
51. HEADLAMP [Lampy przednie] (MODEL K1)
52. TURNSIGNAL [Kierunkowskazy]
53. REAR COMBINATION LAMP [Lampa tylnia]
54. WIRING HARNESS [Wiązka elektryczna] (MODEL V/W/X/Y)
55. WIRING HARNESS [Wiązka elektryczna] (MODEL K1)
56. SWITCH ASSY [Przełączniki]
57. FRAME [Rama] (MODEL V/W/X/Y)
58. FRAME [Rama] (MODEL K1)
59. STAND [Podnóżki, stopka centralna] (MODEL V/W)
60. STAND [Podnóżki, stopka centralna] (MODEL X/Y/K1)
61. FUEL TANK [Zbiornik paliwa]
62. OIL TANK [Zbiornik oleju]
63. FRAME COVER [Owiewki boczne] (MODEL V)

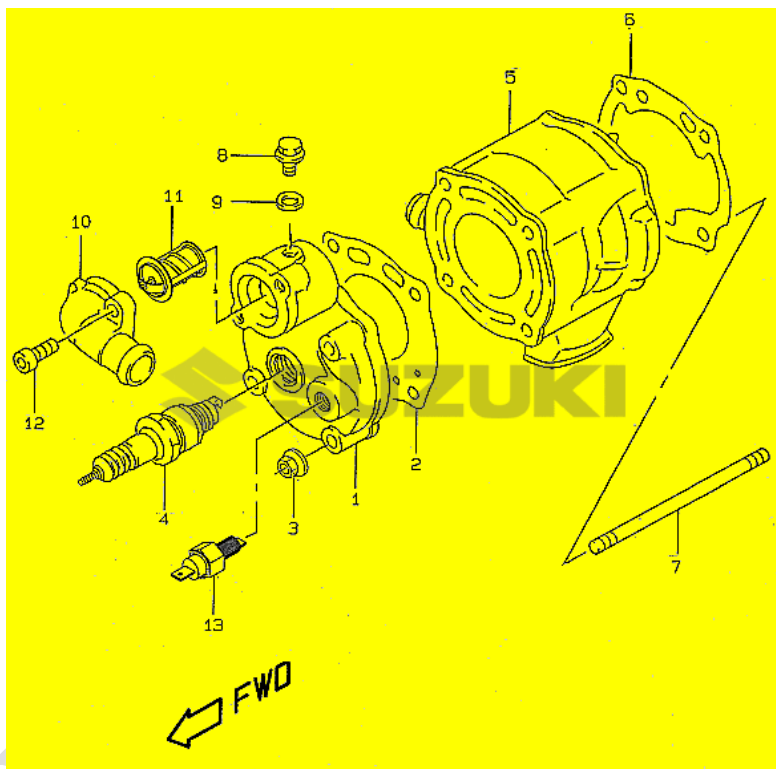
64. FRAME COVER [Owiewki boczne] (MODEL W)
65. FRAME COVER [Owiewki boczne] (MODEL X)
66. FRAME COVER [Owiewki boczne] (MODEL Y)
67. FRAME COVER [Owiewki boczne] (MODEL K1)
68. FRONT LEG SHIELD [Owiewka przednia] (MODEL V/W/X)
69. FRONT LEG SHIELD [Owiewka przednia] (MODEL Y)
70. FRONT LEG SHIELD [Owiewka przednia] (MODEL K1)
71. REAR LEG SHIELD [Obudowa „centralna”]
72. SIDE LEG SHIELD [Obudowa „tylna”] (MODEL V/W/X)
73. SIDE LEG SHIELD [Obudowa „tylna”] (MODEL Y)
74. SIDE LEG SHIELD [Obudowa „tylna”] (MODEL K1)
75. FRONT FENDER [Obudowa „przedniego koła”] (MODEL V/W/X)
76. FRONT FENDER [Obudowa „przedniego koła”] (MODEL Y)
77. FRONT FENDER [Obudowa „przedniego koła”] (MODEL K1)
78. HANDLEBAR [Kierownica] (MODEL V/W AND MODEL AY50 X/Y/K1)
79. HANDLEBAR [Kierownica] (MODEL AY50W/WR X/Y/K1)
80. HANDLE COVER [Owiewki prędkościomierza] (MODEL V/W AND MODEL AY50 X)
81. HANDLE COVER [Owiewki prędkościomierza] (MODEL AY50W/WR X)
82. HANDLE COVER [Owiewki prędkościomierza] (MODEL AY50 Y)
83. HANDLE COVER [Owiewki prędkościomierza] (MODEL AY50W/WR Y)
84. HANDLE COVER [Owiewki prędkościomierza] (MODEL AY50 K1)
85. HANDLE COVER [Owiewki prędkościomierza] (MODEL AY50WR K1)
86. HANDLE GRIP [Manetki]
87. REAR FENDER [Obudowa „tylniego koła”] (MODEL V/W/X)
88. REAR FENDER [Obudowa „tylniego koła”] (MODEL Y)
89. REAR FENDER [Obudowa „tylniego koła”] (MODEL K1)
90. SEAT [Kanapa] (MODEL V)
91. SEAT (MODEL W/X)
92. SEAT (MODEL Y)
93. SEAT (MODEL K1)
94. FRONT FORK [Przednie zawieszenie]
95. FRONT WHEEL [Przednie koło] (MODEL V/W/X)
96. FRONT WHEEL [Przednie koło] (MODEL Y)
97. FRONT WHEEL [Przednie koło] (MODEL K1)
98. FRONT CALIPER [Zacisk przedniego hamulca]
99. FRONT MASTER CYLINDER [Pompa przedniego hamulca] (MAGURA)
100. FRONT MASTER CYLINDER [Pompa przedniego hamulca] (AJP)
101. REAR WHEEL [Tylnie koło] (MODEL V/W AND MODEL AY50 X/Y)
102. REAR WHEEL (MODEL AY50W/WR X)
103. REAR WHEEL (MODEL AY50W/WR Y)
104. REAR WHEEL (MODEL AY50 K1)
105. REAR WHEEL (MODEL AY50WR K1)
106. REAR MASTER CYLINDER [Pompa tylniego hamulca] (MODEL AY50W/WR X/Y/K1)
107. REAR CALIPER [Zacisk tylniego hamulca] (MODEL AY50W/WR X/Y/K1)

Suzuki AY 50 Katana CYLINDER (MODEL ???)



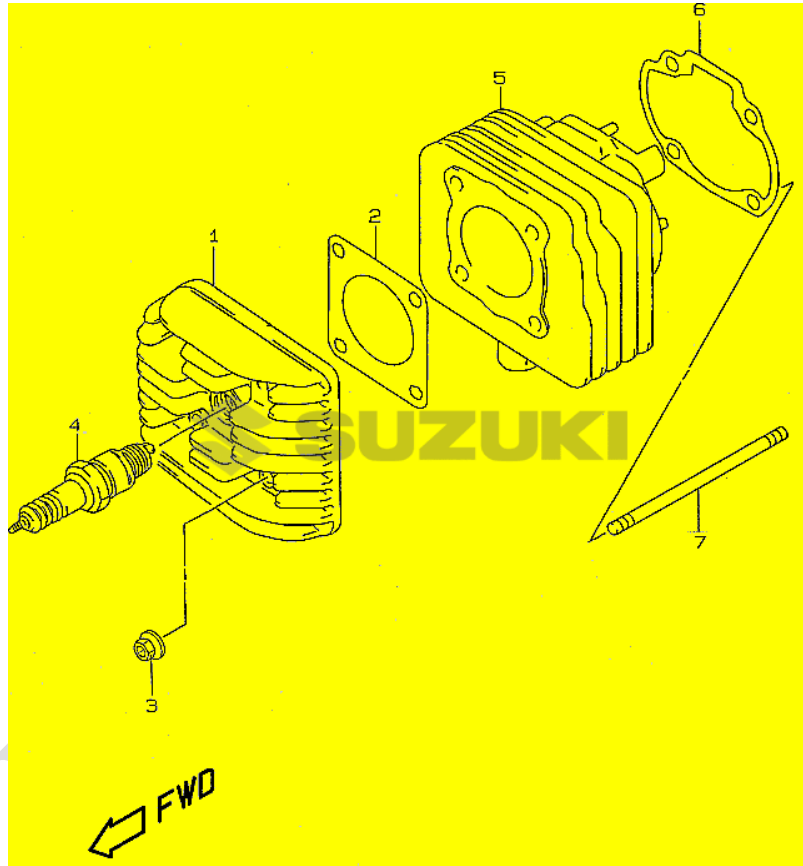
Ind	description1	description2	comment
R1	CULASSE	HEAD, CYLINDER	
R2	JOINT DE CULASSE	GASKET	
R3	ECROU	NUT	
R4	SPARK PLUG BPR7HS	SPARK PLUG (NGK, BPR7HS)	P26, P29, P41, P53, P68 COLD
R4	SPARK PLUG,W22FPR	SPARK PLUG (DENSO, W22FPR)	P26, P29, P41, P53, P68 COLD
R4	SPARK PLUG (NGK, BPR6HS)	SPARK PLUG (NGK, BPR6HS)	MOD V P4-F.NO.VTTAA811800100852
R4	SPARK PLUG (DENSO, W20FPR)	SPARK PLUG (DENSO, W20FPR)	MOD V P4-F.NO.VTTAA811800100852
R4	SPARK PLUG BPR7HS	SPARK PLUG (NGK, BPR7HS)	MOD V P4 F.NO.VTTAA811800100853
R4	SPARK PLUG,W22FPR	SPARK PLUG (DENSO, W22FPR)	MOD V P4 F.NO.VTTAA811800100853
R4	SPARK PLUG (NGK, BPR6HS)	SPARK PLUG (NGK, BPR6HS)	P2, P18, P22, P34, P39 HOT
R4	SPARK PLUG (DENSO, W20FPR)	SPARK PLUG (DENSO, W20FPR)	P2, P18, P22, P34, P39 HOT
R4	SPARK PLUG (NGK, BPR6HS)	SPARK PLUG (NGK, BPR6HS)	MODEL VW P34
R4	SPARK PLUG (DENSO, W20FPR)	SPARK PLUG (DENSO, W20FPR)	MODEL VW P34
R5	CYLINDRE	CYLINDER COMP	P26, P29, P34, P41, P53, P68
R5	CYLINDRE	CYLINDER COMP	MOD V P4 F.NO.VTTAA811800100853
R5	CYLINDRE	CYLINDER COMP	MOD V P4-F.NO.VTTAA811800100852
R5	CYLINDRE	CYLINDER COMP	P2, P22
R5	CYLINDRE	CYLINDER COMP	P18, P39
R6	JOINT DE CYLINDRE	GASKET	
R7	GOUJON	STUD BOLT	
R8	BOLT 6X8	BOLT	
R9	GASKET,6.2X11X1.2	GASKET	
R10	COLLECTEUR	COVER, THERMOSTAT	MODEL VW
R11	O RING,D:2.7,ID:21.4	O. RING	
R12	BOULON	SCREW	

Suzuki AY 50 Katana CYLINDER (MODEL AY50WR K1)



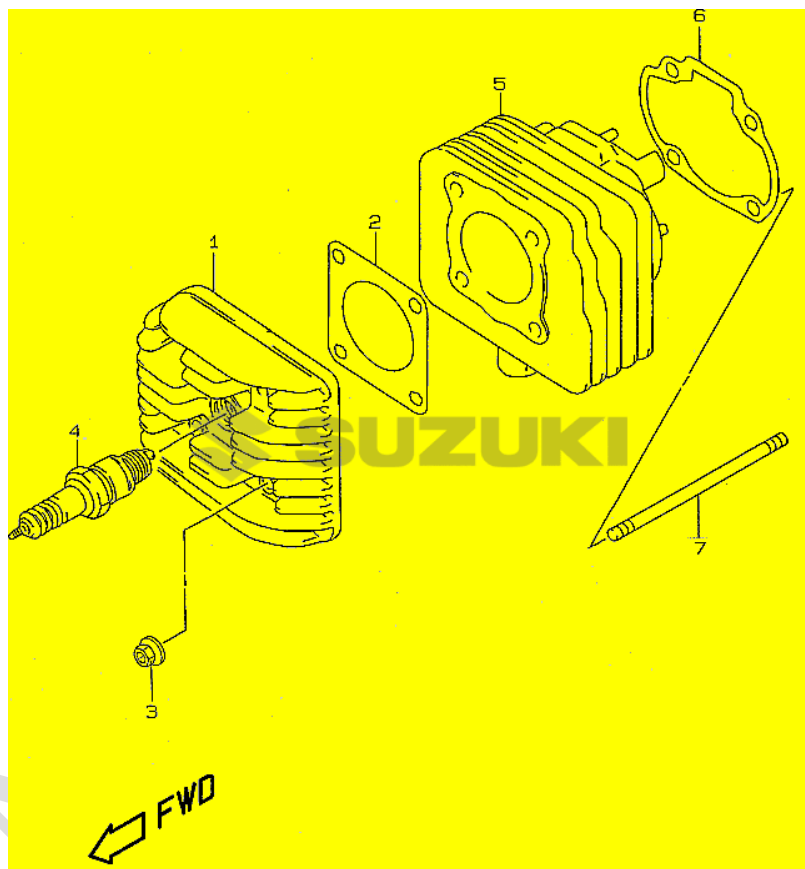
Ind	description1	description2	comment
R1	CULASSE	HEAD, CYLINDER	
R2	JOINT DE CULASSE	GASKET	
R3	ECROU	NUT	
R4	SPARK PLUG BPR7HS	SPARK PLUG (NGK, BPR7HS)	
R4	SPARK PLUG,W22FPR	SPARK PLUG (DENSO, W22FPR)	
R4	SPARK PLUG (NGK, BPR6HS)	SPARK PLUG (NGK, BPR6HS)	P2, P18, P22, P39 HOT
R4	SPARK PLUG (DENSO, W20FPR)	SPARK PLUG (DENSO, W20FPR)	P2, P18, P22, P39 HOT
R5	CYLINDRE	CYLINDER COMP	
R5	CYLINDRE	CYLINDER COMP	P2, P22
R5	CYLINDER	CYLINDER COMP	P18, P39
R6	JOINT DE CYLINDRE	GASKET	
R7	GOUJON	STUD BOLT	
R8	BOLT 6X8	BOLT	
R9	GASKET,6.2X11X1.2	GASKET	
R10	BOITIER	COVER, THERMOSTAT	
R11	THERMOSTAT	THERMOSTAT	
R12	BOULON	SCREW	
R13	CONTACTEUR TEMPERATURE	WATER TEMP, SWITCH	

Suzuki AY 50 Katana CYLINDER (MODEL AY50 V/W/X/Y )



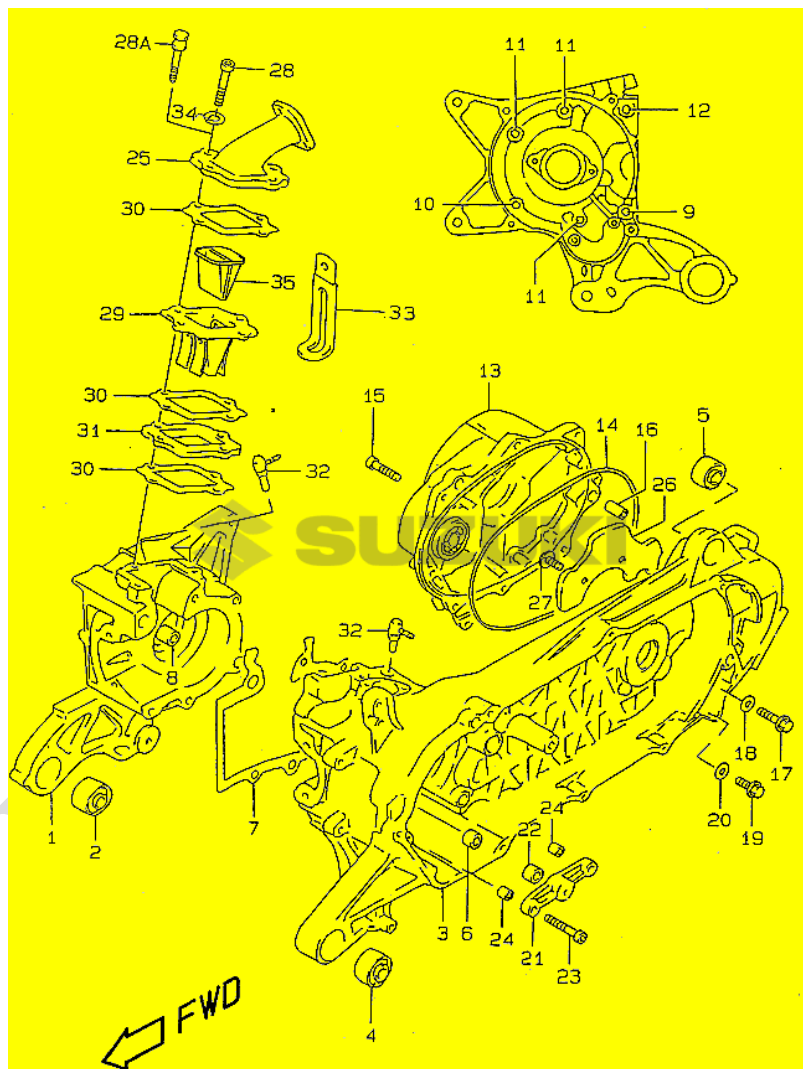
Ind	description1	description2	comment
R1	CULASSE	HEAD, CYLINDER	
R2	JOINT DE CULASSE	GASKET	
R2	GASKET AY50	GASKET	P2, P22, P39
R3	ECROU	NUT	
R4	SPARK PLUG (NGK, BPR6HS)	SPARK PLUG (NGK, BPR6HS)	<--09689-69001 MODEL V/W
R4	SPARK PLUG (DENSO, W20FPR)	SPARK PLUG (DENSO, W20FPR)	MODEL V/W
R5	CYLINDRE	CYLINDER	MODEL V/W
R5	CYLINDER AP50/V-	CYLINDER	P2, P22, P39
R6	JOINT DE CYLINDRE	GASKET	
R7	GOUJON	STUD BOLT	

Suzuki AY 50 Katana CYLINDER (MODEL AY50 K1 )



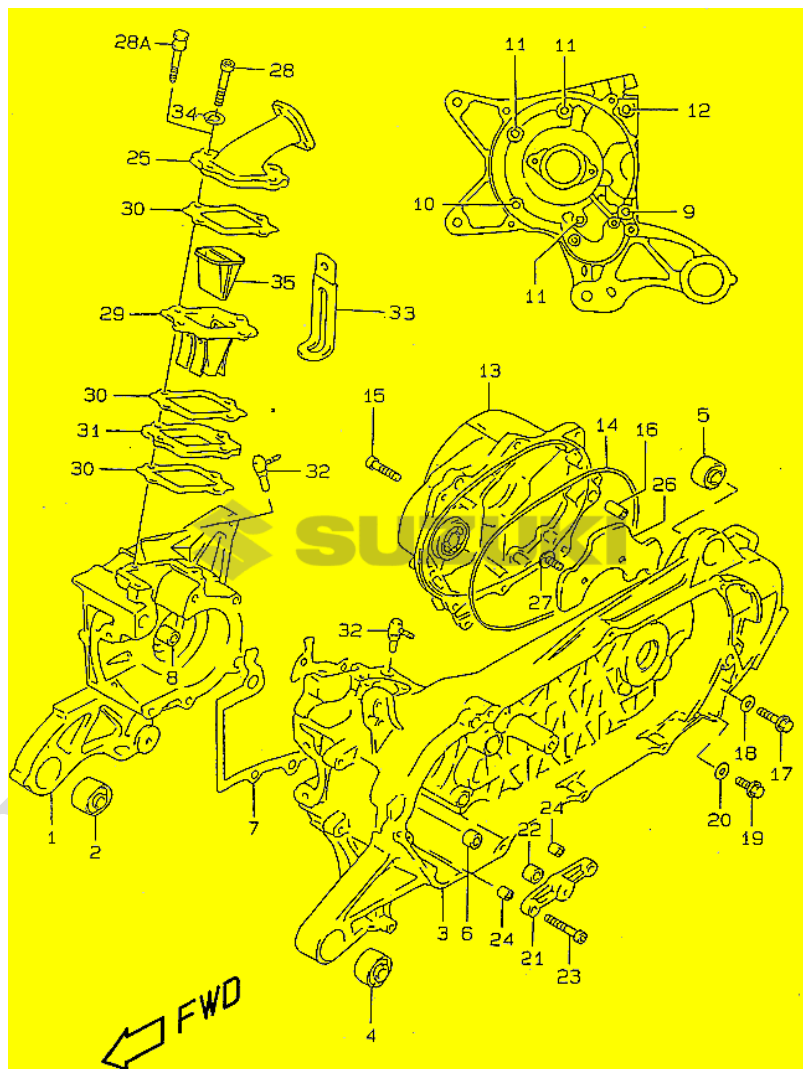
Ind	description1	description2	comment
R1	CULASSE	HEAD, CYLINDER	
R2	JOINT DE CULASSE	GASKET	
R2	GASKET AY50	GASKET	P2, P22, P39
R3	ECROU	NUT	
R4	SPARK PLUG BPR7HS	SPARK PLUG (NGK, BPR7HS)	
R4	SPARK PLUG,W22FPR	SPARK PLUG (DENSO, W22FPR)	
R4	SPARK PLUG (NGK, BPR6HS)	SPARK PLUG (NGK, BPR6HS)	P2, P22, P39
R4	SPARK PLUG (DENSO, W20FPR)	SPARK PLUG (DENSO, W20FPR)	P2, P22, P39
R5	CYLINDRE	CYLINDER	
R5	CYLINDER AP50V-	CYLINDER	P2, P22, P39
R6	JOINT DE CYLINDRE	GASKET	
R7	GOUJON	STUD BOLT	0

Suzuki AY 50 Katana CRANKCASE (MODEL AY50W/WR V/W/X/Y)



Ind	description1	description2	comment
R1	CRANKCASE, RH	CRANKCASE, RH	MODEL V/W
R2	BUSH	BUSH	
R3	CRANKCASE, LH	CRANKCASE, LH	MODEL V/W
R4	BUSH	BUSH	
R5	BUSH	BUSH	
R6	BUSH	BUSH	
R7	JOINT DE CARTER	GASKET, CRANKCASE	
R8	PIN	PIN	
R9	BOULON 6X80	BOLT (6X80)	
R10	BOULON 6X55	BOLT (6X55)	
R11	BOULON 6X45	BOLT (6X45)	
R12	BOULON 6X85	BOLT (6X85)	
R13	CARTER	COVER, GEAR BOX	MODEL V/W
R14	O RING,D:2.4,ID:161	O RING (D:2.4, ID:161)	
R15	BOULON	SCREW	
R16	PIN	PIN	
R17	BOULON	BOLT, OIL LEVEL	
R18	GASKET,8.2X14X1	GASKET	
R19	BOULON	BOLT, OIL DRAIN	
R20	GASKET,6.2X11X1.2	GASKET	
R21	CACHE	CAP, STARTER IDLE GEAR	
R22	BUSH	BUSH	
R23	BOULON	SCREW	
R24	PIN	PIN	
R25	PIPE ADMISSION	PIPE, INTAKE	<--13111-35E10
R25	PIPE INTAKE	PIPE, INTAKE	P18, P22, P39
R26	PLAQUE	PLATE, GEAR BOX	
R27	SCREW	SCREW	
R28	BOULON	BOLT	
R28	BOULON	BOLT	P18, P22, P39
R28A	BOULON	BOLT	P18, P22, P39
R29	CLAPET D'ADMISSION	VALVE ASSY, REED	
R29	VALVE AP50V/- P34 !!!!!!!!!!!!!	VALVE ASSY, REED	P34
R30	JOINT	GASKET	
R31	ENTRETOISE	SPACER, REED VALVE	
R32	RACCORD	CHECK VALVE, OIL HOSE	
R33	ATTACHE	CLAMP	
R34	PIECE	WASHER	
R35	GUIDE	SEPARATOR, RED VALVE	MOD X/Y P4,P26,P29,P34,P41,P53,P6

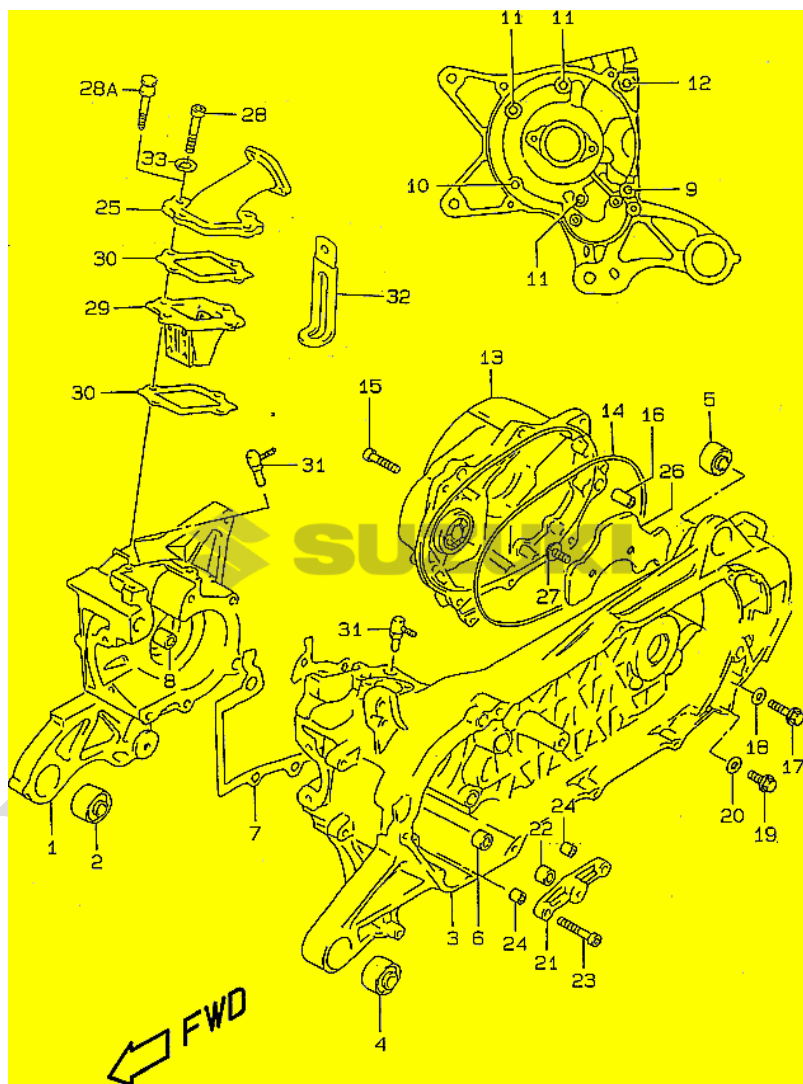
Suzuki AY 50 Katana CRANKCASE (MODEL AY50WR K1)



Ind	description1	description2	comment
R1	CARTER MOTEUR D.	CRANKCASE, RH	
R2	BUSH	BUSH	
R3	CARTER MOTEUR G.	CRANKCASE, LH	
R4	BUSH	BUSH	
R5	BUSH	BUSH	
R6	BUSH	BUSH	
R7	JOINT DE CARTER	GASKET, CRANKCASE	
R8	PIN	PIN	
R9	BOULON 6X80	BOLT (6X80)	
R10	BOULON 6X55	BOLT (6X55)	
R11	BOULON 6X45	BOLT (6X45)	
R12	BOULON 6X85	BOLT (6X85)	
R13	CARTER	COVER, GEAR BOX	
R14	O RING,D:2.4,ID:161	O RING (D:2.4, ID:161)	
R15	BOULON	SCREW	
R16	PIN	PIN	
R17	BOULON	BOLT, OIL LEVEL	
R18	GASKET,8.2X14X1	GASKET	
R19	BOULON	BOLT, OIL DRAIN	
R20	GASKET,6.2X11X1.2	GASKET	
R21	CACHE	CAP, STARTER IDLE GEAR	
R22	BUSH	BUSH	
R23	BOULON	SCREW	
R24	PIN	PIN	
R25	PIPE ADMISSION	PIPE, INTAKE	
R25	PIPE INTAKE	PIPE, INTAKE	P18, P22, P39
R26	PLAQUE	PLATE, GEAR BOX	
R27	SCREW	SCREW	
R28	BOULON	BOLT	P18, P22, P39
R28	BOULON	BOLT	P18, P22, P39
R28A	BOULON	BOLT	P18, P22, P39
R29	CLAPET D'ADMISSION	VALVE ASSY, REED	
R29	VALVE AP50/V- P34 !!!!!!!!!!!!!	VALVE ASSY, REED	P34
R30	JOINT	GASKET	
R31	ENTRETOISE	SPACER, REED VALVE	
R32	RACCORD	CHECK VALVE, OIL HOSE	
R33	ATTACHE	CLAMP	
R34	PIECE	WASHER	
R35	GUIDE	SEPARATOR, REED VALVE	P4, P26, P29, P34, P41, P53, P68

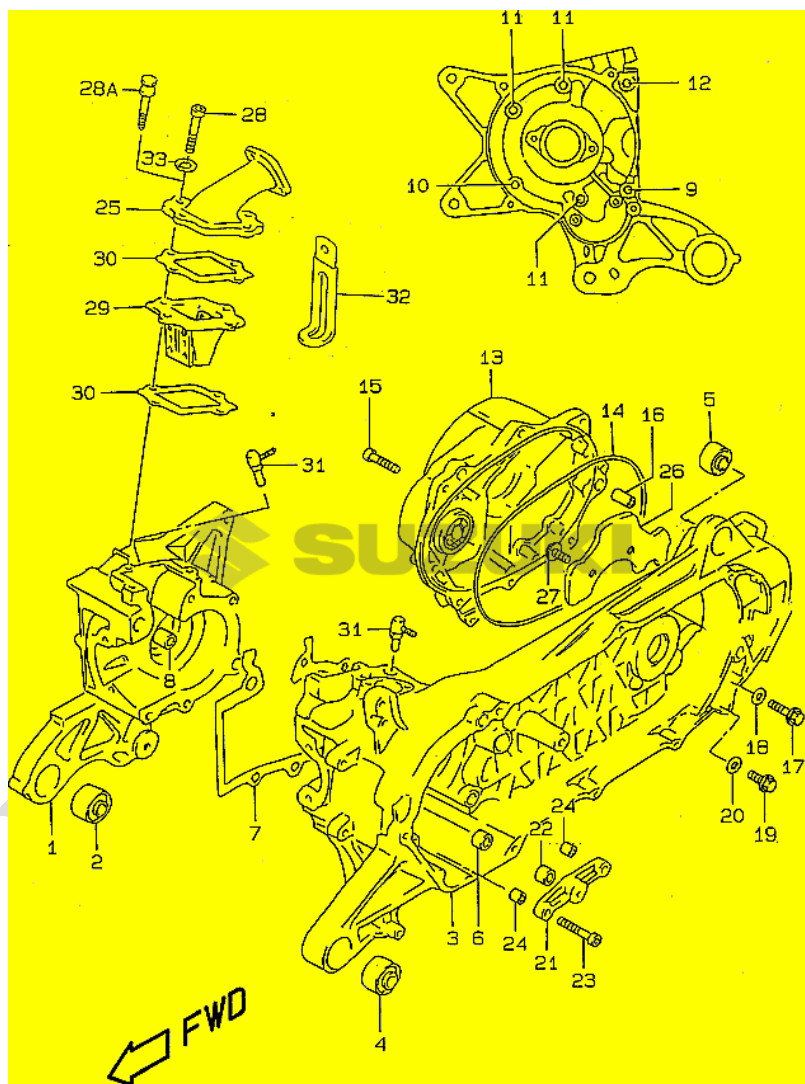


Suzuki AY 50 Katana CRANKCASE (MODEL AY50 V/W/X/Y)



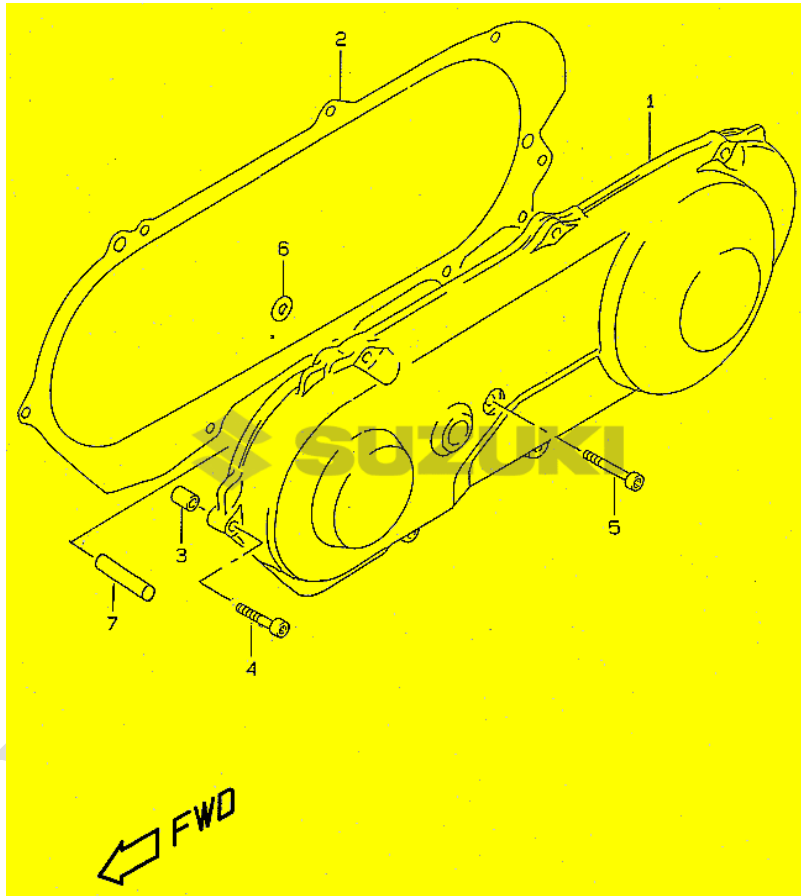
Ind	description1	description2	comment
R1	CARTER MOTEUR D.	CRANKCASE, RH	-->11311-10E21
R2	BUSH	BUSH	
R3	CARTER MOTEUR G.	CRANKCASE, LH	MODEL V/W
R4	BUSH	BUSH	
R5	BUSH	BUSH	
R6	BUSH	BUSH	
R7	JOINT DE CARTER	GASKET, CRANKCASE	
R8	PIN	PIN	
R9	BOULON 6X80	BOLT (6X80)	
R10	BOULON 6X55	BOLT (6X55)	
R11	BOULON 6X45	BOLT (6X45)	
R12	BOULON 6X85	BOLT (6X85)	
R13	CARTER	COVER, GEAR BOX	MODEL V/W
R14	O RING,D:2.4,ID:161	O RING (D:2.4, ID:161)	
R15	BOULON	SCREW	
R16	PIN	PIN	
R17	BOULON	BOLT, OIL LEVEL	
R18	GASKET,8.2X14X1	GASKET	
R19	BOULON	BOLT, OIL DRAIN	
R20	GASKET,6.2X11X1.2	GASKET	
R21	CACHE	CAP, STARTER IDLE GEAR	
R22	BUSH	BUSH	
R23	BOULON	SCREW	
R24	PIN	PIN	
R25	PIPE ADMISSION	PIPE, INTAKE	
R25	PIPE, INTAKE	PIPE, INTAKE	MODEL V P22, P39
R26	PLAQUE	PLATE, GEAR BOX	
R27	SCREW	SCREW	
R28	BOULON	BOLT	
R28	BOULON	BOLT	P18, P22, P39
R28A	BOLT	BOLT	MODEL V P22, P39
R29	CLAPET D'ADMISSION	VALVE ASSY, REED	
R29	VALVE AP50/V- P34 !!!!!!!!!!!!!	VALVE ASSY, REED	P34
R30	JOINT	GASKET	
R31	RACCORD	CHECK VALVE, OIL HOSE	
R32	ATTACHE	CLAMP	
R33	PIECE	WASHER	

### Suzuki AY 50 Katana CRANKCASE (MODEL AY50 K1)



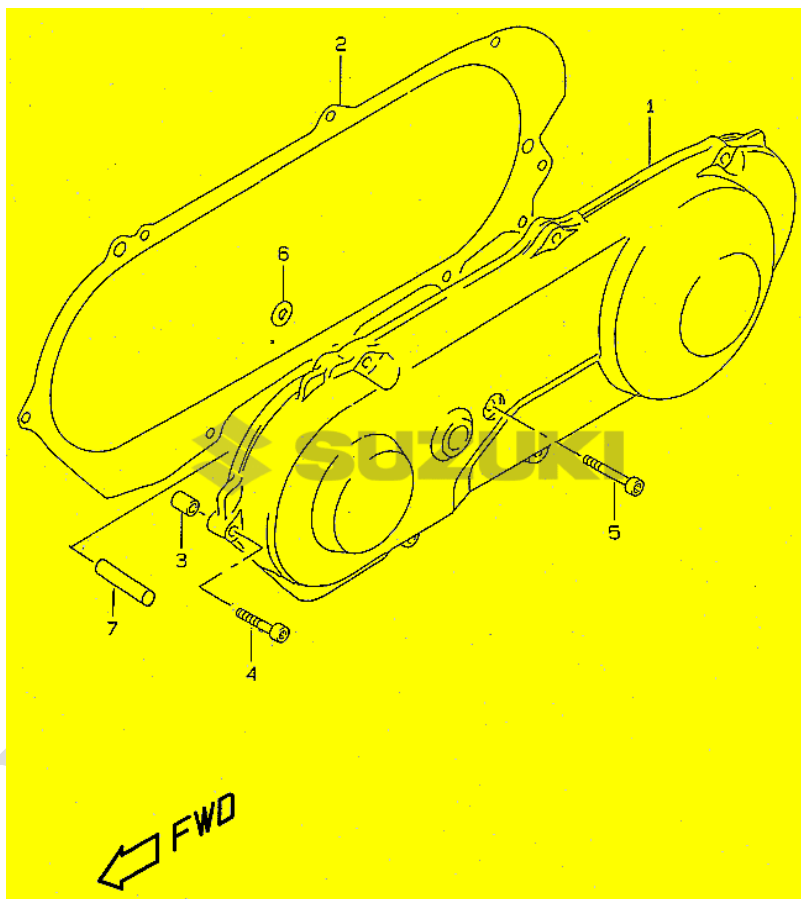
Ind	description1	description2	comment
R1	CARTER MOTEUR DROIT	CRANKCASE, RH	
R2	BUSH	BUSH	
R3	CRANKCASE AY50/X-	CRANKCASE, LH	P2, P22, P39
R3	CARTER MOTEUR G.	CRANKCASE, LH	
R4	BUSH	BUSH	
R5	BUSH	BUSH	
R6	BUSH	BUSH	
R7	JOINT DE CARTER	GASKET, CRANKCASE	
R8	PIN	PIN	
R9	BOULON 6X80	BOLT (6X80)	
R10	BOULON 6X55	BOLT (6X55)	
R11	BOULON 6X45	BOLT (6X45)	
R12	BOULON 6X85	BOLT (6X85)	
R13	CARTER	COVER, GEAR BOX	
R14	O RING,D:2.4,ID:161	O RING (D:2.4, ID:161)	
R15	BOULON	SCREW	
R16	PIN	PIN	
R17	BOULON	BOLT, OIL LEVEL	
R18	GASKET,8.2X14X1	GASKET	
R19	BOULON	BOLT, OIL DRAIN	
R20	GASKET,6.2X11X1.2	GASKET	
R21	CACHE	CAP, STARTER IDLE GEAR	
R22	BUSH	BUSH	
R23	BOULON	SCREW	
R24	PIN	PIN	
R25	PIPE ADMISSION	PIPE, INTAKE	
R25	PIPE, INTAKE AY50	PIPE, INTAKE	P22, P39
R26	PLAQUE	PLATE, GEAR BOX	
R27	SCREW	SCREW	
R28	BOULON	BOLT	
R28	BOULON	BOLT	P22, P39
R28A	BOULON	BOLT	P22, P39
R29	CLAPET D'ADMISSION	VALVE ASSY, REED	
R29	VALVE AP50/V- P34 !!!!!!!!!!!!!	VALVE ASSY, REED	P34
R30	JOINT	GASKET	
R31	RACCORD	CHECK VALVE, OIL HOSE	
R32	ATTACHE	CLAMP	
R33	PIECE	WASHER	

Suzuki AY 50 Katana CRANKCASE LH COVER (MODEL V/W/X/Y)



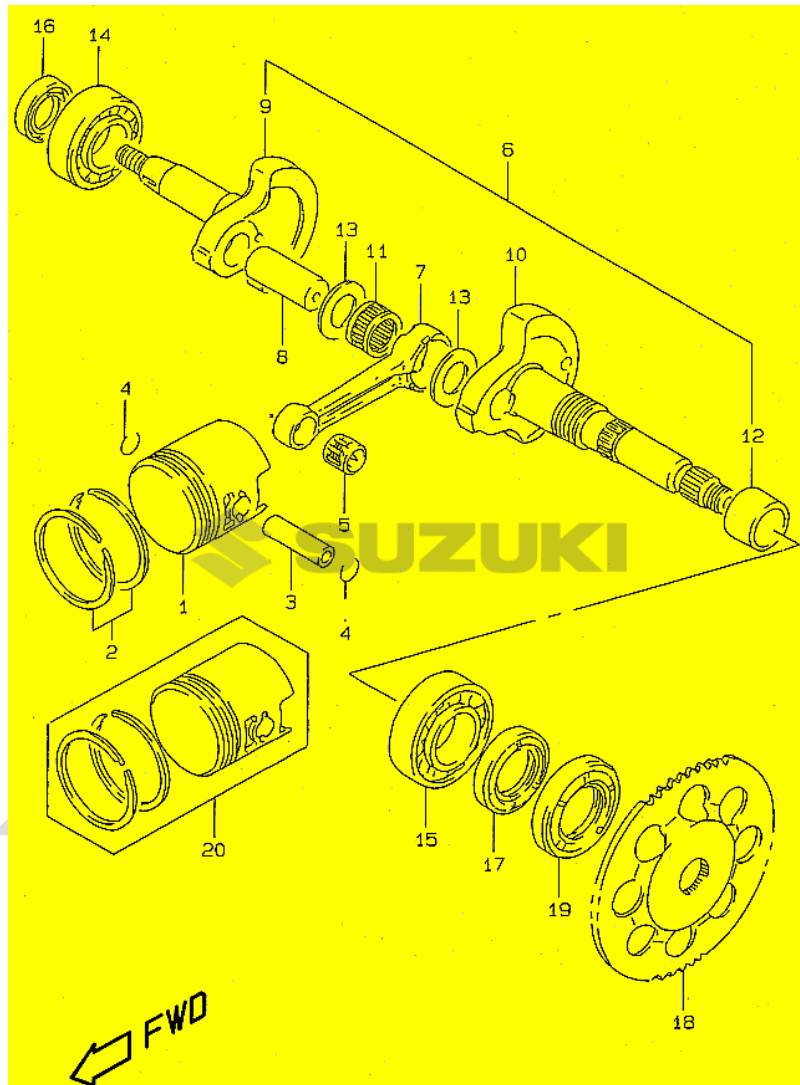
Ind	description1	description2	comment
R1	CARTER	COVER, CLUTCH	MODEL V/W
R2	JOINT D'EMBAYAGE	GASKET	
R3	PIN	PIN	
R4	BOULON	SCREW (6X25)	
R5	SCREW (6X40)	SCREW (6X40)	MODEL V/W
R6	GASKET 7X15X0.6	GASKET (7X15X0.6)	
R7	AXE	SHAFT KICK, DRIVEN GEAR	0

Suzuki AY 50 Katana CRANKCASE LH COVER (MODEL K1)



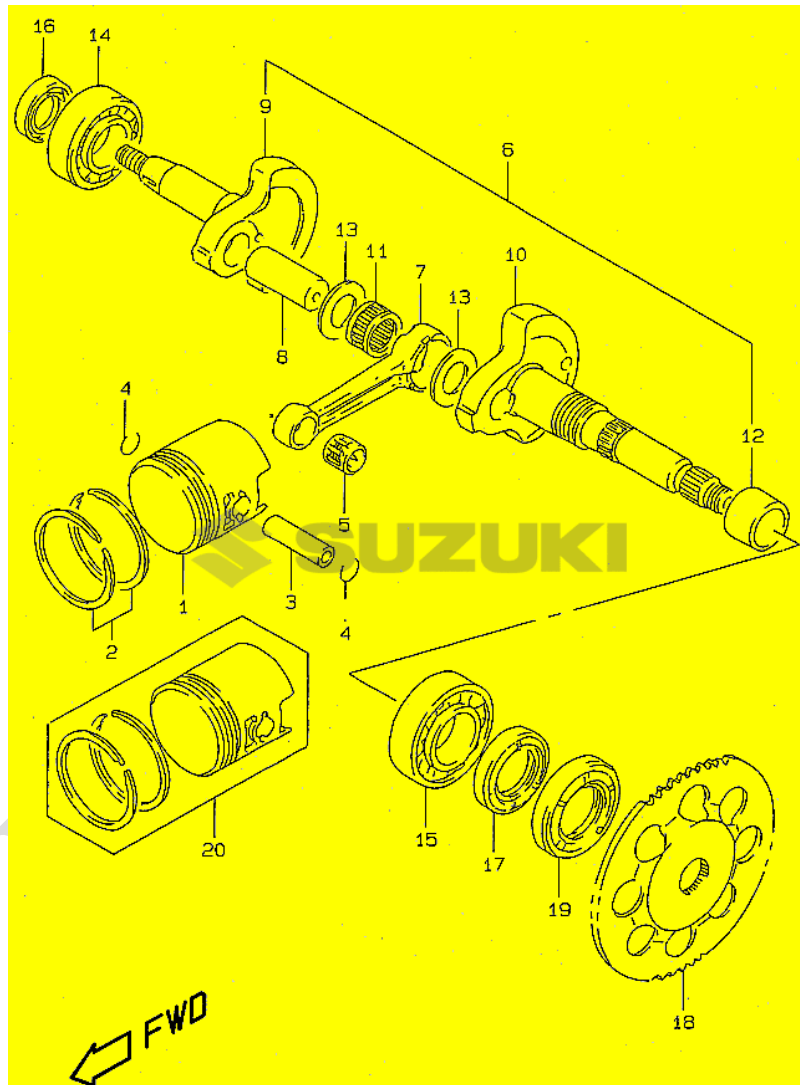
Ind	description1	description2	comment
R1	CARTER	COVER, CLUTCH	
R2	JOINT D'EMBAYAGE	GASKET	
R3	PIN	PIN	
R4	BOULON	SCREW (6X25)	
R5	BOULON 6X45	SCREW (6X45)	
R6	GASKET 7X15X0.6	GASKET (7X15X0.6)	
R7	AXE	SHAFT KICK, DRIVEN GEAR	

Suzuki AY 50 Katana CRANKSHAFT (MODEL AY50W/WR V/W/X/Y)



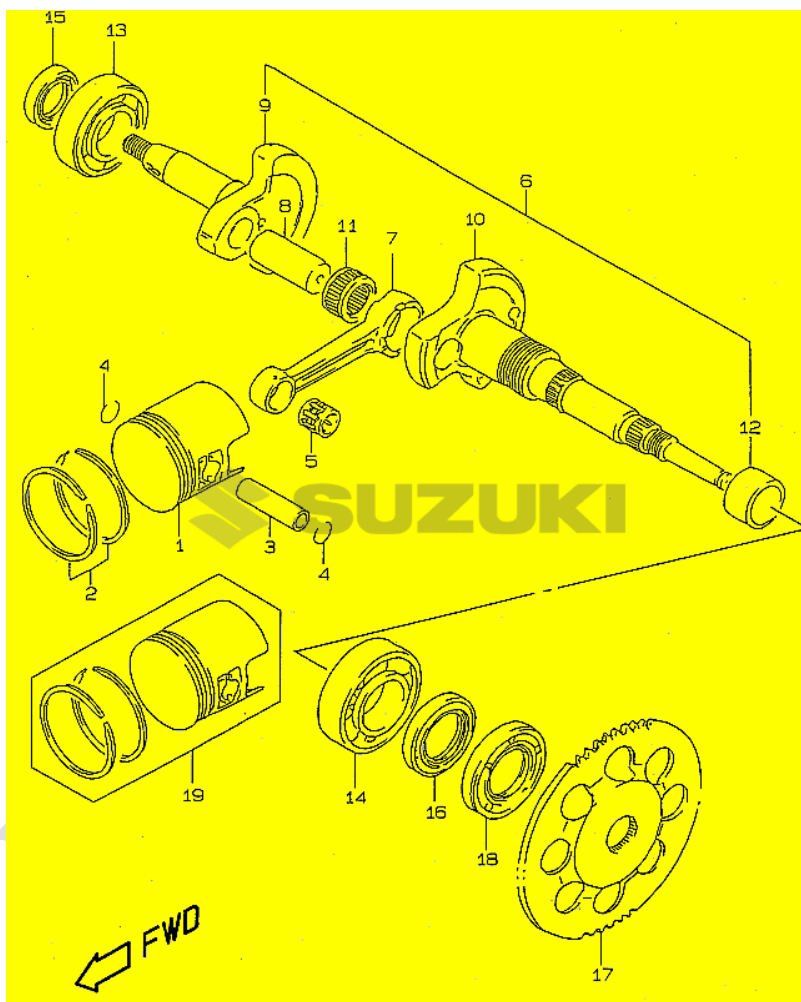
Ind	description1	description2	comment
R1	PISTON	PISTON	
R2	JEU DE SEGMENTS	RING SET, PISTON	
R3	PIN, PISTON	PIN, PISTON	<-- 12151-04700
R4	CIRCLIP	CIRCLIP	
R5	BEARING,PISTON PIN	BEARING, PISTON PIN	
R6	CRANKSHAFT ASSY	CRANKSHAFT ASSY	MODEL V/W
R7	ROD,CONNECTING	.ROD, CONNECTING	MODEL V/W
R8	MANETON	.PIN, CRANK	MODEL V/W
R9	MASSE	.CRANKSHAFT, RH	MODEL V/W
R10	MASSE GAUCHE AY50W/V&W	.CRANKSHAFT, LH	MODEL V/W
R11	BEARING,16X22X12	.BEARING (16X22X11.8)	MODEL V/W
R12	SPACER 18X24X14	.SPACER	
R13	WASHER 16X29X1	.WASHER (16X29X1)	MODEL V/W
R14	ROULEMENT	BEARING (20X47X14) RH	<--09262-20140
R15	ROULEMENT(25X52X13)	BEARING (25X52X13) LH	
R16	JOINT SPY 17X27X6	OIL SEAL (17X27X6) RH	

Suzuki AY 50 Katana CRANKSHAFT (MODEL AY50WR K1)



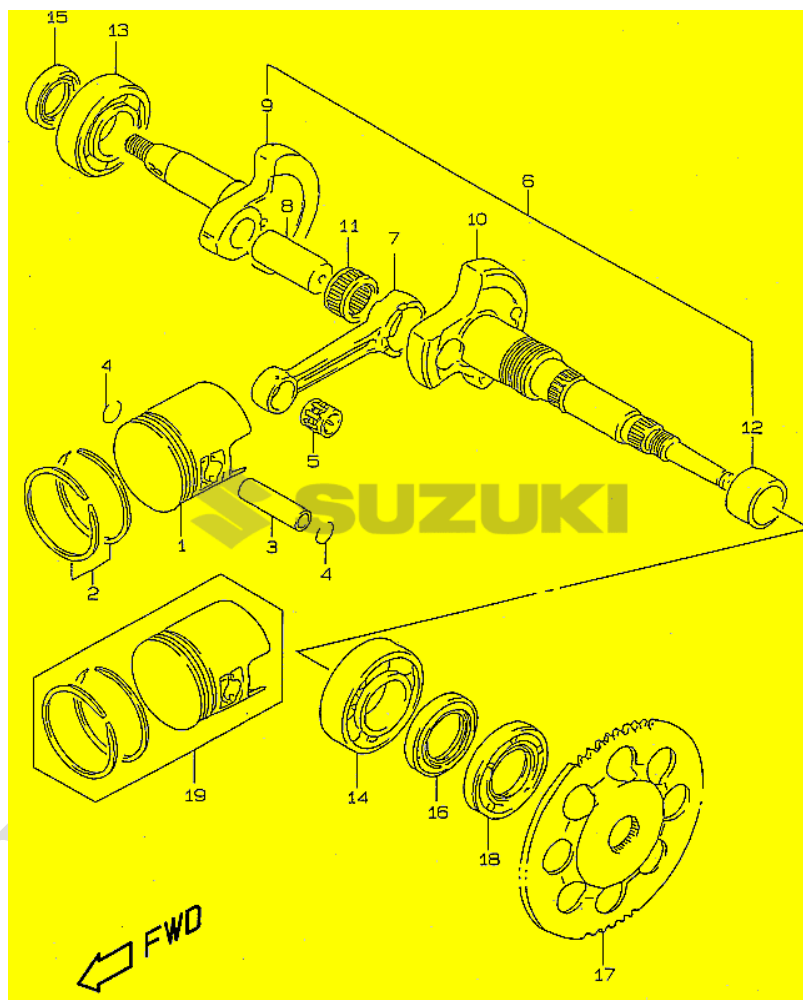
Ind	description1	description2	comment
R1	PISTON	PISTON	
R2	JEU DE SEGMENTS	RING SET, PISTON	
R3	PIN, PISTON	PIN, PISTON	<-- 12151-04700
R4	CIRCLIP	CIRCLIP	
R5	BEARING,PISTON PIN	BEARING, PISTON PIN	
R6	VILEBREQUIN	CRANKSHAFT ASSY	
R7	BIELLE	.ROD, CONNECTING	
R8	MANETON	.PIN, CRANK	
R9	MASSE	.CRANKSHAFT, RH	
R10	MASSE AY50W/X- UX50W	.CRANKSHAFT, LH	
R11	BEARING	.BEARING (18X22X11.8)	
R12	SPACER 18X24X14	.SPACER	
R13	WASHER 18X32X1	.WASHER (18.1X32X1)	
R14	ROULEMENT	BEARING (20X47X14) RH	
R15	ROULEMENT(25X52X13)	BEARING (25X52X13) LH	
R16	JOINT SPY 17X27X6	OIL SEAL (17X27X6) RH	
R17	JOINT SPY 25X37X6	OIL SEAL (25X37X6) LH	
R18	PIGNON	GEAR, STARTER	
R19	JOINT SPY 24X43X6	OIL SEAL (24X43X6)	
R20	KIT PISTON AY50W	PISTON SET (OS:0.5)	OPT
R20	KIT PISTON AY50W	PISTON SET (OS:1.0)	OPT

Suzuki AY 50 Katana CRANKSHAFT (MODEL AY50 V/W/X/Y)



Ind	description1	description2	comment
R1	PISTON	PISTON	
R2	JEU DE SEGMENTS	RING SET, PISTON	
R3	AXE DE PISTON	PIN, PLSTON	<--12151-03A00-0A0
R5	ROULEMENT	BEARING, PISTON PIN	<--09263-10017
R6	CRANKSHAFT ASSY	CRANKSHAFT ASSY	MODEL VW
R7	ROD, CONNECTING	.ROD, CONNECTING	MODEL VW
R8	MANETON	.PIN, CRANK	
R9	MASSE	.CRANKSHAFT, RH	
R10	MASSE GAUCHE AY50	.CRANKSHAFT, LH	MODEL VW
R11	BEARING,16X22X12	.BEARING (16X22X11.8)	
R12	SPACER 18X24X14	.SPACER	
R13	ROULEMENT	BEARING (20X47X14) RH	<--09262-20140
R14	ROULEMENT(25X52X13)	BEARING (25X52X13) LH	
R15	JOINT SPY 17X27X6	OIL SEAL (17X27X6) RH	
R16	JOINT SPY 25X37X6	OIL SEAL (25X37X6) LH	
R17	PIGNON	GEAR, STARTER	
R18	JOINT SPY 24X43X6	OIL SEAL (24X43X6)	
R19	PISTON AH50 ADRESS	PISTON SET (OS:0.5)	OPT
R19	KIT PISTON AH50 ADRESS	PISTON SET (OS:1.0)	OPT

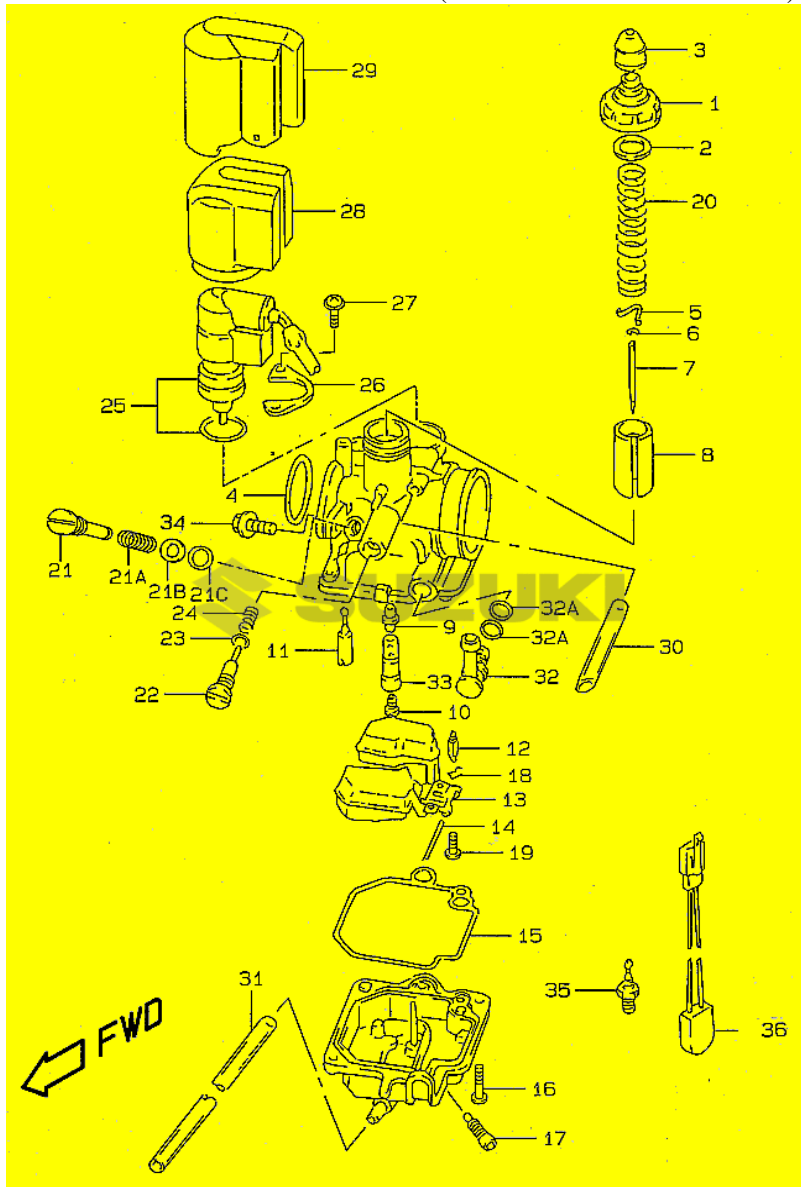
Suzuki AY 50 Katana CRANKSHAFT (MODEL AY50 K1)



Ind	description1	description2	comment
R1	PISTON	PISTON	
R2	JEU DE SEGMENTS	RING SET, PISTON	
R3	AXE DE PISTON	PIN, PLSTON	
R4	CIRCLIP	CIRCLIP	
R5	ROULEMENT	BEARING, PISTON PIN	
R6	VILEBREQUIN	CRANKSHAFT ASSY	P2, P22, P39
R6	VILEBREQUIN	CRANKSHAFT ASSY	
R7	BIELLE	.ROD, CONNECTING	
R8	MANETON	.PIN, CRANK	
R9	MASSE	.CRANKSHAFT, RH	
R10	MASSE GAUCHE AY50	.CRANKSHAFT, LH	P2, P22, P39
R10	MASSE GAUCHE	.CRANKSHAFT, LH	
R11	BEARING,16X22X12	.BEARING (16X22X11.8)	
R12	SPACER 18X24X14	.SPACER	
R13	ROULEMENT	BEARING (20X47X14) RH	
R14	ROULEMENT(25X52X13)	BEARING (25X52X13) LH	
R15	JOINT SPY 17X27X6	OIL SEAL (17X27X6) RH	
R16	JOINT SPY 25X37X6	OIL SEAL (25X37X6) LH	
R17	PIGNON	GEAR, STARTER	
R18	JOINT SPY 24X43X6	OIL SEAL (24X43X6)	
R19	PISTON AH50 ADRESS	PISTON SET (OS:0.5)	OPT
R19	KIT PISTON AH50 ADRESS	PISTON SET (OS:1.0)	OPT

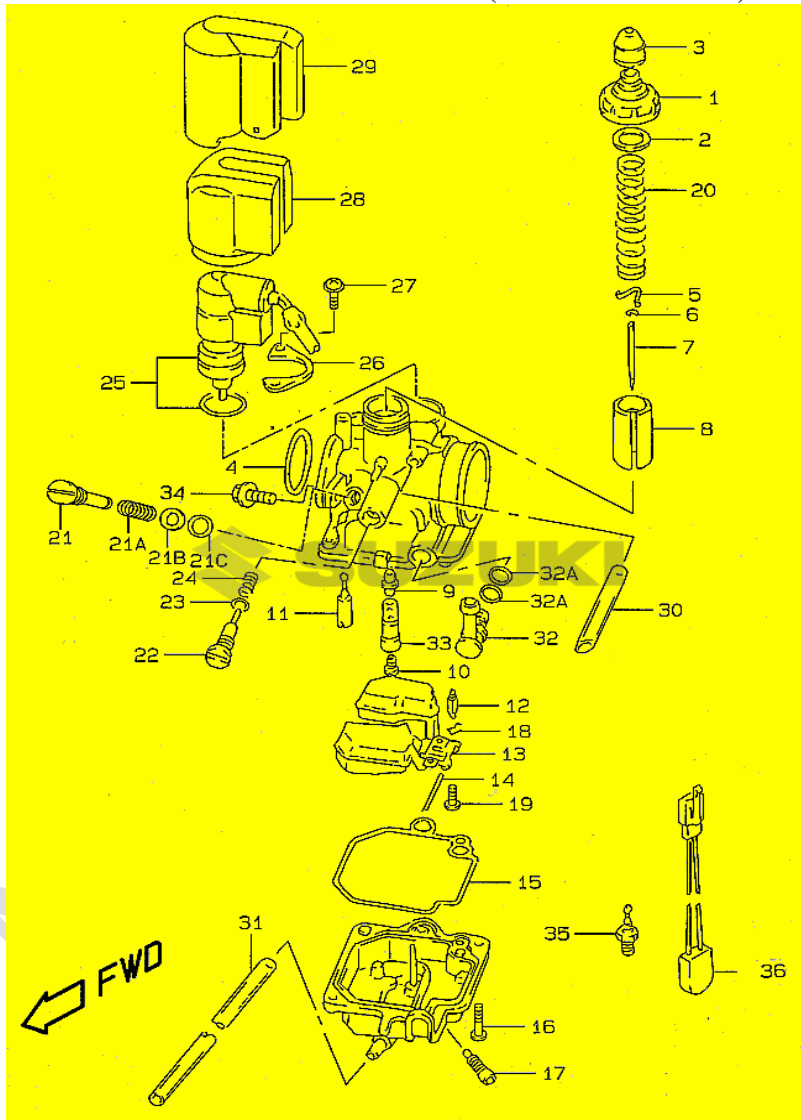


**Suzuki AY 50 Katana CARBURETOR (MODEL AY50W/WR V/W/X/Y)**



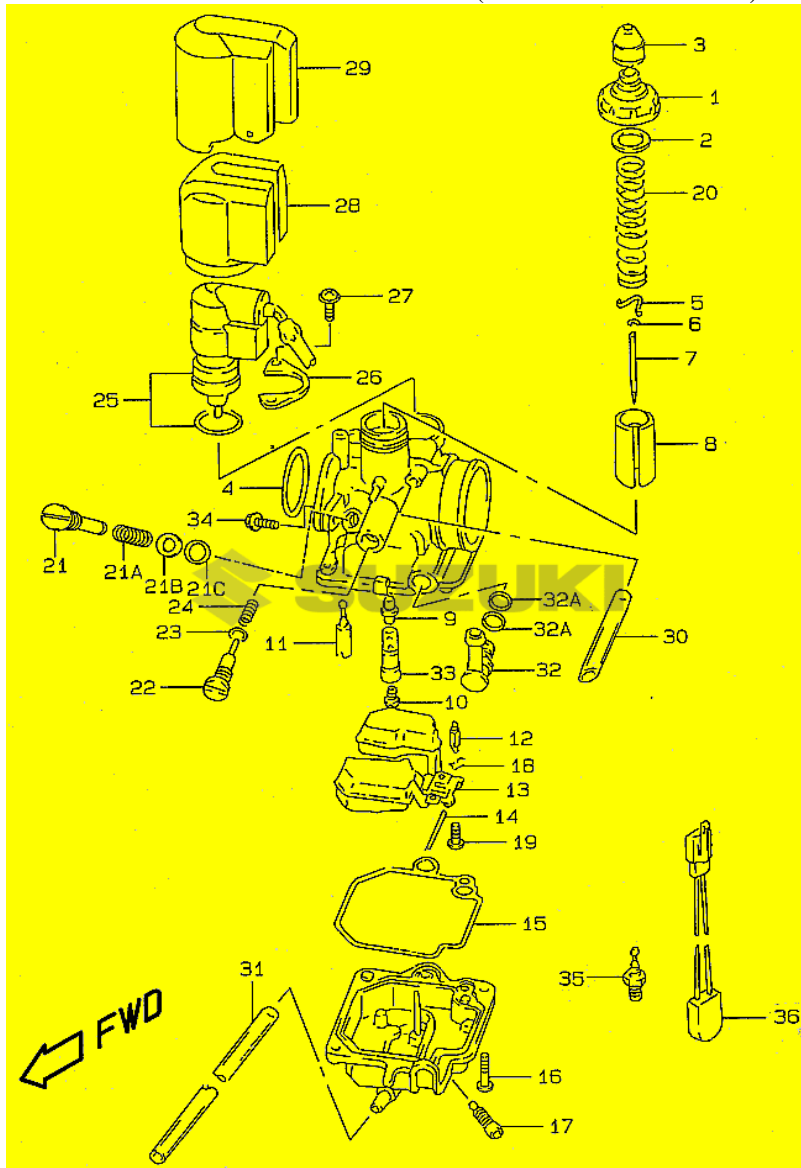
Ind	description1	description2	comment
R	CARBURATEUR	CARBURETOR ASSY	MODEL VW P26, P29, P41, P53
R	CARBURETOR ASSY	CARBURETOR ASSY	MODEL VW P22
R	PIECE	CARBURETOR ASSY	MODEL VW P34
R	CARBURATEUR	CARBURETOR ASSY	MODEL V P4
R	CARBURETOR ASSY	CARBURETOR ASSY	MODEL VW P2
R1	CHAPEAU	.TOP	
R2	JOINT	.GASKET	
R3	CHAPEAU	.CAP	
R4	JOINT THORIQUE	.O RING	
R5	AGRAPHE	.PLATE	
R6	AGRAPHE	.CLIP, NEEDLE	
R7	AIGUILLE *	.JET NEEDLE (N4WA)	P4, P26, P29, P41, P53, P68
R7	JET NEEDLE	.JET NEEDLE (N4VJ)	P22
R7	AIGUILLE	.JET NEEDLE (N4TH)	MODEL V P4
R7	JET NEEDLE	.JET NEEDLE (N4VJ)	MODEL VW P34
R8	BOISSEAU	.VALVE, PISTON	
R9	GICLEUR D'AIGUILLE	.NEEDLE JET (5.5)	
R9	NEEDLE YET	.NEEDLE JET (5.5)	MODEL VW P34
R10	JET,MAIN,60	.JET,MAIN (60)	P4, P26, P29, P41, P53, P68
R10	JET,MAIN,60	.JET,MAIN (60)	MODEL VW P2
R10	GICLEUR 550	.JET, MAIN (55)	P22
R10	GICLEUR AY 50 W/W	.JET, MAIN (58)	MODEL V P4
R10	GICLEUR 550	.JET, MAIN (55)	MODEL VW P34
R11	GICLEUR	.JET, PILOT (48)	P4, P26, P29, P41, P53, P68
R11	GICLEUR	.JET, PILOT (45)	P2
R11	GICLEUR	.JET, PILOT (42)	P22
R11	GICLEUR	.JET, PILOT (42)	MODEL V P4
R11	GICLEUR	.JET, PILOT (48)	MODEL VW P34
R12	POINTEAU	.VALVE ASSY, FLOAT	
R13	FLOTTEUR	.FLOAT ASSY	
R14	AXE	.PIN, FLOAT	
R15	JOINT	.GASKET	
R16	VIS	.SCREW	
R17	VIS	.SCREW, DRAIN	
R18	CLIP	.CLIP	
R19	VIS	.SCREW	
R20	RESSORT	.SPRING	
R21	VIS	.ADJUSTER (1 1/2)	MODEL VW P4, P26, P29, P41, P53
R21	VIS	.ADJUSTER (1 3/8)	P2
R21	VIS	.ADJUSTER (1 1/4)	P22
R21	VIS	.ADJUSTER (1 1/2)	MODEL VW P34
R21A	RESSORT	.SPRING, AIR SCREW	
R21B	RONDELLE	.WASHER	
R21C	JOINT	.O.RING	
R22	VIS	.SCREW, STOP	
R23	JOINT THORIQUE	.O RING	
R24	JOINT THORIQUE	.SPRING	
R25	SONDE	.ELEMENT ASSY, THERMO	MODEL VW P4, P22, P26, P34, P39,
R25	ELEMENT ASSY, THERMO	.ELEMENT ASSY, THERMO	MODEL VW P2
R26	PLATE AY50W/V&W	.PLATE	MODEL VW
R27	SCREW	.SCREW	MODEL VW
R28	COUVERCLE	.COVER	MODEL VW
R29	CAP, OUTER AY50W/V&W	.CAP, OUTER	MODEL VW
R30	DURIT	.HOSE	
R31	DURIT	.HOSE	
R32	RACCORD	.JOINT	
R32A	JOINT	.O. RING	
R33	DIFFUSEUR	.HOLDER, JET	
R34	BOULON	BOLT	
R35	CONTACTEUR	HEATER, CARBURETOR	P2, P18, P39, P68
R35	CONTACTEUR	HEATER, CARBURETOR	OPT P4, P22, P26, P29, P34, P41,
R36	THERMO-SONDE	THERMOSWITCH, CARBURETOR HEATE	P2, P18, P39, P68
R36	THERMO-SONDE	THERMOSWITCH, CARBURETOR HEATE	OPT P4, P22, P26, P29, P34, P41,

**Suzuki AY 50 Katana CARBURETOR (MODEL AY50WR K1)**



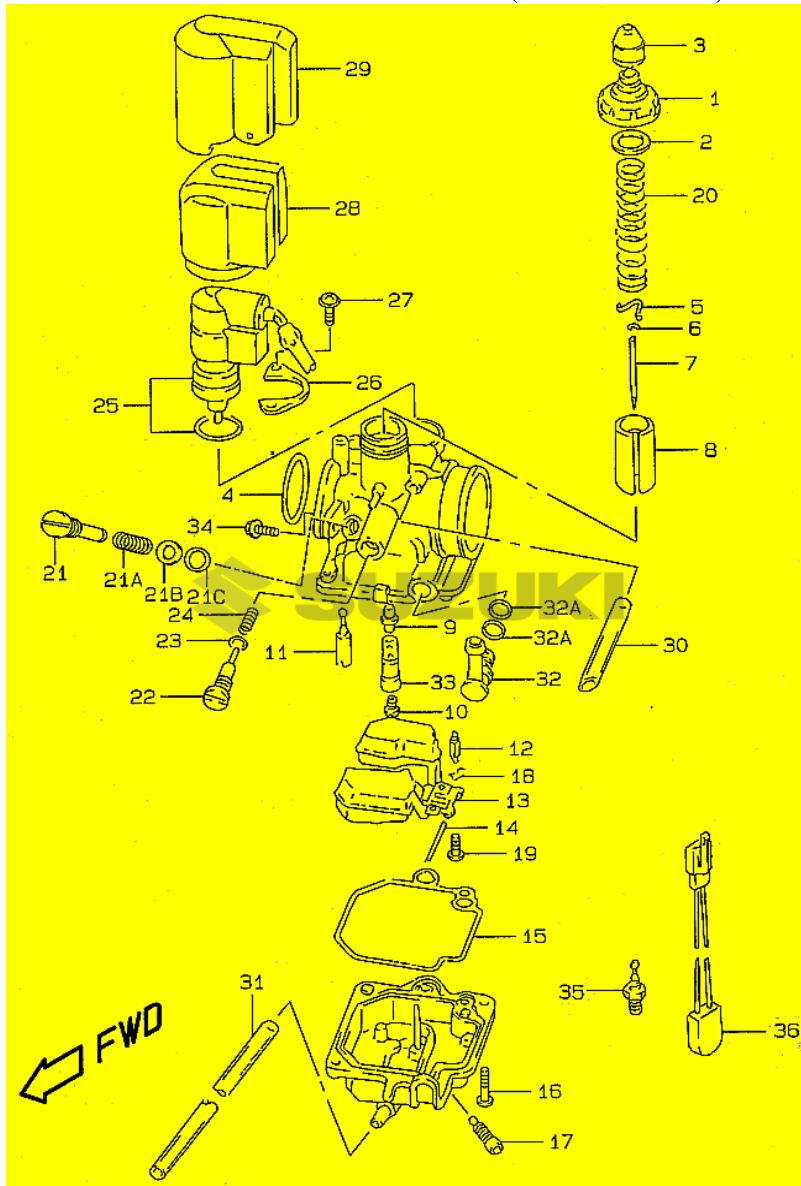
Ind	description1	description2	comment
R	CARBURETOR ASSY	CARBURETOR ASSY	P2
R	CARBURETOR AY50WR/K1-	CARBURETOR ASSY	P22
R	CARBURETOR ASSY	CARBURETOR ASSY	P4, P26, P29, P41, P53, P68
R	PIECE	CARBURETOR ASSY	P34
R	PIECE	CARBURETOR ASSY	P34
R	CARBURETOR ASSY	CARBURETOR ASSY	P39
R	CARBURETOR ASSY	CARBURETOR ASSY	P18
R1	CHAPEAU	.TOP	
R2	JOINT	.GASKET	
R3	CHAPEAU	.CAP	
R4	JOINT THORIQUE	.O RING	
R5	AGRAPHE	.PLATE	
R6	AGRAPHE	.CLIP, NEEDLE	
R7	AIGUILLE *	.JET NEEDLE (N4WA)	P4, P26, P29, P41, P53, P68
R7	JET,NEEDLE	.JET NEEDLE (6LQJ)	P34
R7	AIGUILLE	.JET NEEDLE (N5GJ)	P18, P22
R8	BOISSEAU	.VALVE, PISTON	
R8	PIECE	.VALVE, PISTON	P34, P18
R9	GICLEUR D'AIGUILLE	.NEEDLE JET (5.5)	
R10	JET,MAIN,60	.JET, MAIN (60)	P4, P26, P29, P41, P53, P68
R10	JET,MAIN,68	.JET, MAIN (68)	P2
R10	GICLEUR 550	.JET, MAIN (55)	P18
R10	JET #62 AY50WR/K1-	.JET, MAIN (62)	P22
R10	GICLEUR	.JET, MAIN (65)	P34
R11	GICLEUR	.JET, PILOT (48)	P4, P26, P29, P41, P53, P68
R11	GICLEUR	.JET, PILOT (45)	P2, P22, P34
R11	JET	.JET, PILOT (35X35)	P18
R12	POINTEAU	.VALVE ASSY, FLOAT	
R13	FLOTTEUR	.FLOAT ASSY	
R14	AXE	.PIN, FLOAT	
R15	JOINT	.GASKET	
R16	VIS	.SCREW	
R17	VIS	.SCREW, DRAIN	
R18	CLIP	.CLIP	
R19	VIS	.SCREW	
R20	RESSORT	.SPRING	
R21	VIS	.ADJUSTER (1 3/4)	P4, P26, P29, P41, P53, P68
R21	VIS	.ADJUSTER (1 3/8)	P2
R21	VIS	.ADJUSTER (1 1/2)	P22
R21	VIS	.ADJUSTER (1 1/8)	P34
R21	VIS	.ADJUSTER ( 3/8)	P18
R21A	RESSORT	.SPRING, AIR SCREW	
R21B	RONDELLE	.WASHER	
R21C	JOINT	.O. RING	
R22	VIS	.SCREW, STOP	
R23	JOINT THORIQUE	.O RING	
R24	JOINT THORIQUE	.SPRING	
R25	SONDE	.ELEMENT ASSY, THERMO	P2
R25	ELEMENT ASSY,THE	.ELEMENT ASSY, THERMO	P18
R25	SONDE DE STARTER	.ELEMENT ASSY, THERMO	P4, P26, P29, P41, P53, P68
R25	SONDE DE STARTER	.ELEMENT ASSY, THERMO	P22, P34
R26	PLAQUE	.PLATE	
R27	SCREW	.SCREW	<--13601-43E00
R28	COUVERCLE	.COVER	
R28	CHAPEAU INTERNE	.COVER	P22
R29	CAPUCHON	.CAP, OUTER	
R29	CHAPEAU EXTERNE	.CAP, OUTER	P22
R30	DURIT	.HOSE	
R31	DURIT	.HOSE	
R32	RACCORD	.JOINT	
R32A	JOINT	.O. RING	
R33	DIFFUSEUR	.HOLDER, JET	
R34	BOULON	.BOLT	
R35	CONTACTEUR	.HEATER, CARBURETOR	P2, P18, P39, P68
R35	CONTACTEUR	.HEATER, CARBURETOR	OPT P4, P22, P26, P29, P34, P41,
R36	THERMO-SONDE	.THERMOSWITCH, CARBURETOR HEATE	P2, P18, P39, P68
R36	THERMO-SONDE	.THERMOSWITCH, CARBURETOR HEATE	OPT P4, P22, P26, P29, P34, P41,

Suzuki AY 50 Katana CARBURETOR (MODEL AY50 V/W/X/Y)



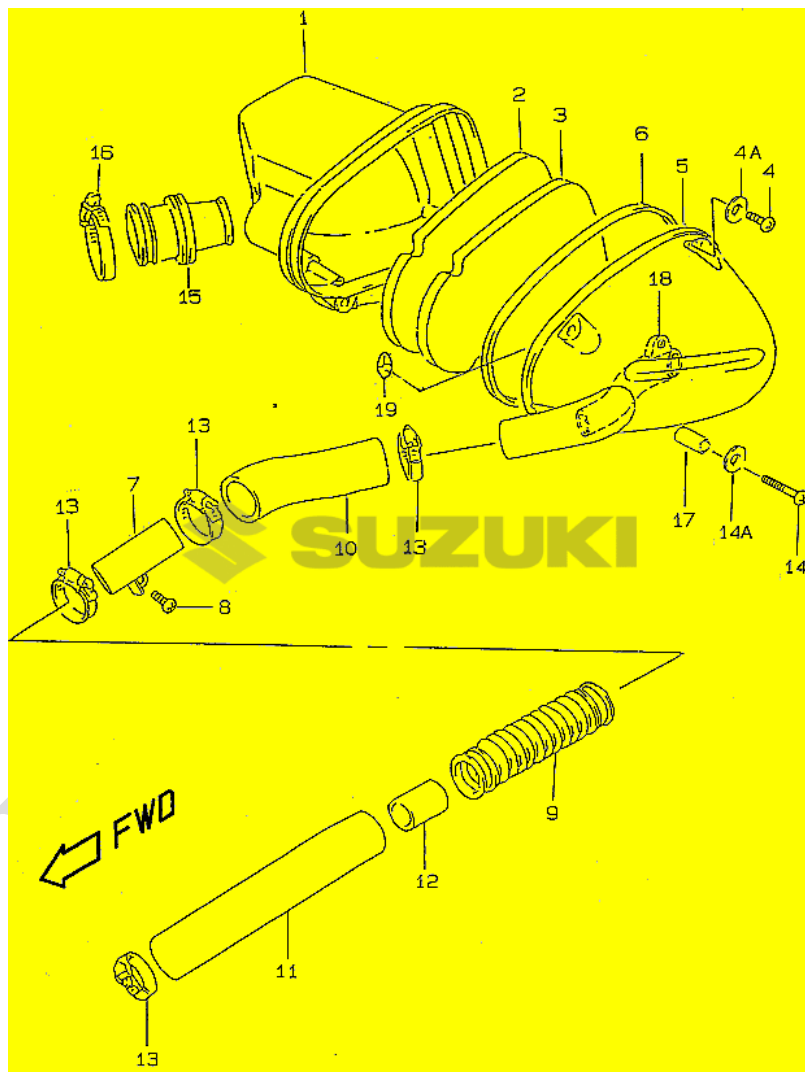
Ind	description1	description2	comment
R	CARBURATEUR	CARBURETOR ASSY	MODEL V/W P26, P29, P41, P53
R	CARBURETOR ASSY	CARBURETOR ASSY	MODEL V/W P2
R	CARBURATEUR	CARBURETOR ASSY	MODEL V P4
R	CARBURETOR ASSY	CARBURETOR ASSY	MODEL V/W P22
R	CARBURETOR ASSY	CARBURETOR ASSY	MODEL V/W P34
R	CARBURETOR ASSY	CARBURETOR ASSY	MODEL V/W P39
R1	CHAPEAU	.TOP	
R2	JOINT	.GASKET	
R3	CHAPEAU	.CAP	
R4	JOINT THORIQUE	.O RING	
R5	AGRAPHE	.PLATE	
R6	AGRAPHE	.CLIP, NEEDLE	
R7	AIGUILLE *	.JET NEEDLE (N4WA)	P2, P26, P29, P41, P53, P68
R7	JET NEEDLE	.JET NEEDLE (N4VJ)	P22
R7	JET NEEDLE	.JET NEEDLE (N4VJ)	MODEL V/W P34
R7	AIGUILLE	.JET NEEDLE (N4TH)	MODEL V P4
R7	AIGUILLE	.JET NEEDLE (N5GJ)	P39
R8	BOISSEAU	.VALVE, PISTON	
R9	GICLEUR D'AIGUILLE	.NEEDLE JET (5.5)	
R9	NEEDLE YET	.NEEDLE JET (5.5)	MODEL V/W P34
R10	JET,MAIN,60	.JET, MAIN (60)	P2
R10	GICLEUR 550	.JET, MAIN(55)	P22, P39
R10	GICLEUR AY 50 W/W	.JET,MAIN (58)	MODEL V P4
R10	JET,MAIN,60	.JET,MAIN (60)	MODEL V/W P26, P29, P41, P53
R10	GICLEUR 550	.JET, MAIN(55)	MODEL V/W P34
R11	GICLEUR	.JET,PILOT (45)	P2, P34
R11	GICLEUR	.JET, PILOT (42)	P22
R11	JET	JET, PILOT (35X35)	P39
R11	GICLEUR	.JET, PILOT (42)	MODEL V P4
R11	GICLEUR	.JET,PILOT (45)	MODEL V/W P26, P29, P41, P53
R12	POINTEAU	.VALVE ASSY, FLOAT	
R13	FLOTTEUR	.FLOAT ASSY	
R14	AXE	.PIN, FLOAT	
R15	JOINT	.GASKET	
R16	VIS	.SCREW	
R17	VIS	.SCREW,DRAIN	
R18	CLIP	.CLIP	
R19	VIS	.SCREW	
R20	RESSORT	.SPRING	
R21	VIS	.ADJUSTER (1 3/8)	MODEL V/W P2, P26, P29, P41, P53
R21	VIS	.ADJUSTER (1 3/4)	MODEL V P4
R21	VIS	.ADJUSTER (1 1/4)	P22
R21	VIS	.ADJUSTER (1 3/4)	MODEL V/W P34
R21	VIS	.ADJUSTER ( 3/8)	P39
R21A	RESSORT	.SPRING, AIR SCREW	
R21B	RONDELLE	.WASHER	
R21C	JOINT	.O.RING	
R22	VIS	.SCREW, STOP	
R23	JOINT THORIQUE	.O RING	
R24	JOINT THORIQUE	.SPRING	
R25	SONDE	.ELEMENT ASSY, THERMO	MOD.V/W P2,P4,P22,P26,P29,P34
R25	ELEMENT ASSY,THE	.ELEMENT ASSY, THERMO	MODEL V/W P39
R25	SONDE DE STARTER	.ELEMENT ASSY, THERMO	M.X/Y P4,P26,P29,P34,P41,P53,P68
R26	PLATE AY50W/V&W	.PLATE	MODEL V/W
R27	SCREW	.SCREW	MODEL V/W
R28	COUVERCLE	.COVER	MODEL V/W
R29	CAP, OUTER AY50W/V&W	.CAP, OUTER	MODEL V/W
R29	CAP, OUTER	.CAP, OUTER	MODEL V/W P39
R30	DURIT	.HOSE	
R31	DURIT	.HOSE	
R32	RACCORD	.JOINT	
R32A	JOINT	.O. RING	
R33	DIFFUSEUR	.HOLDER, JET	
R34	BOULON	BOLT	
R35	CONTACTEUR	HEATER, CARBURETOR	P2, P18, P39, P68
R35	CONTACTEUR	HEATER, CARBURETOR	OPT P4,P22,P26,P29,P34,P39,P41,P5
R36	THERMO-SONDE	THERMOSWITCH, CARBURETOR HEATE	P2, P18, P39, P68
R36	THERMO-SONDE	THERMOSWITCH, CARBURETOR HEATE	OPT P4,P22,P26,P29,P34,P39,P41,P5

**Suzuki AY 50 Katana CARBURETOR (MODEL AY50 K1)**



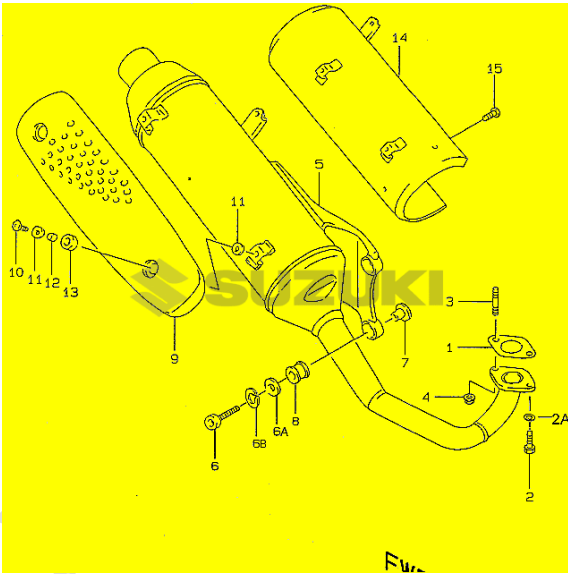
Ind	description1	description2	comment
R	CARBURETOR ASSY	CARBURETOR ASSY	P2
R	CARBURETOR AY50/K1-	CARBURETOR ASSY	P22
R	CARBURATEUR	CARBURETOR ASSY	P4, P26, P29, P41, P53, P68
R	PIECE	CARBURETOR ASSY	P34
R	CARBURETOR ASSY	CARBURETOR ASSY	P39
R1	CHAPEAU	.TOP	
R2	JOINT	.GASKET	
R3	CHAPEAU	.CAP	
R4	JOINT THORIQUE	.O RING	
R5	AGRAPHE	.PLATE	
R6	AGRAPHE	.CLIP, NEEDLE	
R7	AIGUILLE *	.JET NEEDLE (N4WA)	P2, P26, P29, P41, P53, P68
R7	AIGUILLE *	.JET NEEDLE (N4WA)	P4
R7	JET,NEEDLE	.JET NEEDLE (6LQJ)	P34
R7	AIGUILLE	.JET NEEDLE (N5GJ)	P22, P39
R8	BOISSEAU	.VALVE, PISTON	
R8	BOISSEAU	.VALVE, PISTON	P34
R9	GICLEUR D'AIGUILLE	.NEEDLE JET (5.5)	
R9	NEEDLE YET	.NEEDLE JET (5.5)	P22
R10	JET,MAIN,60	.JET, MAIN (60)	P2
R10	GICLEUR 550	.JET, MAIN(55)	P39
R10	GICLEUR	.JET,MAIN (70)	P4, P26, P29, P41, P53, P68
R10	GICLEUR	.JET, MAIN(65)	P22, P34
R11	GICLEUR	.JET,PILOT (45)	P2, P34
R11	JET, SLOW,40	.JET,PILOT (40)	P22
R11	JET	.JET, PILOT (35X35)	P39
R11	GICLEUR	.JET,PILOT (48)	P4, P26, P29, P41, P53, P68
R12	POINTEAU	.VALVE ASSY, FLOAT	
R13	FLOTTEUR	.FLOAT ASSY	
R14	AXE	.PIN, FLOAT	
R15	JOINT	.GASKET	
R16	VIS	.SCREW	
R17	VIS	.SCREW,DRAIN	
R18	CLIP	.CLIP	
R19	VIS	.SCREW	
R20	RESSORT	.SPRING	
R21	VIS	.ADJUSTER (1 1/4)	P4, P26, P29, P41, P53, P68
R21	VIS	.ADJUSTER (1 3/8)	P2
R21	VIS	.ADJUSTER (1 3/4)	P22
R21	VIS	.ADJUSTER (1 1/8)	P34
R21	VIS	.ADJUSTER ( 3/8)	P39
R21A	RESSORT	.SPRING, AIR SCREW	
R21B	RONDELLE	.WASHER	
R21C	JOINT	.O RING	
R22	VIS	.SCREW, STOP	
R23	JOINT THORIQUE	.O RING	
R24	JOINT THORIQUE	.SPRING	
R25	SONDE	.ELEMENT ASSY, THERMO	P2
R25	SONDE DE STARTER	.ELEMENT ASSY, THERMO	P4, P26, P22, P29, P34, P41, P53,
R25	ELEMENT ASSY,THE	.ELEMENT ASSY, THERMO	P39
R26	PLAQUE	.PLATE	
R27	SCREW	.SCREW	<--13601-43E00
R28	COUVERCLE	.COVER	
R28	CHAPEAU INTERNE	.COVER	P22
R29	CHAPEAU EXTERNE	.CAP, OUTER	P22
R29	CAPUCHON	.CAP, OUTER	P39
R30	DURIT	.HOSE	
R31	DURIT	.HOSE	
R32	RACCORD	.JOINT	
R32A	JOINT	.O RING	
R33	DIFFUSEUR	.HOLDER, JET	
R34	BOULON	BOLT	
R35	CONTACTEUR	HEATER, CARBURETOR	P2, P18, P39, P68
R35	CONTACTEUR	HEATER, CARBURETOR	OPT P4,P22,P26,P29,P34,P39,P41,P5
R36	THERMO-SONDE	THERMOSWITCH, CARBURETOR HEATE	P2, P18, P39, P68
R36	THERMO-SONDE	THERMOSWITCH, CARBURETOR HEATE	OPT P4,P22,P26,P29,P34,P39,P41,P5

### Suzuki AY 50 Katana AIR CLEANER



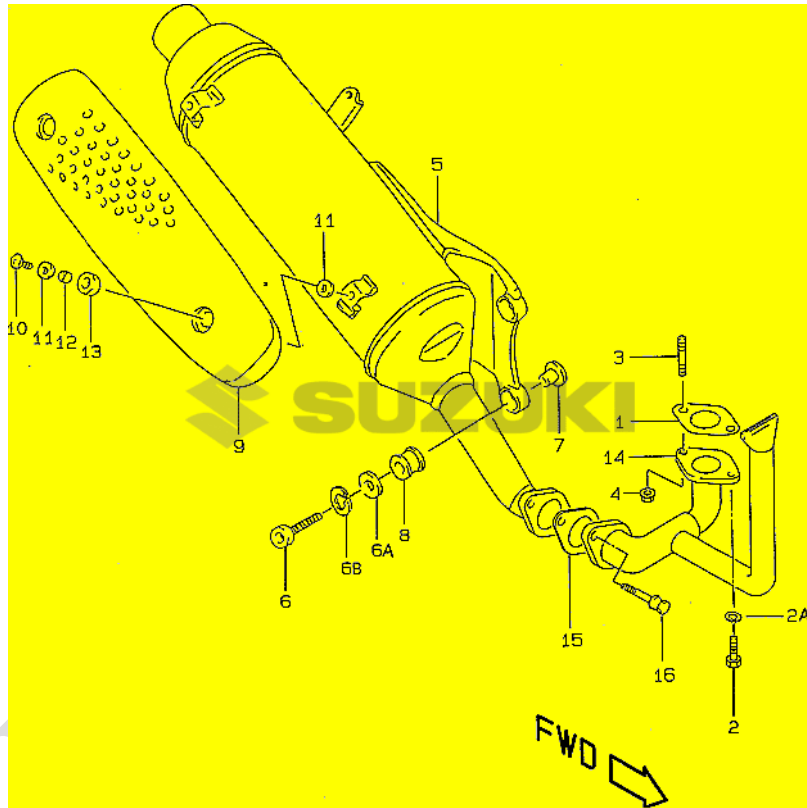
Ind	description1	description2	comment
R1	CASE, AIR CLEANER	CASE, AIR CLEANER	-->13721-02E01-NE2
R2	ELEMENT	FILTER, AIR NO. 1	
R3	ELEMENT	FILTER, AIR NO. 2	
R4	VIS	SCREW	
R4A	RONDELLE UF50	WASHER	
R5	COUVERCLE	CAP, AIR CLEANER	
R6	JOINT	. GASKET	
R7	PIPE, INLET NO.1	PIPE, INLET NO.1	-->13890-02E01-E0Z
R8	VIS	BOLT	
R9	RACCORD C/C	TUBE, INLET NO.2	
R10	RACCORD	HOSE, INLET NO.1	
R11	RACCORD	HOSE, INLET NO.2	
R12	ENTRETOISE	PIPE, INLET NO.2	
R13	BILLE	CLAMP	
R14	VIS	BOLT	
R14A	RONDELLE UF50	WASHER	
R15	RACCORD	TUBE, OUTLET	
R16	JEU PRINCIPAL	CLAMP	
R17	ENTRETOISE AY50	SPACER (10X6.2X18.5)	
R18	TUBE	TUBE, INLET	MODEL V/W
R19	CLIP	CLIP	0

Suzuki AY 50 Katana MUFFLER ( MODEL V, MODEL W EXCEPT P4)



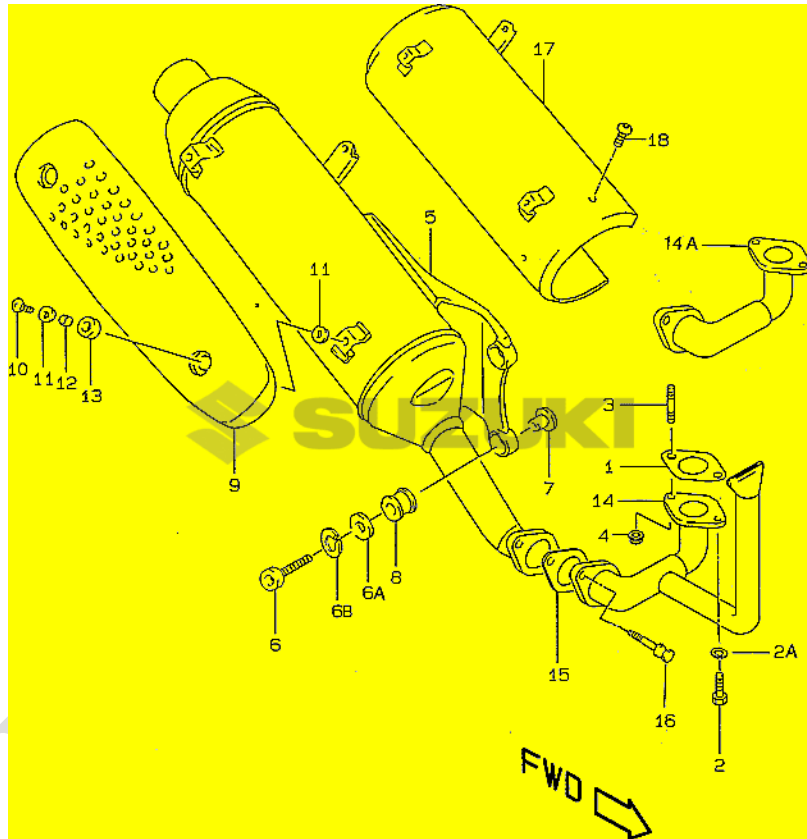
Ind	description1	description2	comment
R1	JOINT	GASKET, EXHAUST PIPE	
R2	BOULON	BOLT	
R2A	RONDELLE	WASHER	
R3	STUD 6X16	STUD BOLT	
R4	ECROU	NUT	
R5	BODY MUFFLER	BODY, MUFFLER	MODEL AY50 V P29, P41, P53
R5	BODY MUFFLER	BODY, MUFFLER	MODEL AY50W V P29, P41, P53
R5	BODY MUFFLER	BODY, MUFFLER	MODEL AY50 V P2
R5	MUFFLER AY50V	BODY, MUFFLER	MODEL AY50 V P22
R5	POT D'ECHAPPEMENT	BODY, MUFFLER	MODEL AY50W V P4
R5	PIECE	BODY, MUFFLER	MODEL AY50W V P34
R5	PIECE	BODY, MUFFLER	MODEL AY50 V P34
R5	POT D'ECHAPPEMENT	BODY, MUFFLER	MODEL AY50 V P4
R5	BODY, MUFFLER	BODY, MUFFLER	MODEL AY50W V P2
R5	MUFFLER AY50W/V P22	BODY, MUFFLER	MODEL AY50W V P22
R6	BOULON UF50	BOLT	
R6A	RONDELLE	WASHER	
R6B	RONDELLE UF50	WASHER	
R7	PIECE	SPACER, MUFFLER SUPPORT	<-14773-41D00-E0Z
R8	CUSHION	CUSHION	
R9	GRILLE DE POT	COVER, MUFFLER	
R10	VIS	SCREW	
R11	GASKET, 5.8X13X1.4	GASKET	
R12	ENTRETOISE	SPACER	
R13	CUSHION	CUSHION	
R14	GUARD, HEAT	GUARD, HEAT	MODEL AY50 V P22
R14	GUARD, MUFFLER	GUARD, HEAT	P39
R14	GUARD, HEAT	GUARD, HEAT	MODEL AY50W V P22
R15	VIS 6X8	SCREW	P22, P39

Suzuki AY 50 Katana MUFFLER (MODEL W P4)



Ind	description1	description2	comment
R1	JOINT	GASKET, EXHAUST PIPE	
R2	BOULON	BOLT	
R2A	RONDELLE	WASHER	
R3	STUD 6X16	STUD BOLT	
R4	ECROU	NUT	
R5	POT D'ECHAPPEMENT	BODY, MUFFLER	
R6	BOULON UF50	BOLT	
R6A	RONDELLE	WASHER	
R6B	RONDELLE UF50	WASHER	
R7	PIECE	SPACER, MUFFLER SUPPORT	<--14773-41D00-E0Z
R8	CUSHION	CUSHION	
R9	GRILLE DE POT	COVER, MUFFLER	
R10	VIS	SCREW	
R11	GASKET,5.8X13X1.4	GASKET	
R12	ENTRETOISE	SPACER	
R13	CUSHION	CUSHION	
R14	COUDE D'ECHAPPEMENT	PIPE, EXHAUST	
R15	JOINT	GASKET, EXHAUST PIPE	
R16	BOULON	BOLT	

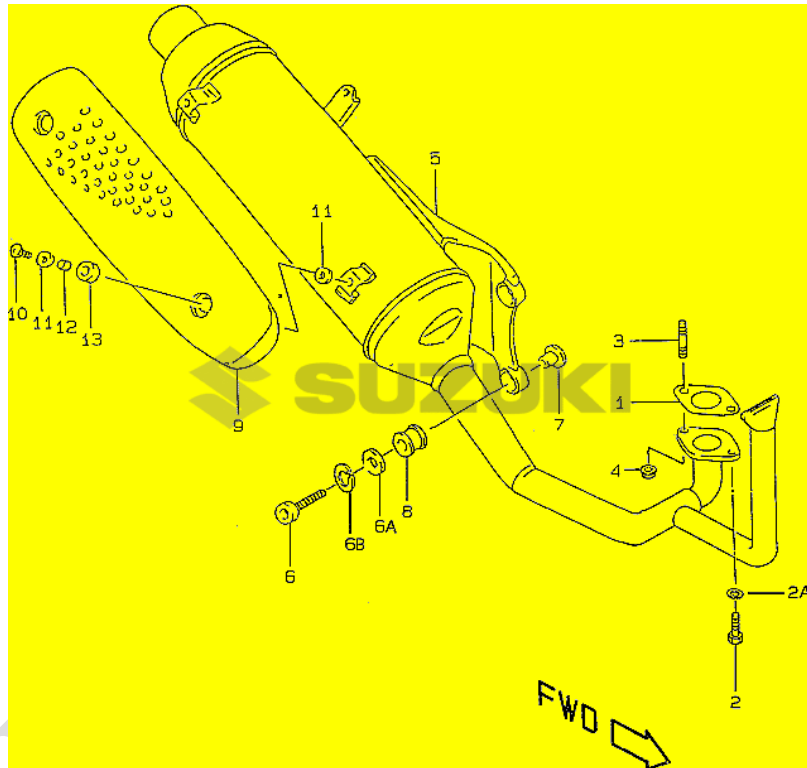
**Suzuki AY 50 Katana MUFFLER (MODEL X/Y EXCEPT P26 AND AY50 P39 )**



Ind	description1	description2	comment
R1	JOINT	GASKET, EXHAUST PIPE	
R2	BOULON	BOLT	
R2A	RONDELLE	WASHER	
R3	STUD 6X16	STUD BOLT	
R4	ECROU	NUT	
R6	BOULON UF50	BOLT	
R6A	RONDELLE	WASHER	
R6B	RONDELLE UF50	WASHER	
R7	PIECE	SPACER, MUFFLER SUPPORT	<--14773-41D00-E0Z
R8	CUSHION	CUSHION	
R9	GRILLE DE POT	COVER, MUFFLER	
R10	VIS	SCREW	
R11	JOINT	GASKET	<--09168-06122
R12	ENTRETOISE	SPACER	
R13	CUSHION	CUSHION	
R14	COUDE D'ECHAPPEMENT	PIPE, EXHAUST	
R14	TUBE AY50/X- AY50W/X- UX50W	PIPE, EXHAUST	P2, P18, P22, P39, P34
R15	JOINT	GASKET, EXHAUST PIPE	
R16	BOLT	BOLT	

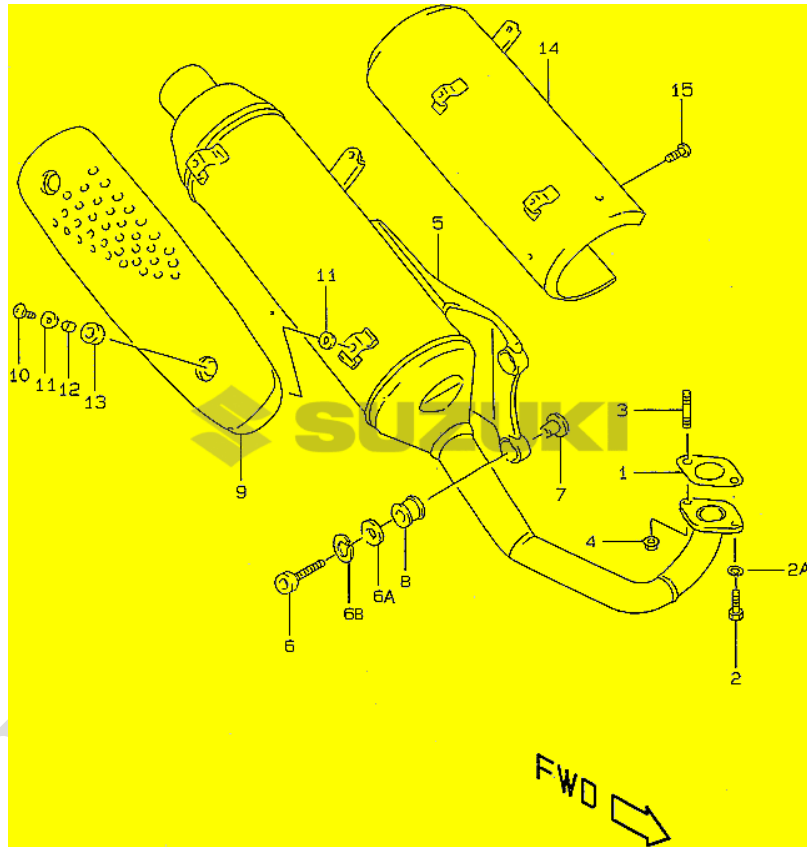


Suzuki AY 50 Katana MUFFLER (MODEL X/Y P26)



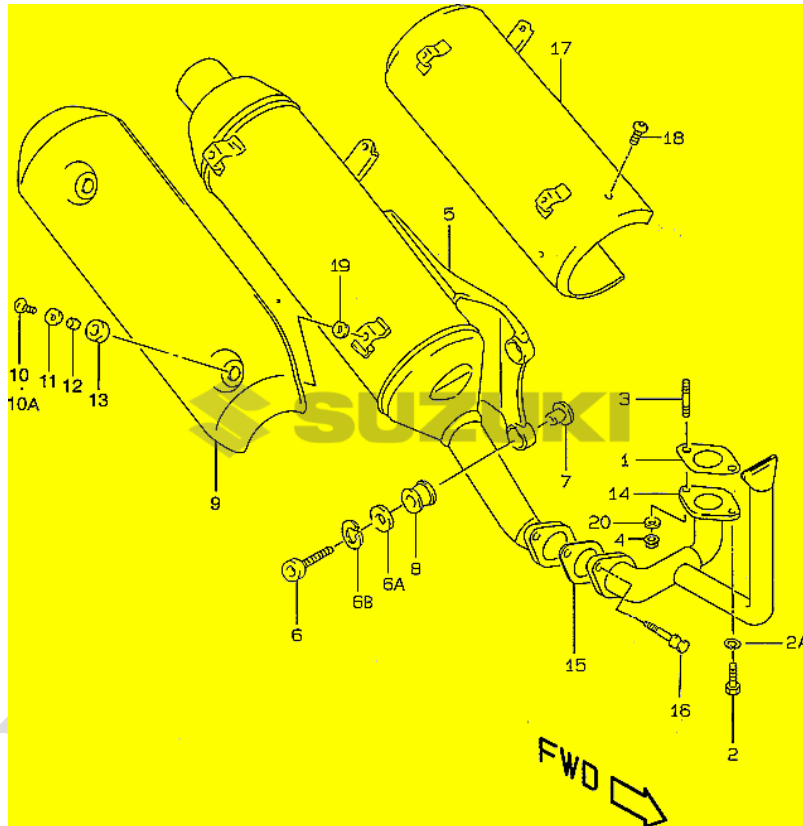
Ind	description1	description2	comment
R1	JOINT	GASKET, EXHAUST PIPE	
R2	BOULON	BOLT	
R2A	RONDELLE	WASHER	
R3	STUD 6X16	STUD BOLT	
R4	ECROU	NUT	
R5	PIECE	BODY, MUFFLER	<--14310-22F20-E02
R6	BOULON UF50	BOLT	
R6A	RONDELLE	WASHER	
R6B	RONDELLE UF50	WASHER	
R7	SPACER, MUFFLER SUPPORT	SPACER, MUFFLER SUPPORT	
R8	CUSHION	CUSHION	
R9	GRILLE DE POT	COVER, MUFFLER	
R10	VIS	SCREW	
R11	JOINT	GASKET	<--09168-06120
R12	ENTRETOISE	SPACER	
R13	CUSHION	CUSHION	

Suzuki AY 50 Katana MUFFLER (MODEL AY50 X/Y P39)



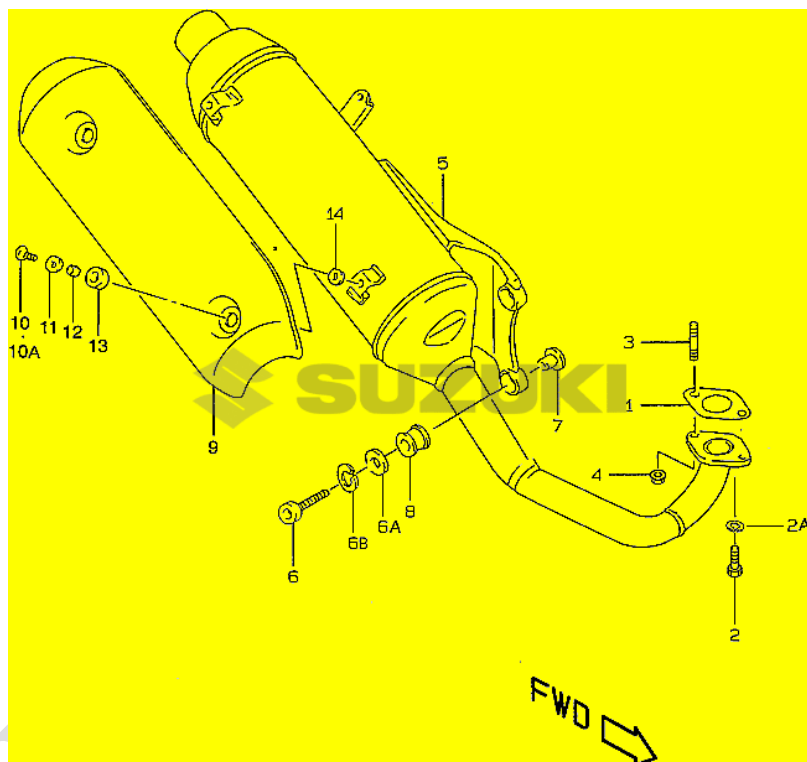
Ind	description1	description2	comment
R1	JOINT	GASKET, EXHAUST PIPE	
R2	BOULON	BOLT	
R2A	RONDELLE	WASHER	
R3	STUD 6X16	STUD BOLT	
R4	ECROU	NUT	
R5	MUFFLER ASSY	BODY, MUFFLER	<-14310-02E50-E02
R6	BOULON UF50	BOLT	
R6A	RONDELLE	WASHER	
R6B	RONDELLE UF50	WASHER	
R7	PIECE	SPACER, MUFFLER SUPPORT	<-14773-41D00-E0Z
R8	CUSHION	CUSHION	
R9	GRILLE DE POT	COVER, MUFFLER	
R10	VIS	SCREW	
R11	JOINT	GASKET	<-09168-06120
R12	ENTRETOISE	SPACER	
R13	CUSHION	CUSHION	
R14	COVER, EXHAUST	GUARD, HEAT	
R15	VIS 6X8	SCREW	

**Suzuki AY 50 Katana MUFFLER (MODEL K1, EXCEPT P26 AND AY50 P39 )**



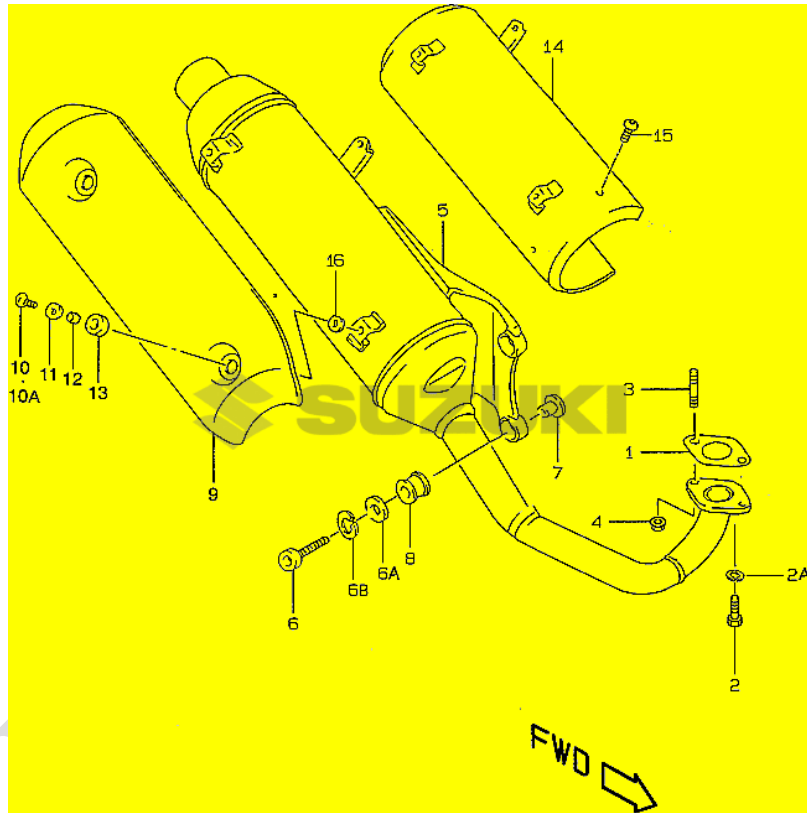
Ind	description1	description2	comment
R	POT:D ETCHAPPEMENT	BODY COMP, MUFFLER	P4, P29, P41, P53, P68
R	MUFFLER AY50(WR)/K1-	BODY COMP, MUFFLER	P22
R	MUFFLER P34 AY50WR/K1-K2	BODY COMP, MUFFLER	P34
R1	JOINT	GASKET, EXHAUST PIPE	
R1	GASKET AY50(WR)/K1-	GASKET, EXHAUST PIPE	P22
R2	BOULON	BOLT	
R2A	RONDELLE	WASHER	
R3	STUD 6X16	STUD BOLT	
R3	STUD BOLT AY50/K1-	STUD BOLT	P22
R4	ECROU	NUT	
R5	POT D'ECHAPPEMENT	BODY, MUFFLER	P4, P29, P41, P53, P68
R5	BODY, MUFFLER AY50(WR)/K1-	BODY, MUFFLER	P22
R6	BOULON UF50	BOLT	
R6A	RONDELLE	WASHER	
R6B	RONDELLE UF50	WASHER	
R7	PIECE	SPACER, MUFFLER SUPPORT	
R8	CUSHION	CUSHION	
R9	GUARD HEAT	COVER, MUFFLER	
R9	GRILLE DE POT	COVER, MUFFLER	P22
R10	VIS	SCREW	
R10	SCREW	SCREW	P22
R10A	VIS	SCREW	EXCEPT P22
R11	JOINT	GASKET	
R12	ENTRETOISE	SPACER	
R13	CUSHION	CUSHION	
R14	TUBE D'ECHAPPEMENT	PIPE, EXHAUST	
R14	PIPE, EXHAUST	PIPE, EXHAUST	P2, P18, P39, P34
R14	PIPE, EXHAUST AY50/K1-	PIPE, EXHAUST	P22
R15	JOINT	GASKET, EXHAUST PIPE	
R16	BOLT	BOLT	
R19	SPACER	SPACER	
R20	RONDELLE UF50	WASHER	P22

Suzuki AY 50 Katana MUFFLER (MODEL K1 P26)



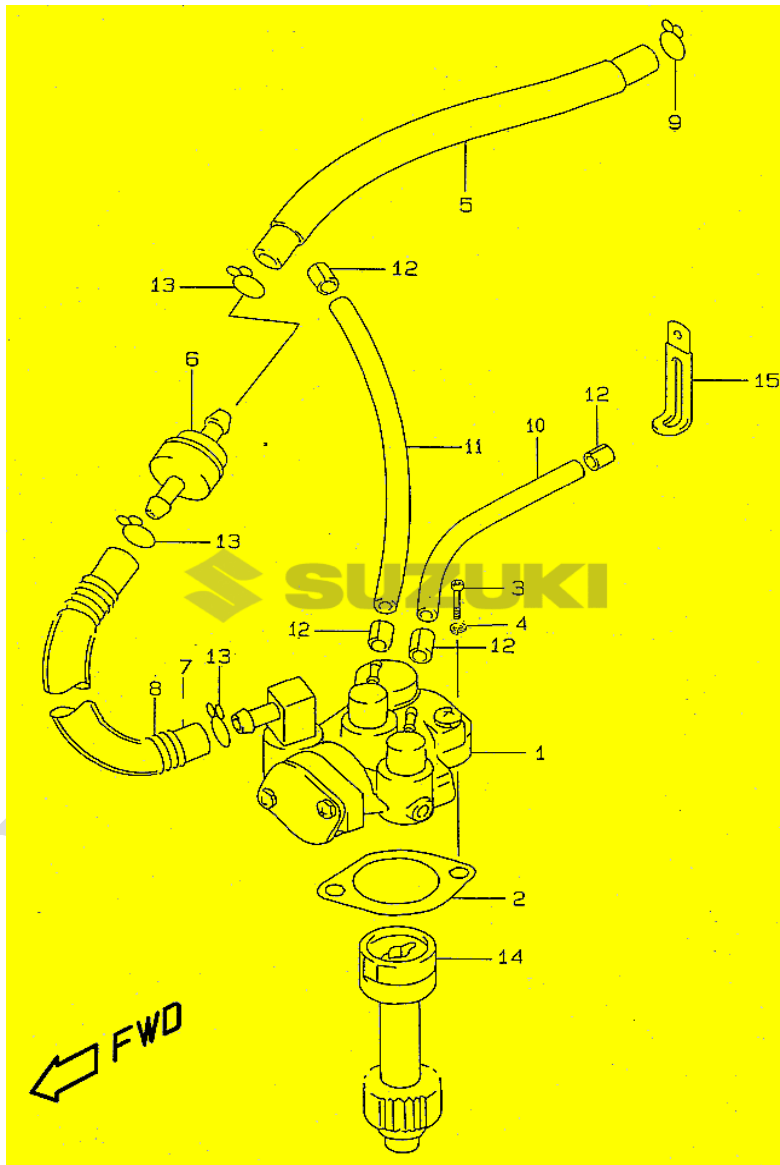
Ind	description1	description2	comment
R1	JOINT	GASKET, EXHAUST PIPE	
R2	BOULON	BOLT	
R2A	RONDELLE	WASHER	
R3	STUD 6X16	STUD BOLT	
R4	ECROU	NUT	
R5	PIECE	BODY, MUFFLER	
R6	BOULON UF50	BOLT	
R6A	RONDELLE	WASHER	
R6B	RONDELLE UF50	WASHER	
R7	SPACER, MUFFLER SUPPORT	SPACER, MUFFLER SUPPORT	
R8	CUSHION	CUSHION	
R9	GUARD HEAT	COVER, MUFFLER	
R10	VIS	SCREW	
R10A	VIS	SCREW	
R11	JOINT	GASKET	
R12	ENTRETOISE	SPACER	
R13	CUSHION	CUSHION	
R14	SPACER	SPACER	

**Suzuki AY 50 Katana MUFFLER (MODEL AY50 K1 P39)**



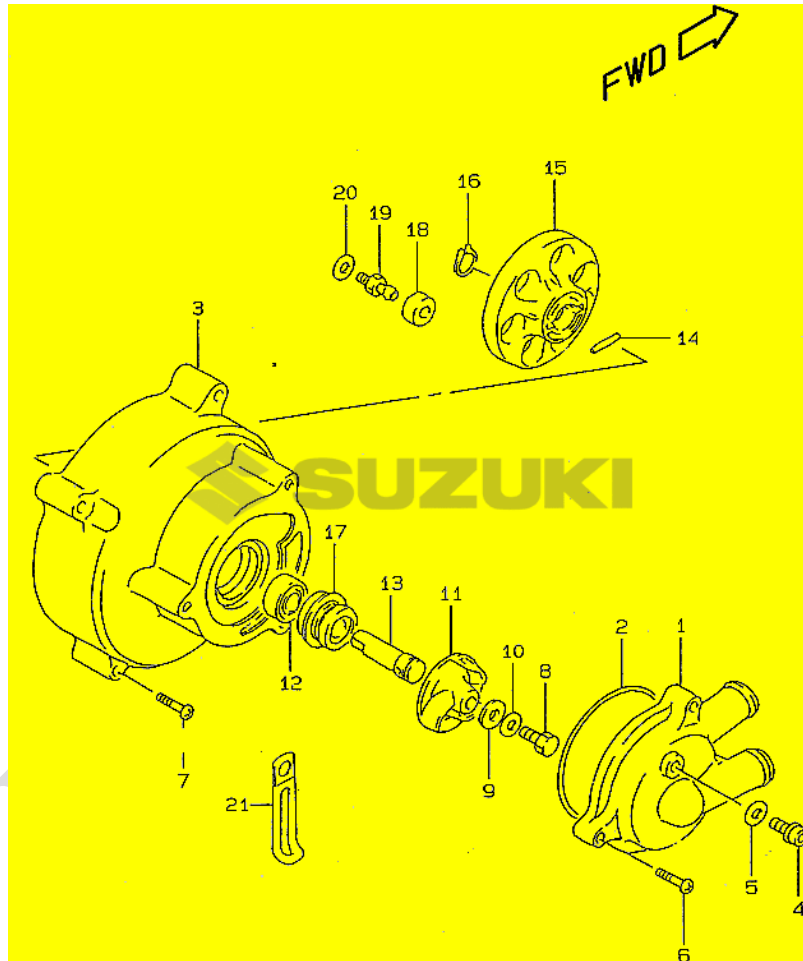
Ind	description1	description2	comment
R1	JOINT	GASKET, EXHAUST PIPE	
R2	BOULON	BOLT	
R2A	RONDELLE	WASHER	
R3	STUD 6X16	STUD BOLT	
R4	ECROU	NUT	
R5	MUFFLER ASSY	BODY, MUFFLER	
R6	BOULON UF50	BOLT	
R6A	RONDELLE	WASHER	
R6B	RONDELLE UF50	WASHER	
R7	PIECE	SPACER, MUFFLER SUPPORT	
R8	CUSHION	CUSHION	
R9	GUARD HEAT	COVER, MUFFLER	
R10	VIS	SCREW	
R10A	VIS	SCREW	
R11	JOINT	GASKET	
R12	ENTRETOISE	SPACER	
R13	CUSHION	CUSHION	
R14	COVER, EXHAUST	GUARD, HEAT	
R15	VIS 6X8	SCREW	
R16	SPACER	SPACER	

Suzuki AY 50 Katana OIL PUMP



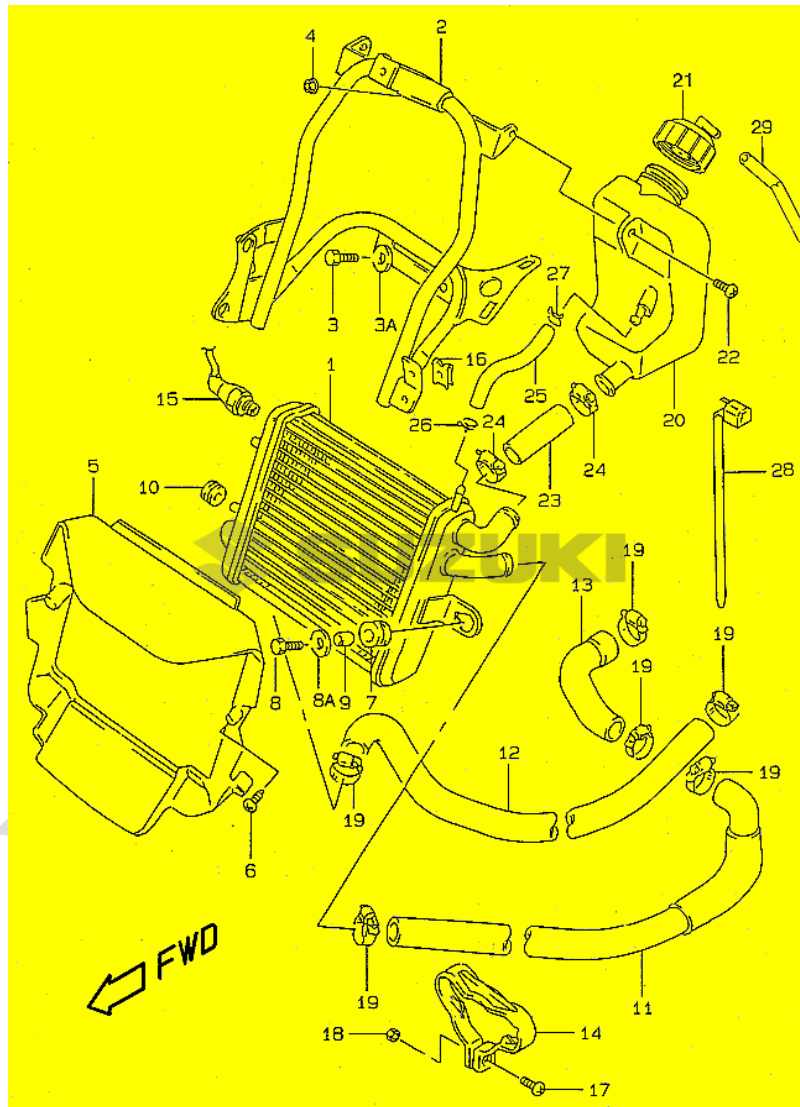
Ind	description1	description2	comment
R2	JOINT	GASKET, OIL PUMP	
R3	SCREW (5X16)	SCREW (5X16)	<--02112-35163
R4	RONDELLE	WASHER	
R5	PIECE	HOSE, OIL NO.1	<--09359-45854-105
R6	FILTER, OIL PUMP	FILTER, OIL PUMP	<--16850-02200
R7	HOSE, OIL NO.1 INLET	HOSE, OIL NO.1 INLET	<--09355-45857-275
R8	RESSORT	PROTECTOR	<--09440-10029
R9	CLIP AY50	CLIP	
R10	COLLIER	HOSE, OIL NO. 2 R. AUT 1	
R11	PIECE	HOSE, OIL NO. 2 R. AUT 2	
R12	CLAMP	CLIP	
R13	COLLIER UF50	CLIP	
R14	PIGNON	GEAR, OIL PUMP DRIVEN (NT: 30)	
R15	ATTACHE	CLAMP	

Suzuki AY 50 Katana WATER PUMP (MODEL AY50W/WR)



Ind	description1	description2	comment
R1	CARTER	CASE, WATER PUMP OUTER	MODEL VW
R2	O RING D:2.1 ID:65	O RING	
R3	CARTER	CASE, WATER PUMP INNER	
R4	UNION	BOLT	
R5	GASKET,6.2X11X1.2	GASKET	
R6	VIS	SCREW	
R7	VIS	SCREW	
R8	BOLT	BOLT	
R9	WASHER, SEAL	WASHER, SEAL	
R10	PIECE	WASHER, LOCK	
R11	TURBINE	IMPELLER, WATER PUMP	MODEL VW
R12	BEARING	BEARING	
R13	ARBRE	SHAFT, WATER PUMP	
R14	PIN 2.5X19.8	PIN	
R15	FLASQUE	JOINT, WATER PUMP	
R16	PIECE	CIRCLIP	
R17	JOINT	SEAL, WATER PUMP MECHANICAL	
R18	CAOUTCHOUC	CUSHION, WATER PUMP JOINT	
R19	BOULON	BOLT, WATER PUMP JOINT CUSHION	
R20	PIECE	WASHER	
R21	ATTACHE	CLAMP	

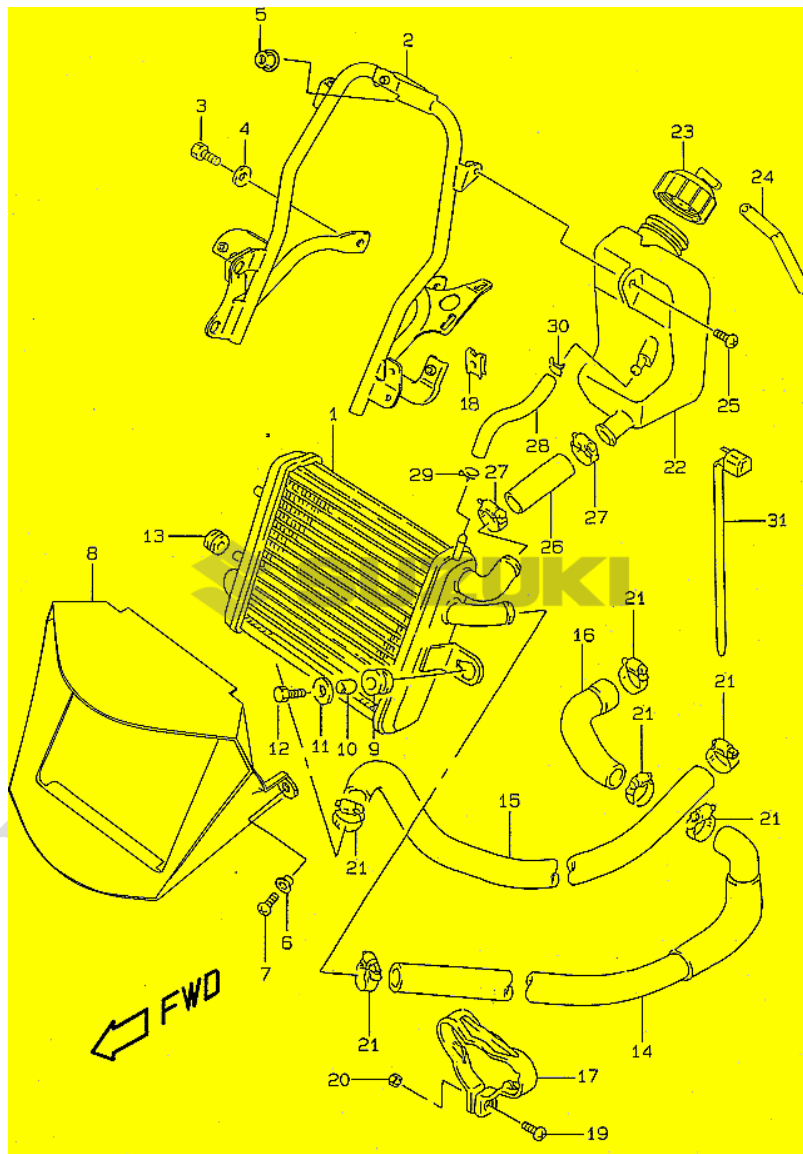
Suzuki AY 50 Katana RADIATOR (MODEL AY50W/WRV/W/X/Y)



Ind	description1	description2	comment
R1	RADIATEUR	RADIATOR, WATER	<--17710-02E00
R2	SUPPORT	BRACE, RADIATOR	
R3	BOULON	BOLT	
R3A	RONDELLE 8 UX50W/X	WASHER	
R4	ECROU	NUT	
R5	ENTOURAGE DE RADIATEUR	DUCT, RADIATOR	
R6	SCREW	SCREW	<--03141-05123
R7	CUSHION	CUSHION, NO.1	
R8	BOULON	BOLT	
R8A	RONDELLE UF50	WASHER	
R9	SPACER (10X6.2X10)	SPACER (10X6.2X10)	<--09180-06310
R10	SILENTBLOC	CUSHION, NO.2	
R11	HOSE, INLET	HOSE, INLET	MODEL V/W
R12	DURIT	HOSE, OUTLET	
R13	DURIT	HOSE, CYLINDER INLET	
R14	ATTACHE	CLAMP, RADIATOR HOSE	
R15	SWITCH ASSY, WATER TEMP	SWITCH ASSY, WATER TEMP	
R16	ECROU	NUT	
R17	VIS	SCREW	
R18	PIECE	NUT	
R19	JEU PRINCIPAL HO UH125	CLAMP	
R20	VASE D'EXPANSION	TANK, RESERVER	-->17911-02E11
R21	KIT BOUCHON	CAP	
R22	VIS	SCREW	
R23	DURIT	HOSE, RESERVER TANK INLET	
R24	JEU PRINCIPAL HO UH125	CLAMP	
R25	TUYAU	HOSE	
R26	CLIP	CLIP	
R27	COLLIER UF50	CLIP	
R28	CLAMP	CLAMP	
R29	DURIT	HOSE, RESERVER TANK CAP	

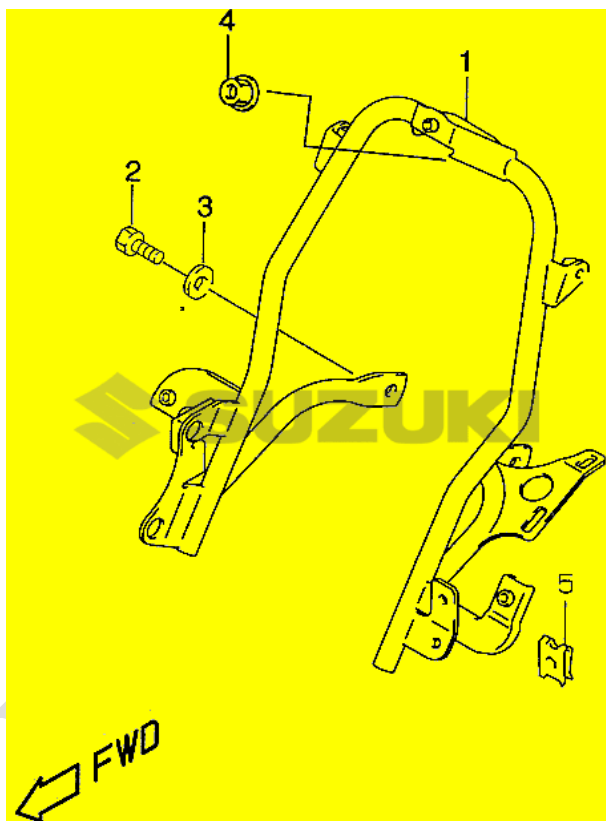


Suzuki AY 50 Katana RADIATOR (MODEL AY50WR K1)



Ind	description1	description2	comment
R1	RADIATEUR	RADIATOR, WATER	
R2	SUPPORT	BRACE, RADIATOR	
R3	BOULON	BOLT	
R4	RONDELLE UF50	WASHER	
R5	ECROU	NUT	
R6	RONDELLE	WASHER	
R7	SCREW	SCREW	
R8	ENTOURAGE DE RADIATEUR	DUCT, RADIATOR	
R9	CUSHION	CUSHION, NO.1	
R10	SPACER (10X6.2X10)	SPACER (10X6.2X10)	
R11	RONDELLE UF50	WASHER	
R12	BOULON	BOLT	
R13	SILENTBLOC	CUSHION, NO.2	
R14	DURIT	HOSE, INLET	
R15	DURIT	HOSE, OUTLET	
R16	DURIT	HOSE, CYLINDER INLET	
R17	ATTACHE	CLAMP, RADIATOR HOSE	
R18	ECROU	NUT	
R19	VIS	SCREW	
R20	PIECE	NUT	
R21	JEU PRINCIPAL HO UH125	CLAMP	
R22	VASE D'EXPANSION	TANK, RESERVER	
R23	KIT BOUCHON	CAP	
R24	DURIT	HOSE, RESERVER TANK CAP	
R25	VIS	SCREW	
R26	DURIT	HOSE, RESERVER TANK INLET	
R27	JEU PRINCIPAL HO UH125	CLAMP	
R28	TUYAU	HOSE	
R29	CLIP	CLIP	
R30	COLLIER UF50	CLIP	
R31	CLAMP	CLAMP	

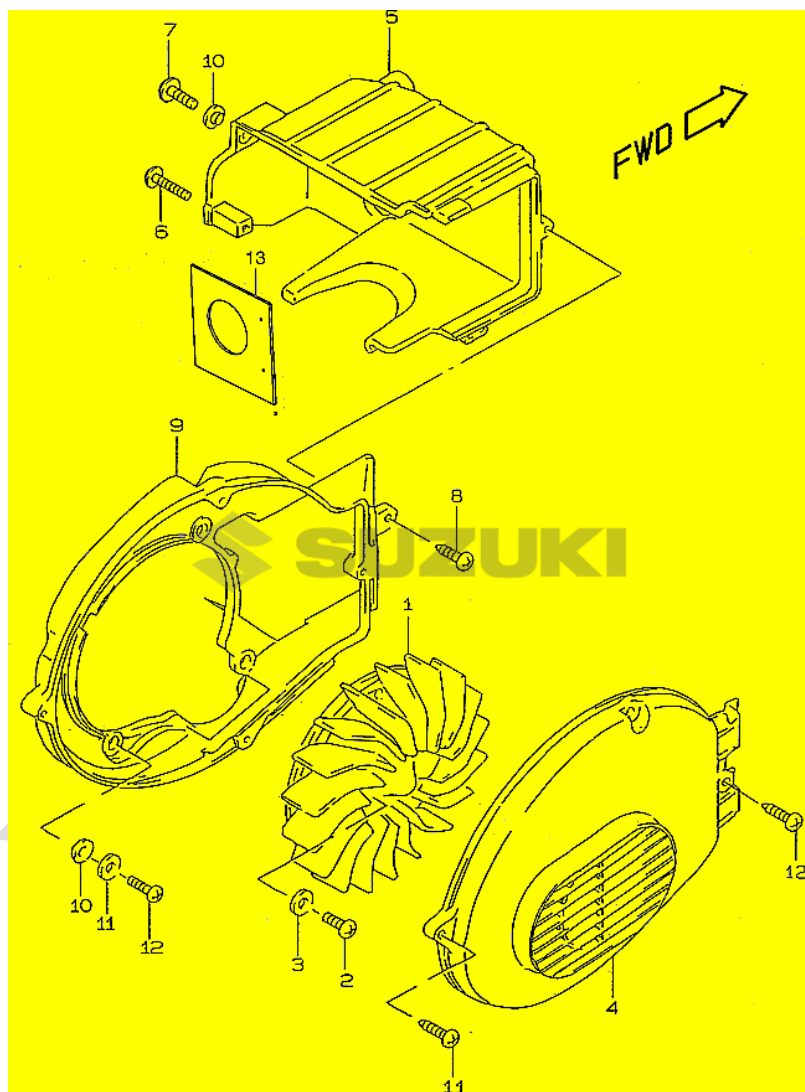
Suzuki AY 50 Katana BRACE, RADIATOR (MODEL AY50 K1)



Ind	description1	description2	comment
R1	SUPPORT	BRACE, RADIATOR	
R2	BOULON	BOLT	
R3	RONDELLE UF50	WASHER	
R4	ECROU	NUT	
R5	ECROU	NUT	

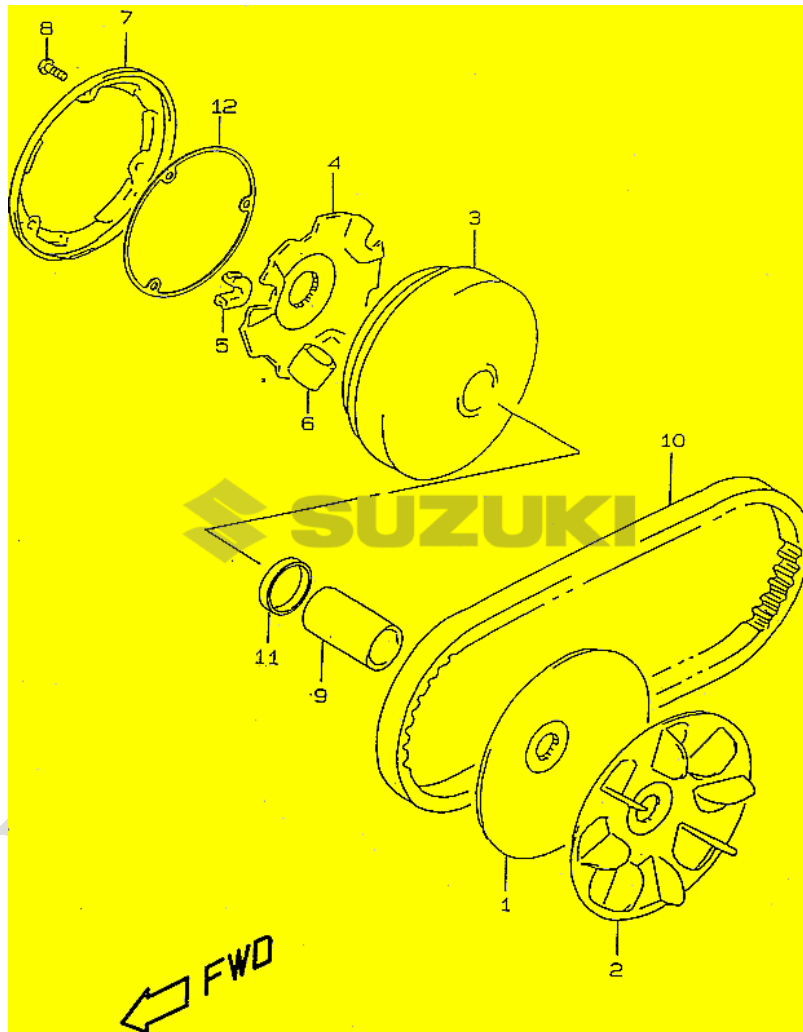
MatyMiš

Suzuki AY 50 Katana COOLING FAN (MODEL AY50)



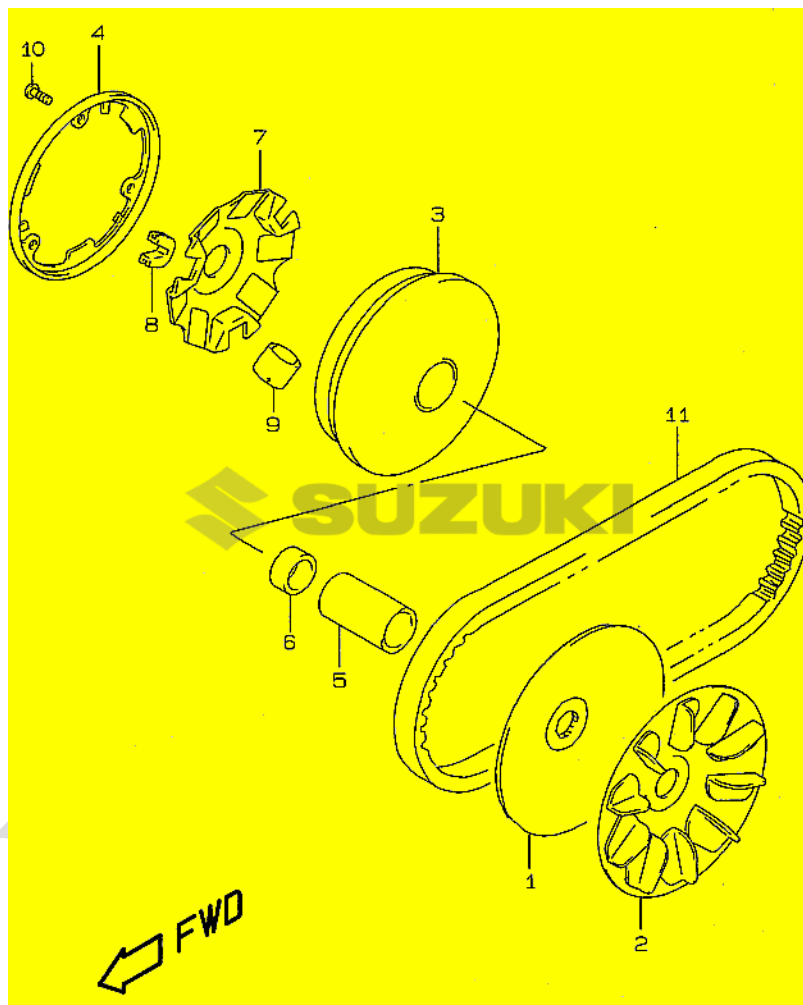
Ind	description1	description2	comment
R1	VENTILATEUR	FAN, COOLING	<-17110-39C00
R2	SCREW	SCREW	
R3	RONDELLE UF50	WASHER	
R4	CARTER	COWLING, FAN	
R4	COWLING FAN	COWLING, FAN	P22, P39
R5	CARENAGE DE CYLINDRE	COWLING, CYLINDER	
R6	VIS	SCREW	
R7	VIS	SCREW	
R8	VIS	SCREW	
R9	CARTER	CASE, FAN	
R10	ENTRETOISE	SPACER	<-09169-06021
R11	RONDELLE UF50	WASHER	
R12	SCREW	SCREW	
R13	VIS	SCREW	
R14	VIS	SCREW	
R15	CAOUTCHOUC	CUSHION	

Suzuki AY 50 Katana TRANSMISSION (1) (MODEL V/W)



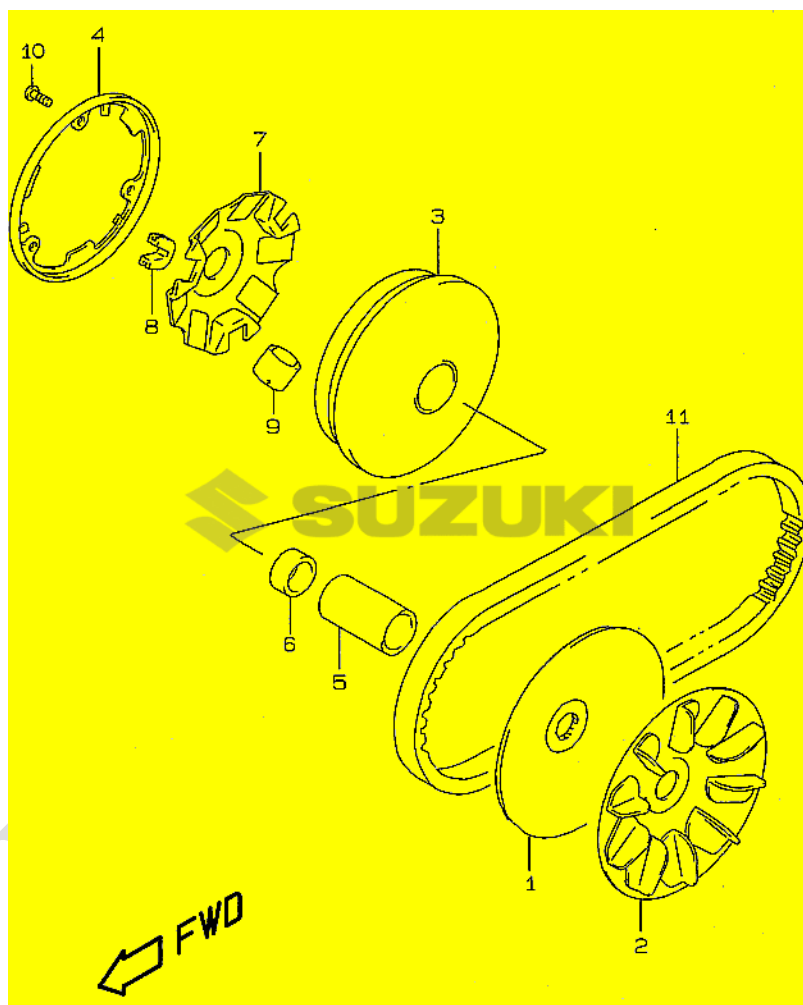
Ind	description1	description2	comment
R1	PIGNON	FACE, FIXED DRIVE	
R2	FLASQUE	FAN, FIXED DRIVE	
R3	FACE, MOVABLE DRIVE	FACE, MOVABLE DRIVE	MODEL V
R4	PLATEAU	PLATE, MOVABLE DRIVE	MODEL AY50W V
R5	CLIP	DAMPER, MOVABLE DRIVE PLATE	MODEL AY50W V
R6	GALET	ROLLER, MOVABLE DRIVE FACE (6,	MODEL AY50W V P2, P4, P22
R7	COUVERCLE	COVER	
R8	SCREW 4X8	SCREW	
R9	SPACER 16X22X37.2	SPACER (16X22X37.2)	MODEL AY50 V P4
R10	V BELT AY50/V&W AY50W/V&W	V BELT, DRIVE	

Suzuki AY 50 Katana TRANSMISSION (1) (MODEL X/Y)



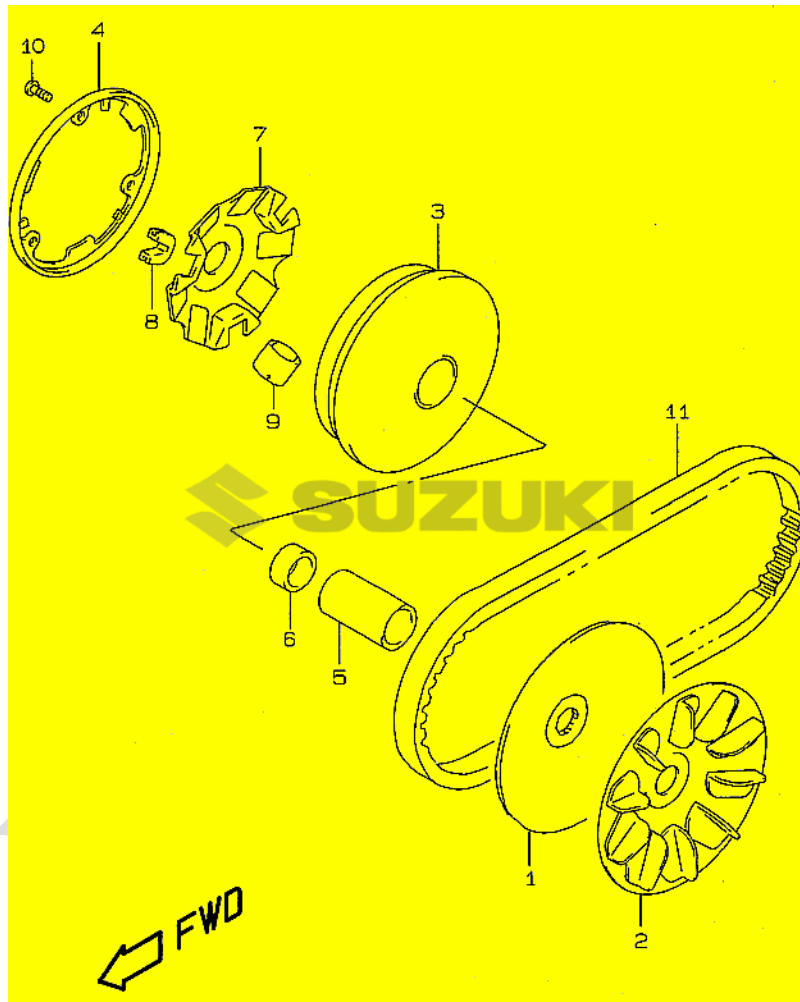
Ind	description1	description2	comment
R1	FLASQUE	FACE, FIXED DRIVE	M. AY50 P4,P26,P29,P34,P41,P53,P6
R2	FLASQUE	FAN, FIXED DRIVE	
R3	POULIE	FACE, MOVABLE DRIVE	M. AY50 P4,P26,P29,P34,P41,P53,P6
R4	COUVERCLE	COVER, MOVABLE DRIVE	M. AY50 P4,P26,P29,P34,P41,P53,P6
R5	ENTRETOISE	SPACER (16X22X41.3)	M. AY50 P4,P26,P29,P34,P41,P53,P6
R6	BAGUE	SPACER	P4, P26, P29, P34, P41, P53, P68
R7	PLATEAU	PLATE, MOVABLE DRIVE	M. AY50 P4,P26,P29,P34,P41,P53,P6
R8	CAOUTCHOUC	DAMPER, MOVABLE DRIVE PLATE	M. AY50 P4,P26,P29,P34,P41,P53,P6
R9	GALET	ROLLER, MOVABLE DRIVE FACE (6,	
R10	SCREW 4X10	SCREW	M. AY50 P4,P26,P29,P34,P41,P53,P6
R11	COURROIE	V BELT, DRIVE	

Suzuki AY 50 Katana TRANSMISSION (1) (MODEL AY50 K1)



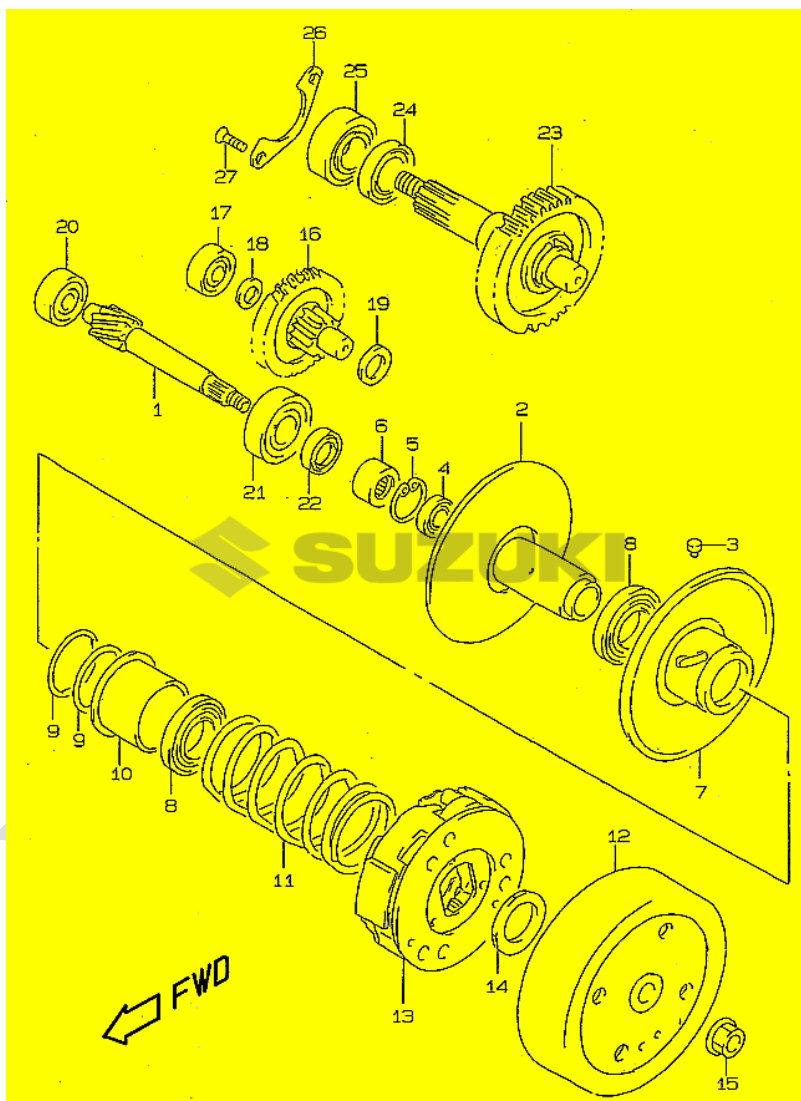
Ind	description1	description2	comment
R1	PIGNON	FACE, FIXED DRIVE	P2, P22, P39
R1	FLASQUE	FACE, FIXED DRIVE	
R2	FLASQUE	FAN, FIXED DRIVE	
R3	FACE, MOV. DRIVE AY50/W	FACE, MOVABLE DRIVE	P2, P22, P39
R3	POULIE	FACE, MOVABLE DRIVE	
R4	COUVERCLE	COVER, MOVABLE DRIVE	P2, P22, P39
R4	COUVERCLE	COVER, MOVABLE DRIVE	
R5	SPACER 16X22X37.2	SPACER (16X22X37.2)	P2, P22, P39
R5	ENTRETOISE	SPACER (16X22X41.3)	
R6	BAGUE	SPACER	P4, P26, P29, P34, P41, P53, P68
R6	SPACER AY50KR/K1-	SPACER (25X22X3)	P22
R7	PLATE MOV. DRIVE AY50	PLATE, MOVABLE DRIVE	P2, P22, P39
R7	PLATEAU	PLATE, MOVABLE DRIVE	
R8	SILENBLOC	DAMPER, MOVABLE DRIVE PLATE	P2, P22, P39
R8	CAOUTCHOUC	DAMPER, MOVABLE DRIVE PLATE	
R9	GALET	ROLLER, MOVABLE DRIVE FACE (6,	
R9	GALET	ROLLER, MOVABLE DRIVE FACE (11	P39
R10	SCREW 4X8	SCREW	P2, P22, P39
R10	SCREW 4X10	SCREW	
R11	COURROIE	V BELT, DRIVE	
R11	COURROIE	V BELT, DRIVE	P2, P22, P39

Suzuki AY 50 Katana TRANSMISSION (1) (MODEL AY50WR K1)



Ind	description1	description2	comment
R1	FLASQUE	FACE, FIXED DRIVE	
R2	FLASQUE	FAN, FIXED DRIVE	
R3	POULIE	FACE, MOVABLE DRIVE	
R4	COUVERCLE	COVER, MOVABLE DRIVE	
R5	ENTRETOISE	SPACER (16X22X41.3)	
R6	BAGUE	SPACER	P4, P26, P29, P34, P41, P53, P68
R6	BAGUE	SPACER (25X22X4)	P22
R7	PLATEAU	PLATE, MOVABLE DRIVE	
R8	CAOUTCHOUC	DAMPER, MOVABLE DRIVE PLATE	
R9	GALET	ROLLER, MOVABLE DRIVE FACE (6,	
R10	SCREW 4X10	SCREW	
R11	COURROIE	V BELT, DRIVE	

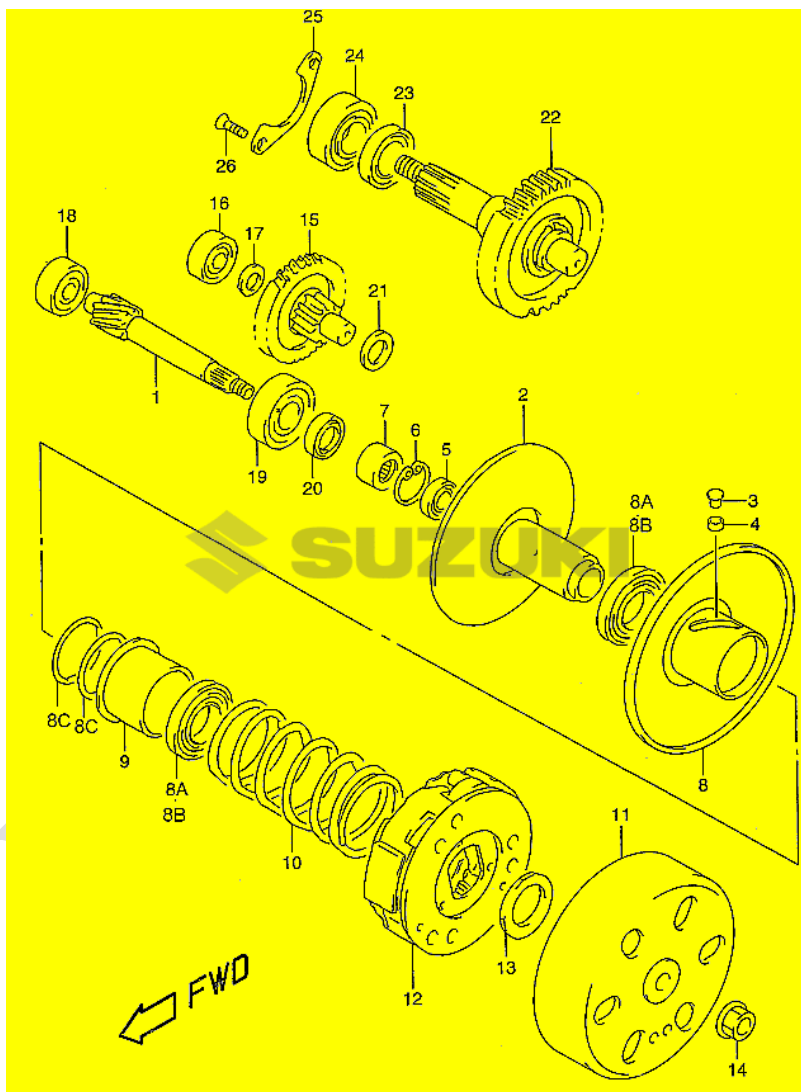
Suzuki AY 50 Katana TRANSMISSION (2) (MODEL V/W)



Ind	description1	description2	comment
R1	ARBRE	SHAFT, DRIVE (NT:15)	
R2	PIGNON	FACE, FIXED DRIVEN	
R3	PIN	PIN	
R4	BALLBEARING 12X24X6	BEARING (12X24X6)	
R5	CIRCLIP 24MM	CIRCLIP	
R6	BEARING	BEARING (17X25X16.7)	
R7	FLASQUE	FACE, MOVABLE DRIVEN	
R8	SEAL,OIL	OIL SEAL (34X41X4)	
R9	O RING	O RING (D:4.6, ID:41.9)	
R10	SHEET, MOVABLE DRIVEN FACE	SHEET, MOVABLE DRIVEN FACE	
R11	SPRING,MOVABLE DRIVEN	SPRING	MODEL AY50 V P4
R12	HOUSING, CLUTCH	HOUSING, CLUTCH	
R13	EMBAYAGE PRIMAIRE	CLUTCH ASSY, SHOE (175 G)	MODEL AY50 V P4
R13	EMBAYAGE PRIMAIRE	CLUTCH ASSY, SHOE (157 G)	MODEL AY50W V
R14	NUT	NUT	
R15	ECROU	NUT	
R16	ARBRE	SHAFT COMP, IDLE (NT:15)	MODEL AY50 V P2, P4, P22, P39
R16	ARBRE	SHAFT COMP, IDLE (NT:15)	MODEL AY50W V P2, P4, P22
R16	ARBRE	SHAFT COMP, IDLE (NT:17)	MODEL AY50 V P26, P29, P34, P41,
R16	ARBRE	SHAFT COMP, IDLE (NT:17)	M. AY50 W P4,P26,P29,P34,P41,P53
R17	BALL BEARING	BEARING	
R18	SHIM,12X20X1.0	THRUST WASHER (12X20X1.0) RH	
R19	WASHER,THRUST	THRUST WASHER LH	
R20	BALL BEARING	BEARING (12X32X10) RH	
R21	BALL BEARING KOYO	BEARING LH	
R22	SEAL,OIL,17X27X5	OIL SEAL (17X27X5)	
R23	ARBRE	SHAFT, REAR AXLE (NT:66)	MODEL AY50 V P2, P4, P22, P39
R23	ARBRE	SHAFT, REAR AXLE (NT:66)	MODEL AY50W V P2, P4, P22
R23	ARBRE	SHAFT, REAR AXLE (NT:64)	MODEL AY50 V P26, P29, P34, P41,
R23	ARBRE	SHAFT, REAR AXLE (NT:64)	M. AY50 W P4,P26,P29,P34,P41,P53
R24	OIL SEAL 27X40X6	OIL SEAL (27X40X6)	
R25	BALL BEARING	BEARING	
R26	PLAQUE	RETAINER, AXLE SHAFT	
R27	SCREW 6X16	SCREW	

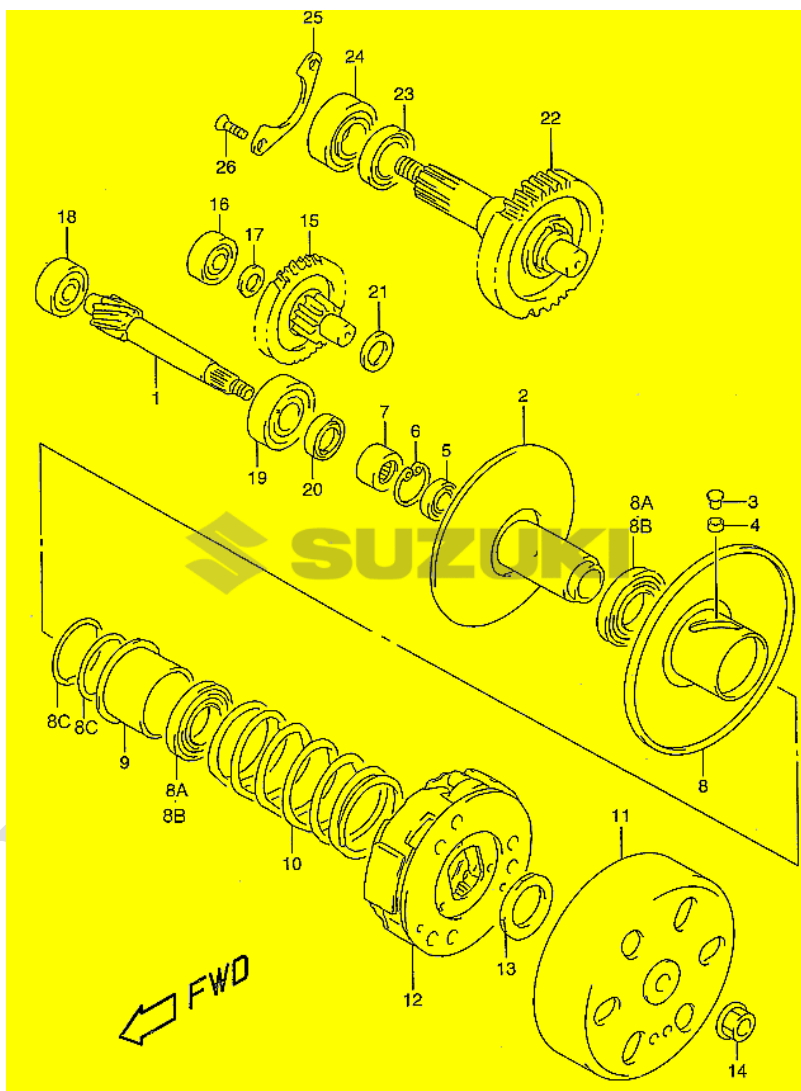


Suzuki AY 50 Katana TRANSMISSION (2) (MODEL X/Y)



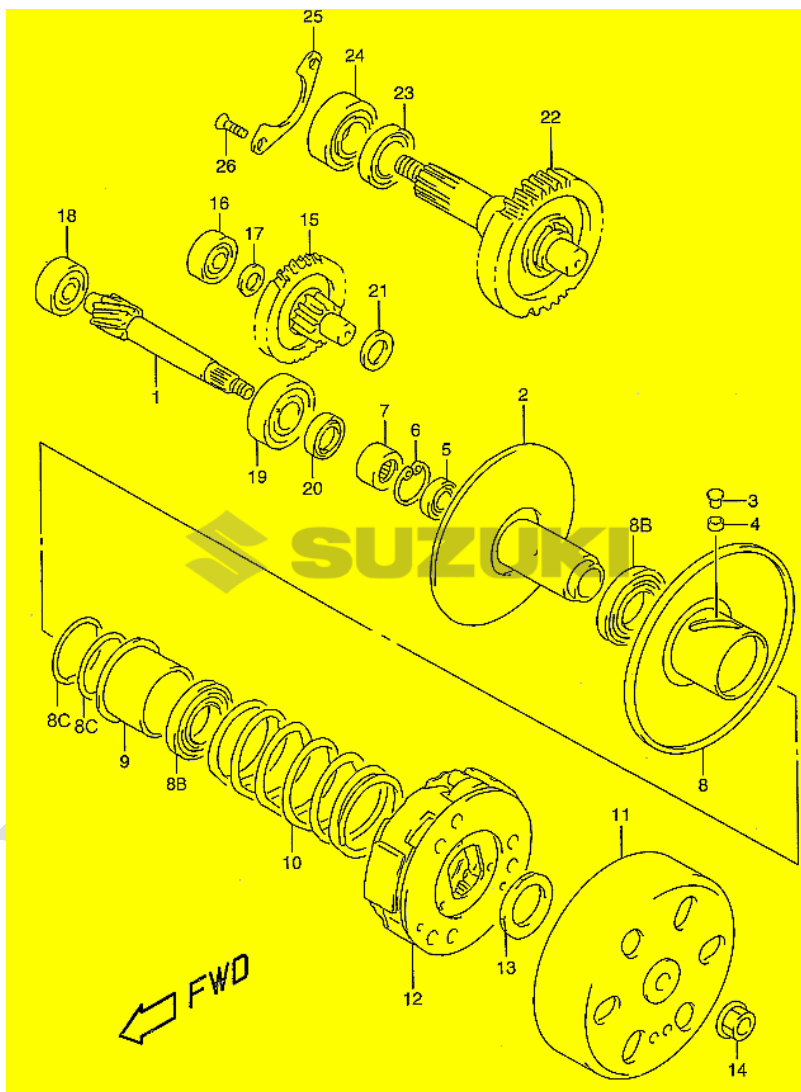
Ind	description1	description2	comment
R1	ARBRE	SHAFT, DRIVE (NT:15)	
R2	POULIE	FACE, FIXED DRIVEN	-F. NO. VTTAA711C00102147
R2	POULIE	FACE, FIXED DRIVEN	F. NO. VTTAA711C00102148~
R4	ENTRETOISE	SPACER	
R5	BALLBEARING 12X24X6	BEARING, LH (12X24X6)	
R6	CIRCLIP 24MM	CIRCLIP	
R7	ROULEMENT	BEARING, RH (22X28X20)	
R8	FLASQUE	FACE, MOVABLE DRIVEN	-F. NO. VTTAA711C00102147
R8	FLASQUE	FACE, MOVABLE DRIVEN	F. NO. VTTAA711C00102148~
R8	B SEAL,OIL,34X39X3	OIL SEAL (34X39X3)	P4, P26, P29, P34, P41, P53, P68
R8	C O RING	O RING (D:4.6, ID:41.9)	
R9	SHEET, MOVABLE DRIVEN	SHEET, MOVABLE DRIVEN	-F. NO. VTTAA711C00102147
R9	ENTRETOISE	SHEET, MOVABLE DRIVEN	F. NO. VTTAA711C00102148~
R10	RESSORT	SPRING, MOVABLE DRIVEN	
R11	PIGNON	HOUSING, CLUTCH	
R12	EMBAYAGE PRIMAIRE	CLUTCH ASSY, SHOE	
R13	NUT	NUT, SHOE CLUCHT	
R14	NUT	NUT, CLUCHT HOUSING	
R15	ARBRE	SHAFT COMP, IDLE (NT:16)	
R16	ROULEMENT	BEARING, IDLE RH (12X32X10)	
R17	WASHER, IDLE SHAFT RH (12X20X1)	WASHER, IDLE SHAFT RH (12X20X1)	
R18	ROULEMENT	BEARING, DRIVE SHAFT RH (12X32)	
R19	BEARING,50X62X14	BEARING ,DRIVE SHAFT LH (22X50)	
R20	OIL SEAL,22X32X5	SEAL, DRIVE SHAFT LH (22X32X5)	
R21	WASHER,THRUST	WASHER, IDLE SHAFT LH (16X25X1)	
R23	JOINT	OIL SEAL, AXLE SHAFT RH (27X42)	
R24	BEARING,22X50X14	BEARING, AXLE SHAFT (22X50X14)	
R25	PLAQUE	RETAINER, AXLE SHAFT	
R26	VIS	SCREW	

Suzuki AY 50 Katana TRANSMISSION (2) (MODEL AY50 K1)



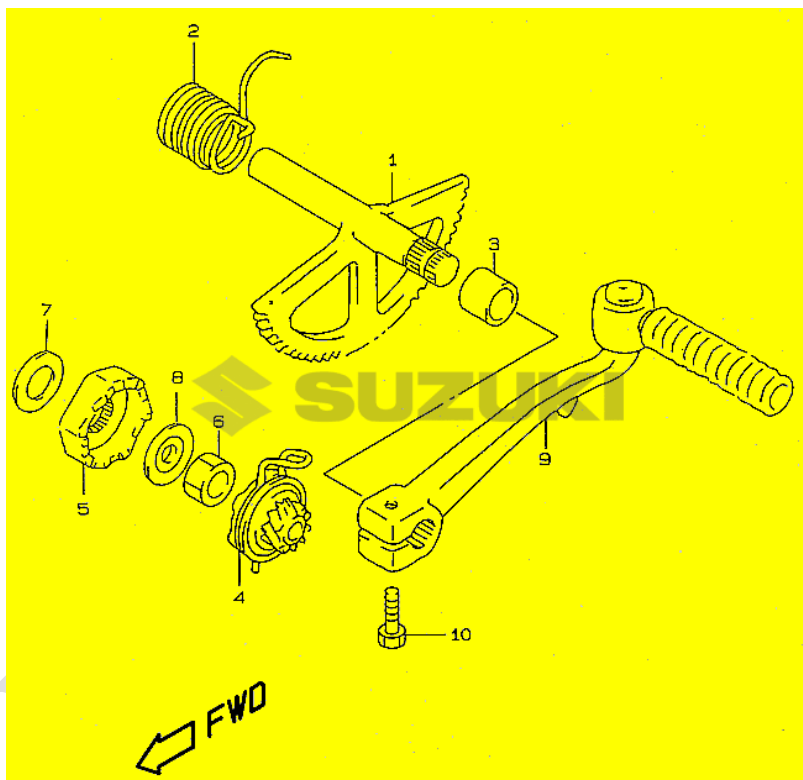
Ind	description1	description2	comment
R1	ARBRE	SHAFT, DRIVE (NT:15)	
R1	SHAFT, DRIVE AY50/X-	SHAFT, DRIVE (NT:15)	P2, P22, P39
R2	POULIE	FACE, FIXED DRIVEN	
R2	PIGNON	FACE, FIXED DRIVEN	P2, P22, P39
R3	AXE	PIN, MOVABLE DRIVEN	
R3	PIN	PIN, MOVABLE DRIVEN	P2, P22, P39
R4	ENTRETOISE	SPACER	
R5	BALLBEARING 12X24X6	BEARING, LH (12X24X6)	
R6	CIRCLIP 24MM	CIRCLIP	
R7	ROULEMENT	BEARING, RH (22X28X20)	
R7	BEARING	BEARING, RH (17X25X16.7)	P2, P22, P39
R8	FLASQUE	FACE, MOVABLE DRIVEN	
R8	FLASQUE	FACE, MOVABLE DRIVEN	P2, P22, P39
R8	A SEAL,OIL	OIL SEAL (34X41X4)	P2, P22, P39
R8	B SEAL,OIL,34X39X3	OIL SEAL (34X39X3)	P4, P26, P29, P34, P41, P53, P68
R8	C O RING	O RING (D:4.6, ID:41.9)	
R9	ENTRETOISE	SHEET, MOVABLE DRIVEN	
R9	DISQUE	SHEET, MOVABLE DRIVEN	P2, P22, P39
R10	RESSORT	SPRING, MOVABLE DRIVEN	
R10	RESSORT	SPRING, MOVABLE DRIVEN	P2, P22, P39
R11	PIGNON	HOUSING, CLUTCH	
R12	EMBAYAGE PRIMAIRE	CLUTCH ASSY, SHOE	
R12	EMBAYAGE PRIMAIRE	CLUTCH ASSY, SHOE	P2, P22, P39
R13	NUT	NUT, SHOE CLUCHT	
R14	NUT	NUT, CLUCHT HOUSING	
R14	ECROU	NUT, CLUCHT HOUSING	P2, P22, P39
R15	ARBRE	SHAFT COMP, IDLE (NT:16)	P2, P22, P39
R15	ARBRE	SHAFT COMP, IDLE (NT:16)	
R16	ROULEMENT	BEARING, IDLE RH (12X32X10)	
R16	BEARING, IDLE RH	BEARING, IDLE RH	P2, P22, P39
R17	WASHER, IDLE SHAFT RH (12X20X1)	WASHER, IDLE SHAFT RH (12X20X1)	
R18	ROULEMENT	BEARING, DRIVE SHAFT RH (12X32)	
R18	BEARING, DRIVE SHAFT RH	BEARING, DRIVE SHAFT RH	P2, P22, P39
R19	BEARING,50X62X14	BEARING, DRIVE SHAFT LH (22X50)	
R19	PIECE	BEARING, DRIVE SHAFT LH (22X32X5)	P2, P22, P39
R20	OIL SEAL,22X32X5	SEAL, DRIVE SHAFT LH (22X32X5)	
R20	SEAL,OIL,17X27X5	SEAL, DRIVE SHAFT LH (17X27X5)	P2, P22, P39
R21	WASHER,THRUST	WASHER, IDLE SHAFT LH (16X25X1)	
R22	SHAFT RR AXLE AY50/X-	SHAFT, REAR AXLE (NT:66)	P2, P22, P39
R22	ARBRE	SHAFT, REAR AXLE (NT:65)	
R23	JOINT	OIL SEAL, AXLE SHAFT RH (27X42)	
R24	BEARING,22X50X14	BEARING, AXLE SHAFT (22X50X14)	
R25	PLAQUE	RETAINER, AXLE SHAFT	
R26	VIS	SCREW	

Suzuki AY 50 Katana TRANSMISSION (2) (MODEL AY50WR K1)



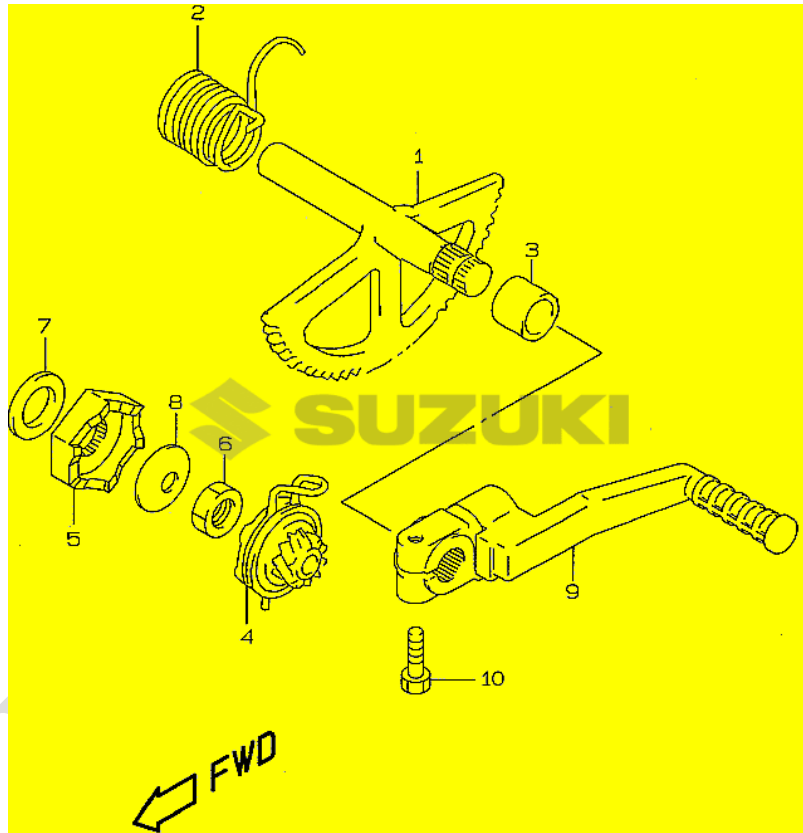
Ind	description1	description2	comment
R1	ARBRE	SHAFT, DRIVE (NT:15)	
R2	POULIE	FACE, FIXED DRIVEN	
R3	AXE	PIN, MOVABLE DRIVEN	
R4	ENTRETOISE	SPACER	P4, P26, P29, P34, P41, P53
R5	BALLBEARING 12X24X6	BEARING, LH (12X24X6)	
R6	CIRCLIP 24MM	CIRCLIP	
R7	ROULEMENT	BEARING, RH (22X28X20)	
R8	FLASQUE	FACE, MOVABLE DRIVEN	
R8B	SEAL,OIL,34X39X3	OIL SEAL (34X39X3)	
R8	C O RING	O RING (D:4.6, ID:41.9)	
R9	ENTRETOISE	SHEET, MOVABLE DRIVEN	
R10	RESSORT	SPRING, MOVABLE DRIVEN	
R11	PIGNON	HOUSING, CLUTCH	
R12	EMBAYAGE PRIMAIRE	CLUTCH ASSY, SHOE	P2, P18, P22
R12	EMBAYAGE PRIMAIRE	CLUTCH ASSY, SHOE	
R13	NUT	NUT, SHOE CLUCHT	
R14	NUT	NUT, CLUCHT HOUSING	
R15	ARBRE	SHAFT COMP, IDLE (NT:16)	
R15	SHAFT,IDLE UX50W AY50W/X-	SHAFT COMP, IDLE (NT:14)	P2, P18, P22
R16	ROULEMENT	BEARING, IDLE RH (12X32X10)	
R17	WASHER, IDLE SHAFT RH (12X20X1)	WASHER, IDLE SHAFT RH (12X20X1)	
R17		BEARING, DRIVE SHAFT RH (12X32)	
R18	ROULEMENT	BEARING, DRIVE SHAFT RH (12X32)	
R19	BEARING,50X62X14	BEARING, DRIVE SHAFT LH (22X50)	
R20	OIL SEAL,22X32X5	SEAL, DRIVE SHAFT LH (22X32X5)	
R21	WASHER,THRUST	WASHER, IDLE SHAFT LH (16X25X1)	
R22	ARBRE	SHAFT, REAR AXLE (NT:65)	
R22	SHAFT, RR AXLE AY50W/X-	SHAFT, REAR AXLE (NT:67)	P2, P18, P22
R23	JOINT	OIL SEAL, AXLE SHAFT RH (27X42)	
R24	BEARING,22X50X14	BEARING, AXLE SHAFT (22X50X14)	
R25	PLAQUE	RETAINER, AXLE SHAFT	
R26	VIS	SCREW	

Suzuki AY 50 Katana KICK STARTER (MODEL V/W)



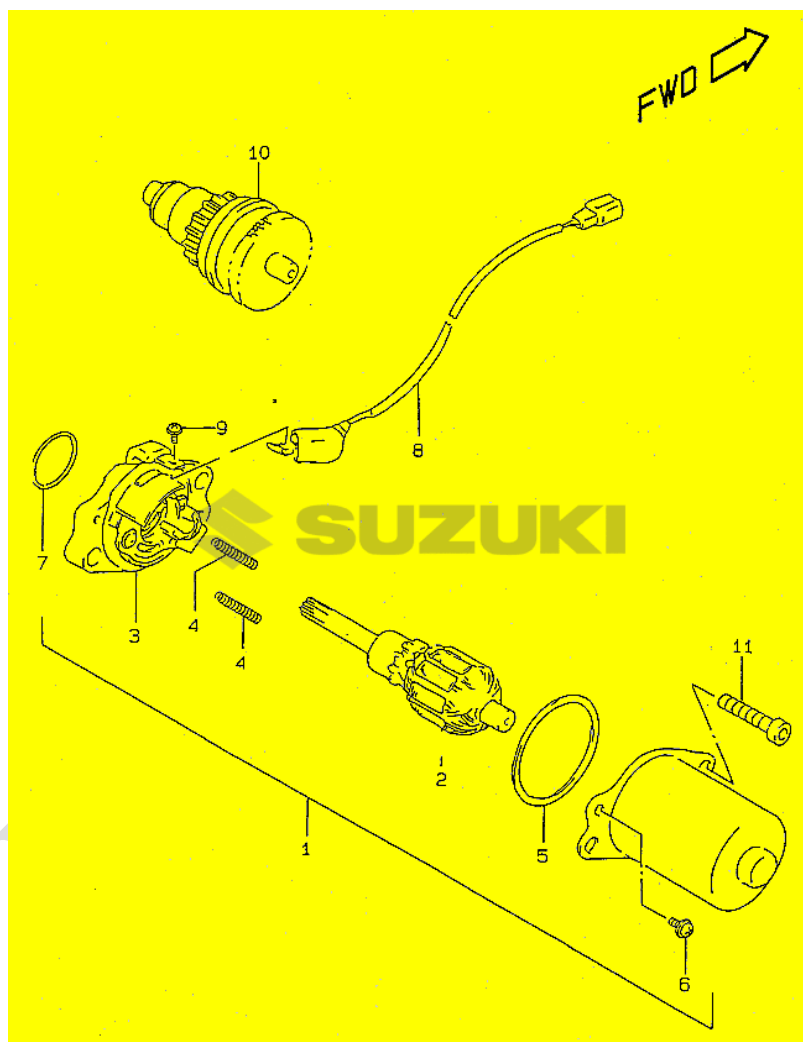
Ind	description1	description2	comment
R1	ARBRE DE KICK	SHAFT, KICK STARTER	
R2	SPRING	SPRING	
R3	RONDELLE	BUSH (14X18X15)	<--09300-14011
R4	GEAR ASSY, KICK STARTER	GEAR ASSY, KICK STARTER	
R5	POUSOIR	STARTER, KICK RH	
R6	NUT	NUT	
R7	WASHER,14X23X3.6	SPACER (14X23X3.6)	
R8	WASHER	WASHER (12.2X22X1.2)	
R9	KICK	LEVER ASSY, KICK STARTER	
R10	BOLT	BOLT	

Suzuki AY 50 Katana KICK STARTER (MODEL X/Y/K1)



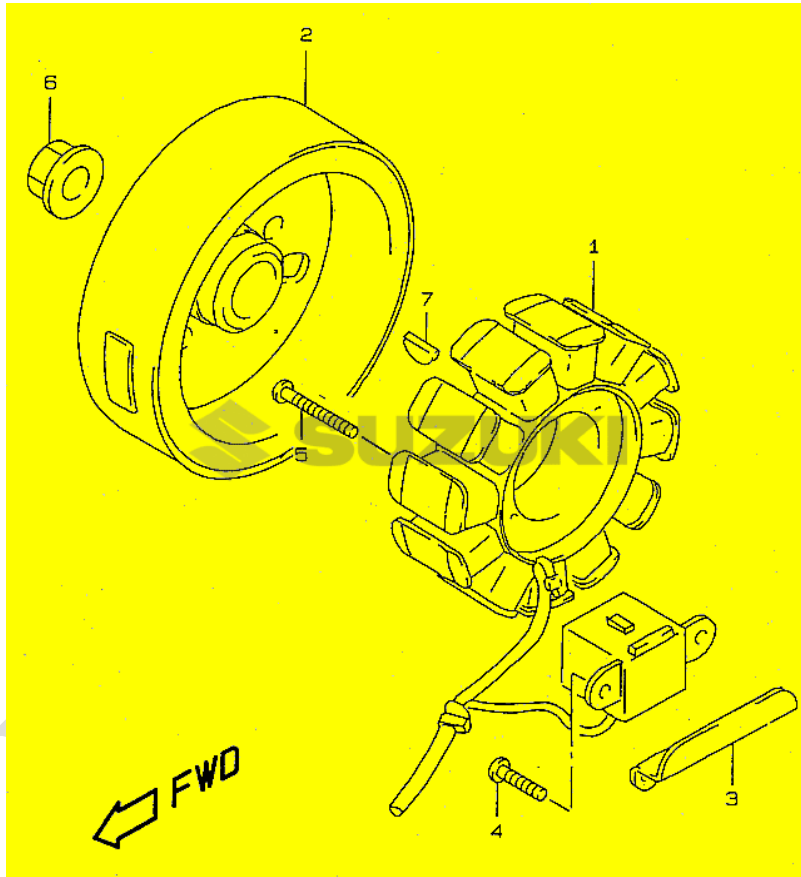
Ind	description1	description2	comment
R1	ARBRE DE KICK	SHAFT, KICK STARTER	
R2	SPRING	SPRING	
R3	BUSH 14X18X15	BUSH (14X18X15)	
R4	PIGNON	GEAR ASSY, KICK STARTER	
R5	POUSSOIR	STARTER, KICK RH	
R6	NUT	NUT	
R7	WASHER, 14X23X3.6	SPACER (14X23X3.6)	
R8	WASHER	WASHER (12.2X22X1.2)	
R9	KICK	LEVER ASSY, KICK STARTER	
R10	BOULON	BOLT	

### Suzuki AY 50 Katana STARTING MOTOR



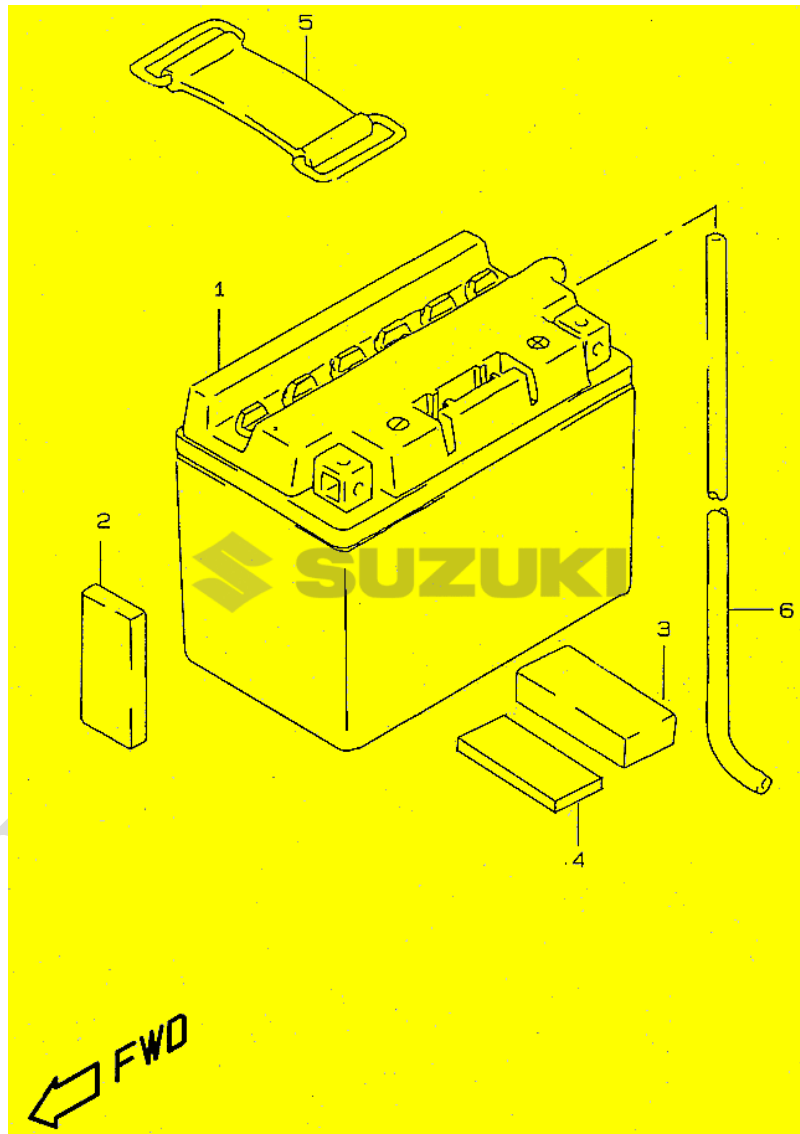
Ind	description1	description2	comment
R1	DEMARREUR	MOTOR ASSY, STARTING	<-- 31100-36C02-X00
R2	ARMATURE AP50W- UX50W	.ARMATURE	
R3	SUPPORT CHARBON	.HOLDER ASSY, BRUSH	
R4	SPRING, BRUSH	..SPRING, BRUSH	
R5	JOINT	.GASKET	
R6	VIS	.SCREW	
R7	JOINT	.O RING (D:2.4,ID:19)	
R8	WIRE, LEAD AP50W	.WIRE, LEAD	
R9	SCREW	.SCREW	
R10	PIGNON DE DEMARREUR	PINION ASSY, STARTING MOTOR	
R11	BOULON	SCREW	

Suzuki AY 50 Katana MAGNETO



Ind	description1	description2	comment
R	VOLANT MAGNETIQUE	MAGNETO ASSY	MODEL V/W
R1	STATOR	.STATOR ASSY	MODEL V/W
R2	ROTOR	.ROTOR	
R3	COLLIER	CLAMP, MAG LEAD	
R4	VIS	SCREW, PULSER	
R5	VIS	SCREW, MAG STATOR	
R6	NUT	NUT (M10X1.25)	
R7	KEY 3MM	KEY	

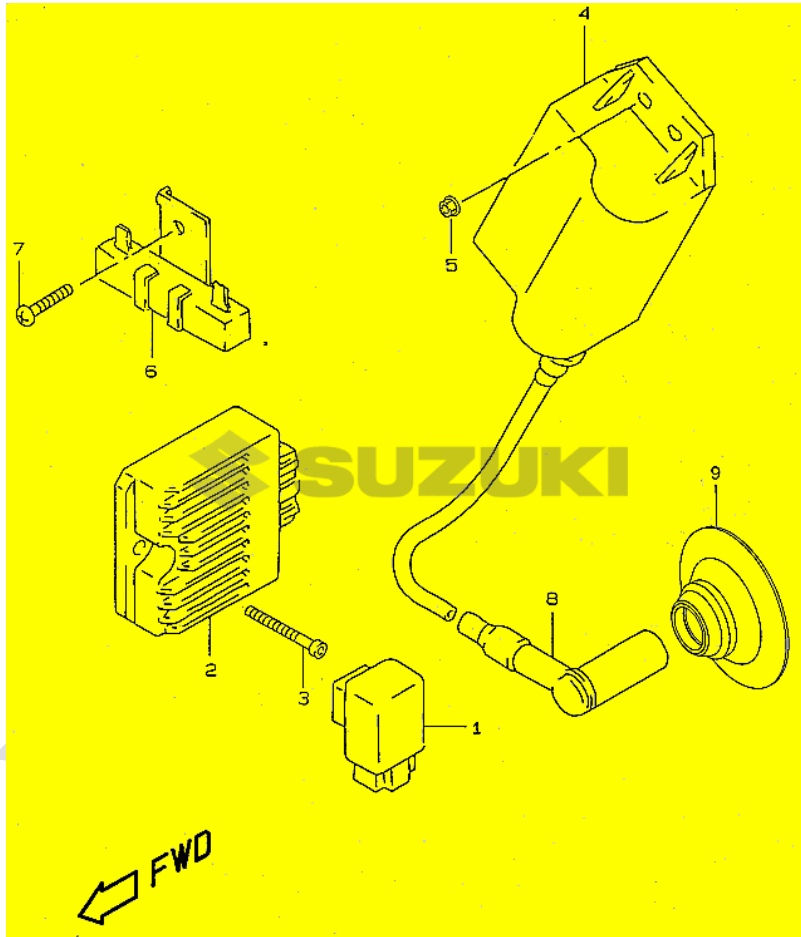
Suzuki AY 50 Katana BATTERY



Ind	description1	description2	comment
R1	BATTERIE	BATTERY (12V,4AH) FB4L-B	P29, P41, P53, P68
R1	BATTERIE	BATTERY (12V,3AH) YT4L-BS	P2, P4, P22, P26, P34, P39
R2	PROTECTOR, BATTERY (45X20X6)	PROTECTOR, BATTERY (45X20X6)	P2, P4, P22, P26, P34, P39
R3	CAOUTCHOUC	CUSHION, BATTERY	P2, P4, P22, P26, P34, P39
R4	CAOUTCHOUC	CUSHION, BATTERY (30X15X3)	P29, P41, P53, P68
R5	BAND	BAND, BATTERY	
R6	PIECE	HOSE, BATTERY	P29, P41, P53, P68

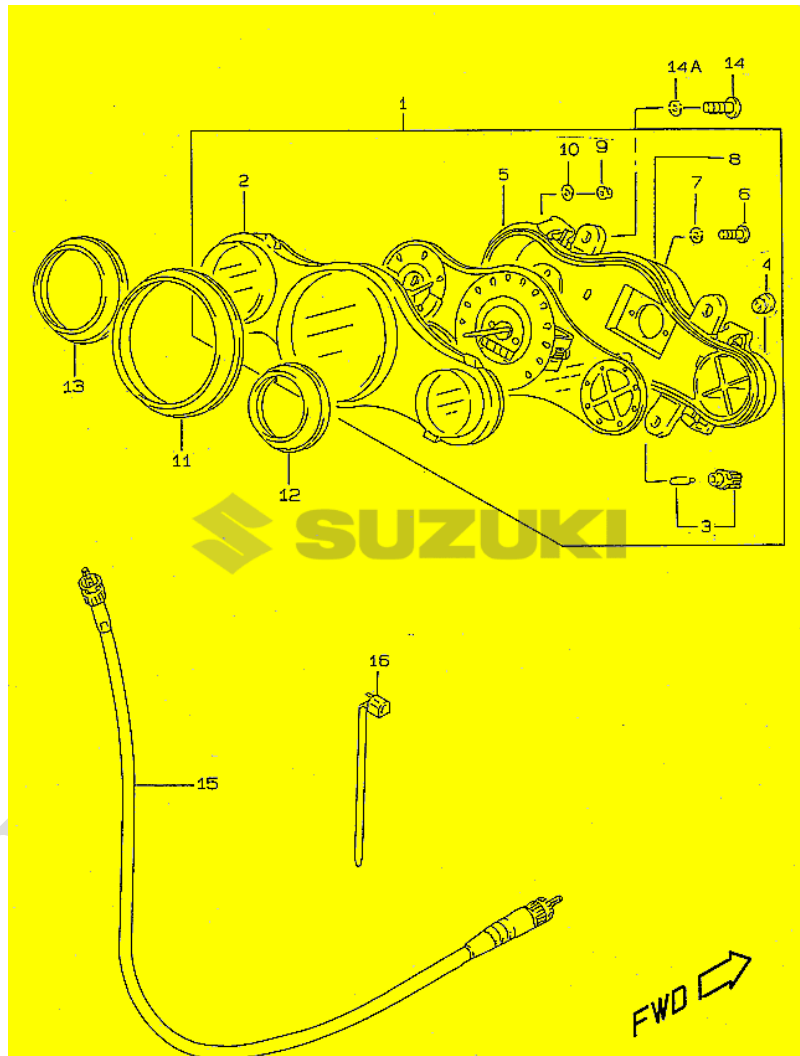


Suzuki AY 50 Katana ELECTRICAL



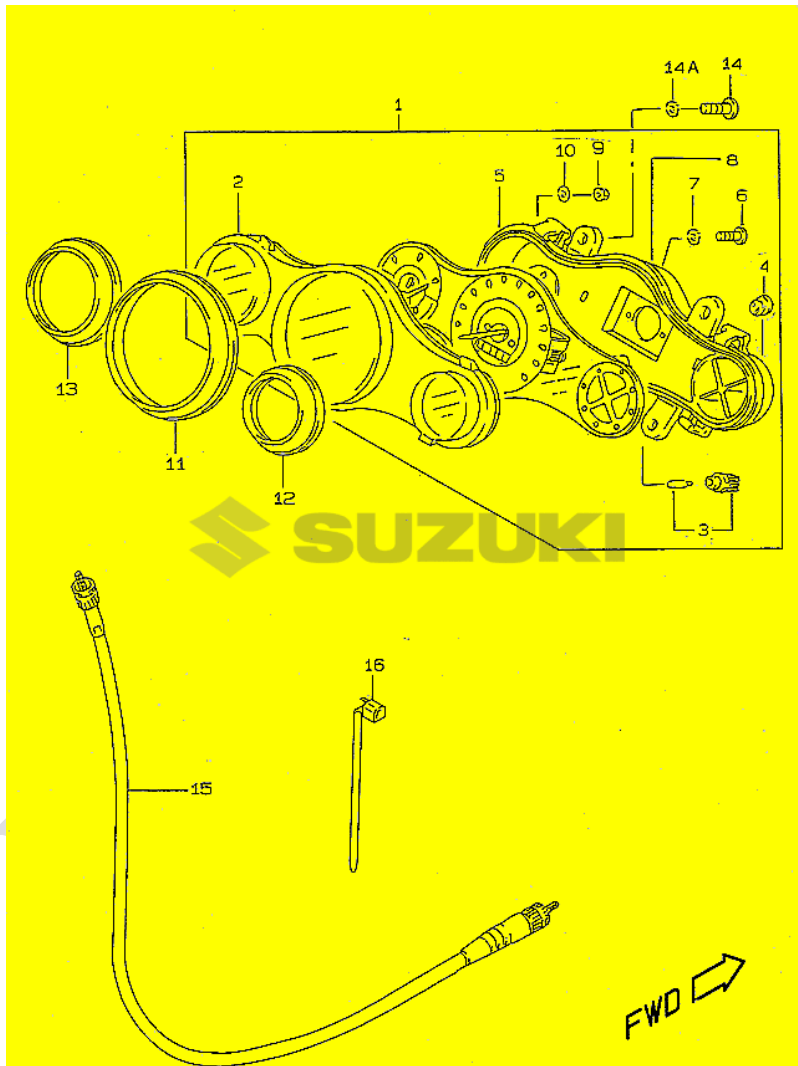
Ind	description1	description2	comment
R1	RELAIS	RELAY ASSY, STARTING MOTOR	
R2	CELLULE	RECTIFIER ASSY	
R3	BOULON	SCREW	
R4	UNIT & COIL ASSY, IGNITION	UNIT & COIL ASSY, IGNITION	-->33410-02E00
R5	ECROU	NUT	
R6	RESISTER ASSY	RESISTER ASSY	-->36510-09E01
R7	SCREW	SCREW	

Suzuki AY 50 Katana SPEEDOMETER (MODEL V/W/X/Y)



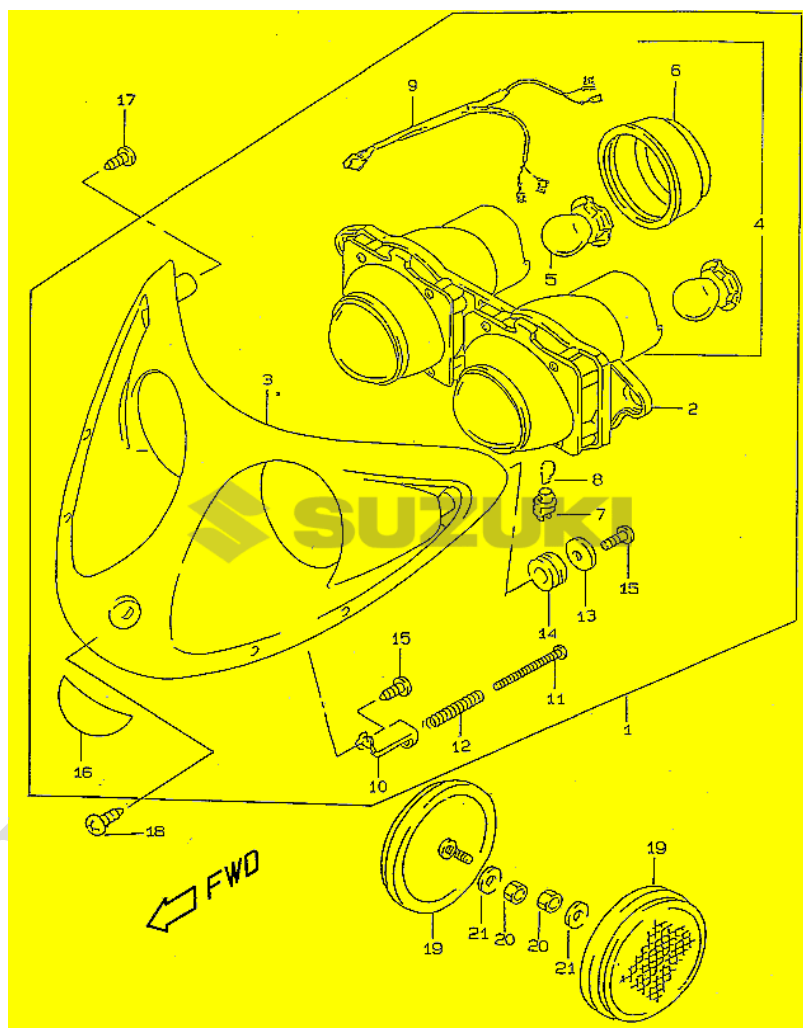
Ind	description1	description2	comment
R2	CACHE	.LENS	
R5	BOITIER	.BODY, LOWER	
R6	VIS	.SCREW	
R7	RONDELLE UF50	..WASHER	
R8	SUPPORT	..BOARD, CIRCUIT	
R9	ECROU	..NUT	
R10	RONDELLE	..WASHER	
R11	JOINT C/C	CUSHION, SPEEDOMETER	
R12	JOINT C/C	CUSHION, PILOT LAMP	
R13	JOINT C/C	CUSHION, FUEL METER	
R14	VIS	SCREW	
R14A	RONDELLE UF50	WASHER	
R15	CABLE	CABLE ASSY, SPEEDOMETER	
R16	COLLIER	CLAMP	

Suzuki AY 50 Katana SPEEDOMETER (MODEL K1)



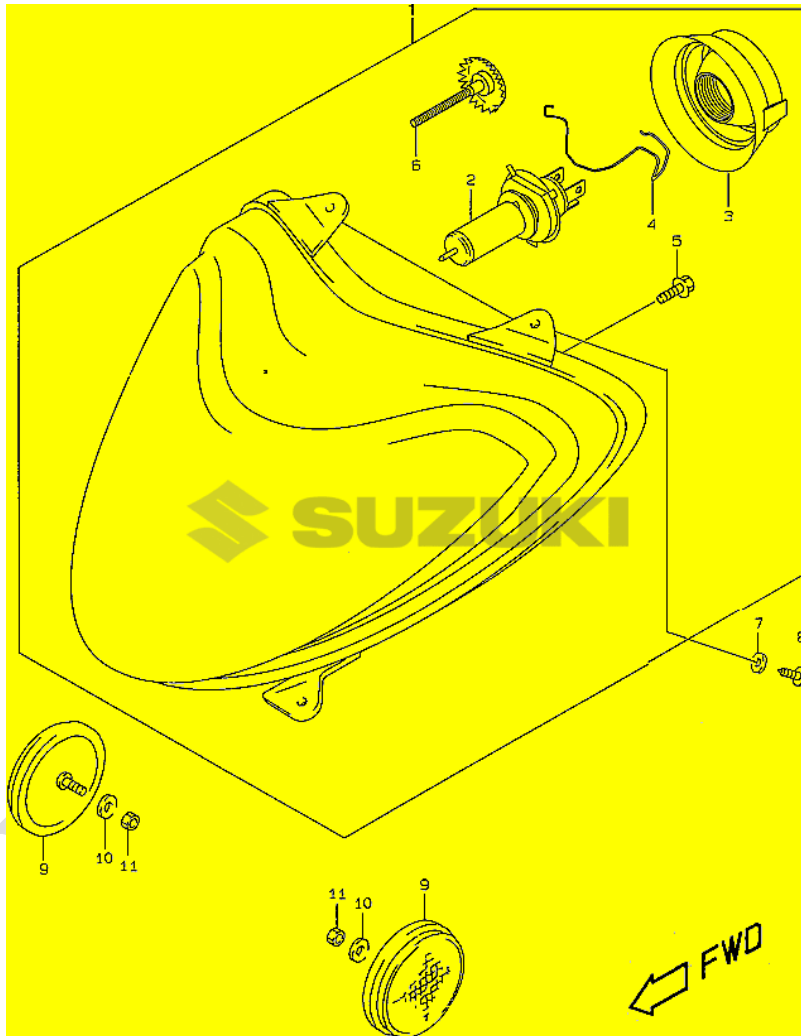
Ind	description1	description2	comment
R2	GLACE	.LENS	
R3	PIECE	.SOCKET&BULB (12V, 1,2W),	
R3	PORTE AMPOULE	.SOCKET&BULB (12V, 3W)	
R5	BOITIER	.BODY, LOWER	
R6	VIS	.SCREW	
R7	RONDELLE	.WASHER	
R8	SUPPORT	.BOARD, CIRCUIT	
R9	ECROU	.NUT	
R10	RONDELLE	.WASHER	
R11	JOINT C/C	CUSHION, SPEEDOMETER	
R12	JOINT C/C	CUSHION, PILOT LAMP	
R13	JOINT C/C	CUSHION, FUEL METER	
R14	VIS	SCREW	
R14A	RONDELLE UF50	WASHER	
R15	CABLE	CABLE ASSY, SPEEDOMETER	
R16	COLLIER	CLAMP	

Suzuki AY 50 Katana HEADLAMP (MODEL V/W/X/Y)



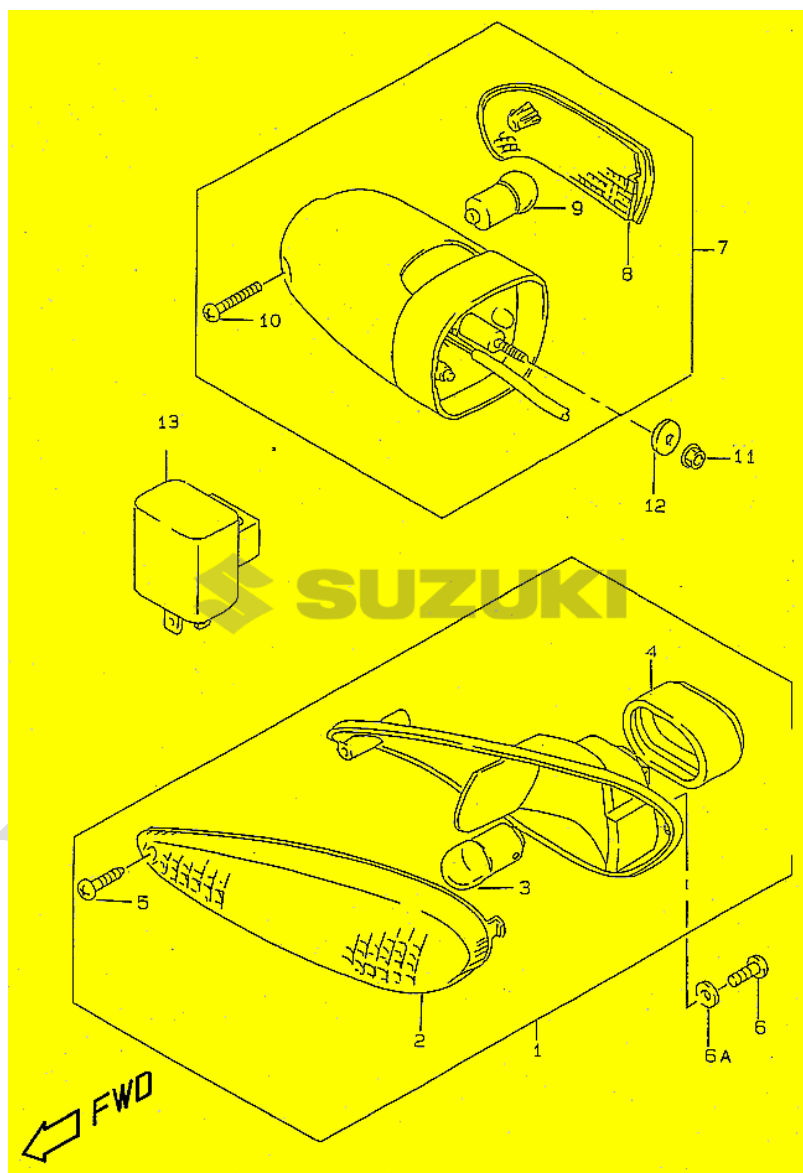
Ind	description1	description2	comment
R1	PHARE COMPLET	HEADLAMP ASSY	
R1	HEADLAMP ASSY	HEADLAMP ASSY	P2
R2	PORTE AMPOULE	.HEADLAMP, HOLDER	
R3	ENTOURAGE DE PHARE	.COVER, HEADLAMP	
R4	OPTIQUE COMPLET	.LAMP, ASSY	
R4	LAMP, ASSY	.LAMP, ASSY	P2
R5	BULB	..BULB (P26 12V,15W)	
R6	CAPUCHON	..COVER, SOCKET	
R7	CAOUTCHOUC	..SOCKET	P2
R8	BULB	..BULB ( 12V,3,4W)	P2
R9	FAISCEAU	.HARNESS, WIRING 2	
R9	HARNESS, WIRING 2	.HARNESS, WIRING 2	P2
R10	PLATE, HEDLAMP ADJUST	.PLATE, HEDLAMP ADJUST	
R11	VIS	.SCREW, ADJUST	
R12	SPRING	.SPRING	
R13	RONDELLE UF50	.WASHER (4,3X20X1,4)	
R14	CAOUTCHOUC	.CUSHION	
R15	SCREW, HEADLAMP & PLATE	.SCREW, HEADLAMP & PLATE	
R16	ADHESIF "CAMPAGNE" PHARE AY 5*	.SHIELD, COVER HEADLAMP	
R17	VIS	SCREW, HEADLAMP COVER	
R18	VIS	SCREW, HEADLAMP COVER	
R19	CATADIOPTRE	REFLEX REFLECTOR ASSY, FRONT	
R20	ECROU	NUT	
R21	RONDELLE UF50	WASHER	

Suzuki AY 50 Katana HEADLAMP (MODEL K1)



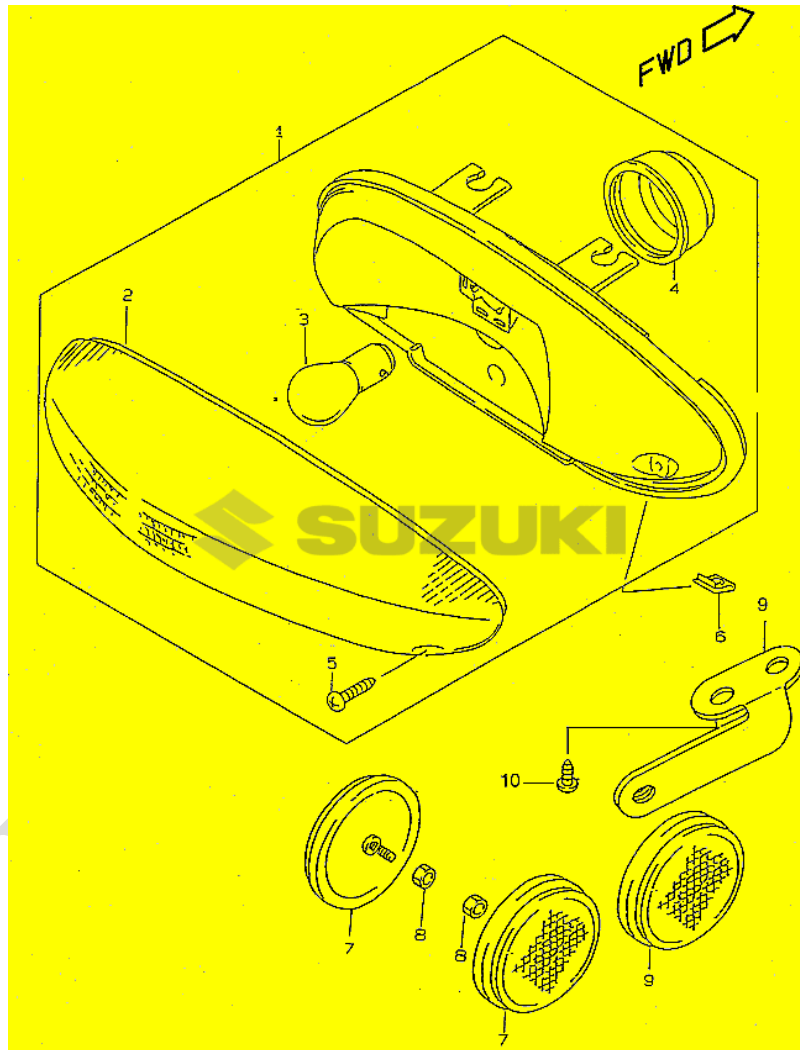
Ind	description1	description2	comment
R1	OPTIQUE COMPLET	HEADLAMP ASSY	
R1	HEADLAMP ASSY	HEADLAMP ASSY	P2
R2	BULB 12V 35/35W AY50(WR)/K1-	.BULB, HALOGEN (12V, 35/35W HS	
R3	CAOUTCHOUC	.COVER, SOCKET	
R4	AGRAPHE	.CIRCLIP	
R5	BOULON	.BOLT	
R6	BOULON	.BOLT	
R7	RONDELLE UF50	WASHER	
R8	VIS	SCREW	
R9	CATADIOPTRE	REFLEX REFLECTOR ASSY, FRONT	
R10	RONDELLE UF50	WASHER	
R11	ECROU	NUT	

### Suzuki AY 50 Katana TURNSIGNAL



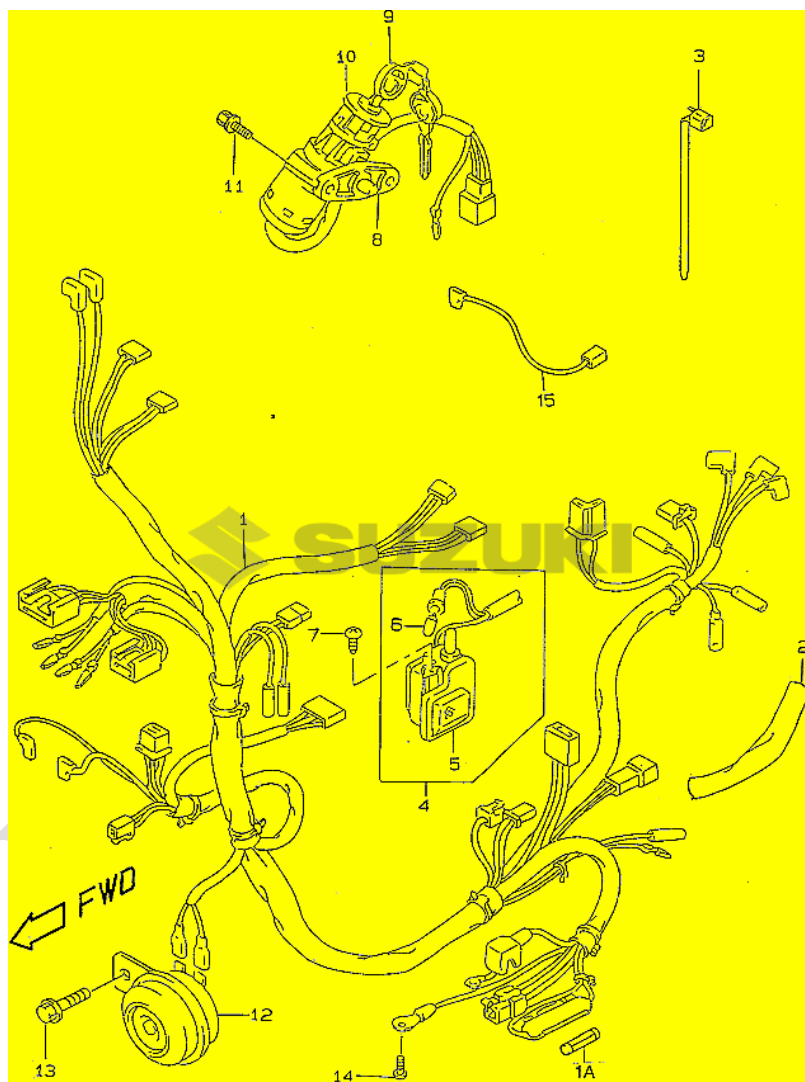
Ind	description1	description2	comment
R1	CLIGNOTANT	LAMP ASSY, FRONT TURN RH	
R1	CLIGNOTANT	LAMP ASSY, FRONT TURN LH	
R2	CABOCHON	.LENS, TURN SIGNAL LAMP LH	
R2	CABOCHON	.LENS, TURN SIGNAL LAMP RH	
R3	AMPOULE ( 12V,10W )	.BULB (BA 15S 12V,10W)	
R4	CAOUTCHOUC	.BOOT, FRONT TURN	
R5	SCREW	.SCREW	
R6	VIS	SCREW	
R6A	RONDELLE UF50	WASHER	
R7	CLIGNOTANT	LAMP ASSY, REAR TURN RH	
R7	CLIGNOTANT	LAMP ASSY, REAR TURN LH	
R8	CABOCHON	.LENS, REAR TURN RH/LH	
R9	AMPOULE ( 12V,10W )	.BULB (BA 15S 12V,10W)	
R10	VIS	.TAPPING, SCREW	
R11	ECROU	NUT	
R12	RONDELLE UF50	WASHER, REAR TURN	
R13	BOITE CLIGNOTANTE	RELAY ASSY, TURNSIGNAL	

Suzuki AY 50 Katana REAR COMBINATION LAMP



Ind	description1	description2	comment
R1	FEU AR.	LAMP ASSY, REAR COMB.	MODEL V/W/X/Y
R1	FEU AR	LAMP ASSY, REAR COMB.	P39
R2	CABOCHON	.LENS, TAIL LAMP	MODEL V/W/X/Y
R2	CABOCHON	.LENS, TAIL LAMP	P39
R3	BULB,12V,21/5W	.BULB (12V, 5/21W)	
R4	BOOT,TAIL LAMP	.BOOT,TAIL LAMP	
R5	SCREW	.SCREW	
R6	AGRAPHÉ	NUT	
R7	CATADIOPTRE	REFLEX REFLECTOR ASSY, RR	MODEL V/W P39
R8	ECROU	NUT	MODEL V/W P39
R9	BRACKET, R. REFLECTOR RH	BRACKET, R. REFLECTOR RH	MODEL V/W P39
R9	BRACKET, R. REFLECTOR LH	BRACKET, R. REFLECTOR LH	MODEL V/W P39
R10	SCREW	SCREW	MODEL V/W P39

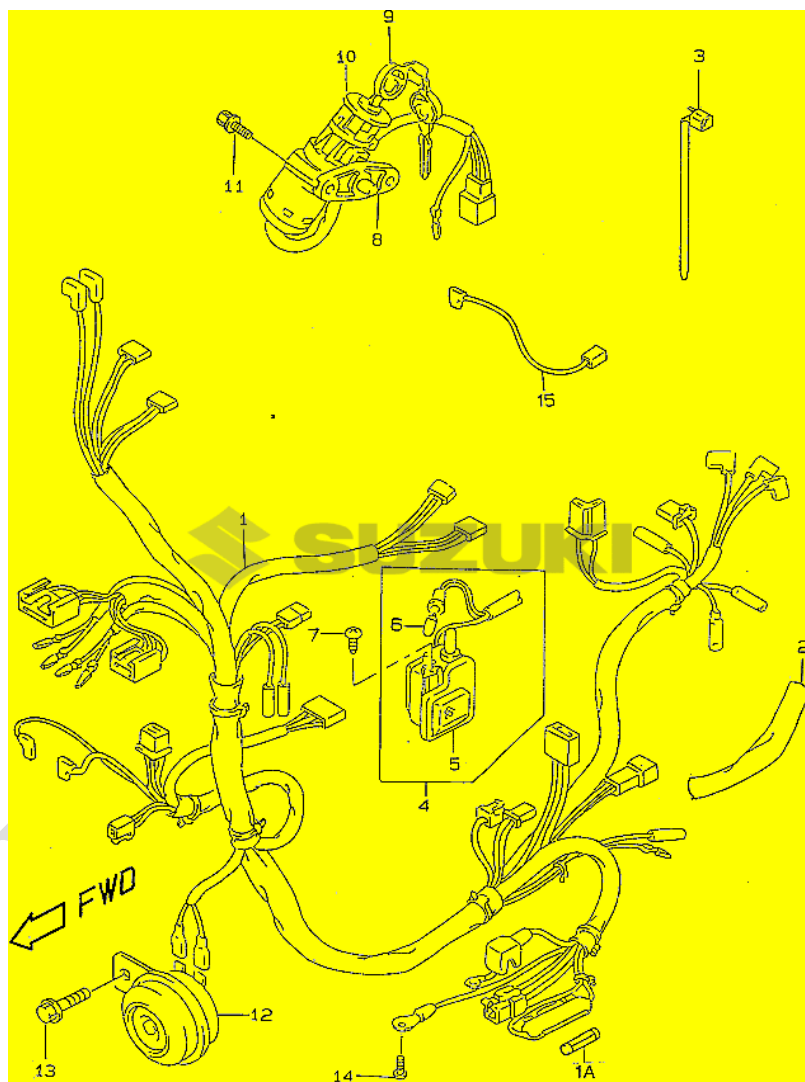
### Suzuki AY 50 Katana WIRING HARNESS (MODEL V/W/X/Y)



Ind	description1	description2	comment
R1	HARNESS WIRING	HARNESS WIRING	MODEL AY50 V/W
R1	HARNESS WIRING	HARNESS WIRING	MODEL AY50 V/W P2
R1	HARNESS WIRING	HARNESS WIRING	MODEL AY50W/MR V/W
R1	HARNESS WIRING	HARNESS WIRING	MODEL AY50W/MR V/W P2
R1A	FUSE,10A	. FUSE (10A)	
R2	TUBE CABLAGE	TUBE, WIRING	
R3	COLLIER UF50	CLAMP	
R3	CLAMP	CLAMP	
R4	LAMPE DE COFFRE	LAMP ASSY, TRUNK BOX	
R5	GLASS	.LENS	
R6	AMPOULE	.BULB (13.5V,2W)	
R7	VIS *	SCREW	
R8	SERRURE	LOCK ASSY, STEERING	
R8	LOCK ASSY STEERI	LOCK ASSY, STEERING	P2
R9	EBAUCHE	KEY, BLANK	
R10	CAP,STEERING LOC	CUP, IGNITION SWITCH	P2
R10	CACHE CONTACTEUR	CUP, IGNITION SWITCH	
R11	BOLT	BOLT, LOCK ASSY	P18, P22, P39
R12	AVERTISSEUR	HORN ASSY	
R14	VIS	BOLT	
R15	FAISCEAU	WIRE, CARB. HEATER LEAD	OPT.

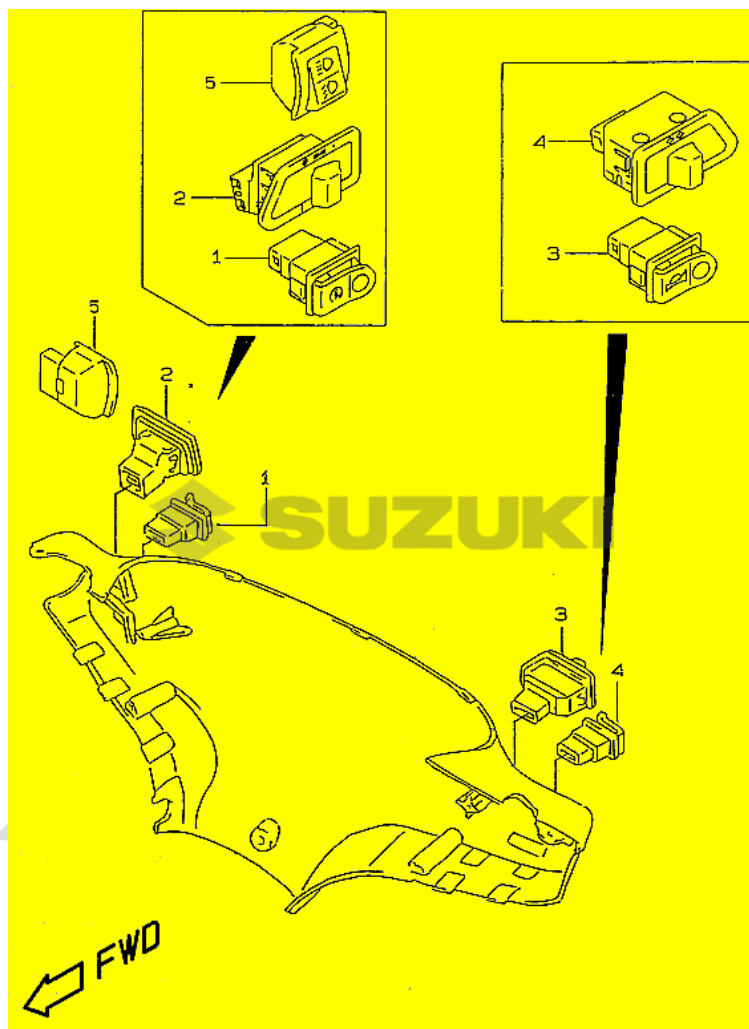


### Suzuki AY 50 Katana WIRING HARNESS (MODEL K1)



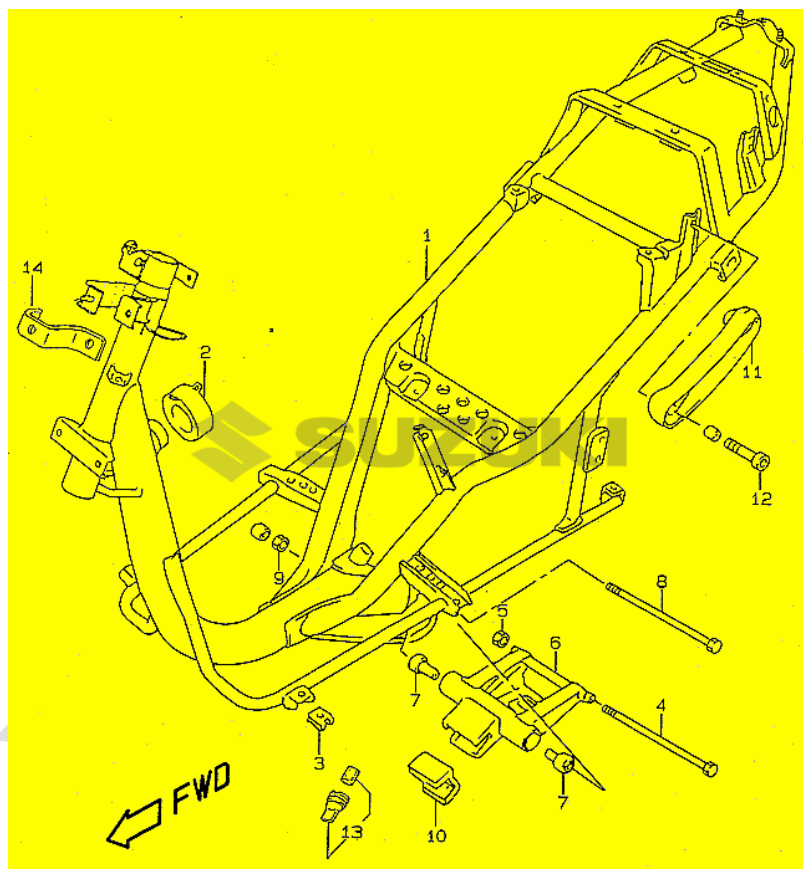
Ind	description1	description2	comment
R1	FUSE,10A	. FUSE (10A)	
R2	TUBE CABLAGE	TUBE, WIRING	
R3	COLLIER UF50	CLAMP	
R3	CLAMP	CLAMP	
R4	LAMPE DE COFFRE	LAMP ASSY, TRUNK BOX	
R5	GLASS	.LENS	
R6	AMPOULE	.BULB (13.5V, 2W)	
R7	VIS *	SCREW	
R8	SERRURE	LOCK ASSY, STEERING	
R8	LOCK ASSY STEERI	LOCK ASSY, STEERING	P2
R9	EBAUCHE	KEY, BLANK	
R10	CAP,STEERING LOC	CUP, IGNITION SWITCH	P2
R10	CACHE CONTACTEUR	CUP, IGNITION SWITCH	
R11	BOLT	BOLT, LOCK ASSY	P18, P22, P39
R12	AVERTISSEUR	HORN ASSY	
R14	VIS	BOLT	
R15	FAISCEAU	WIRE, CARB. HEATER LEAD	OPT.

Suzuki AY 50 Katana SWITCH ASSY



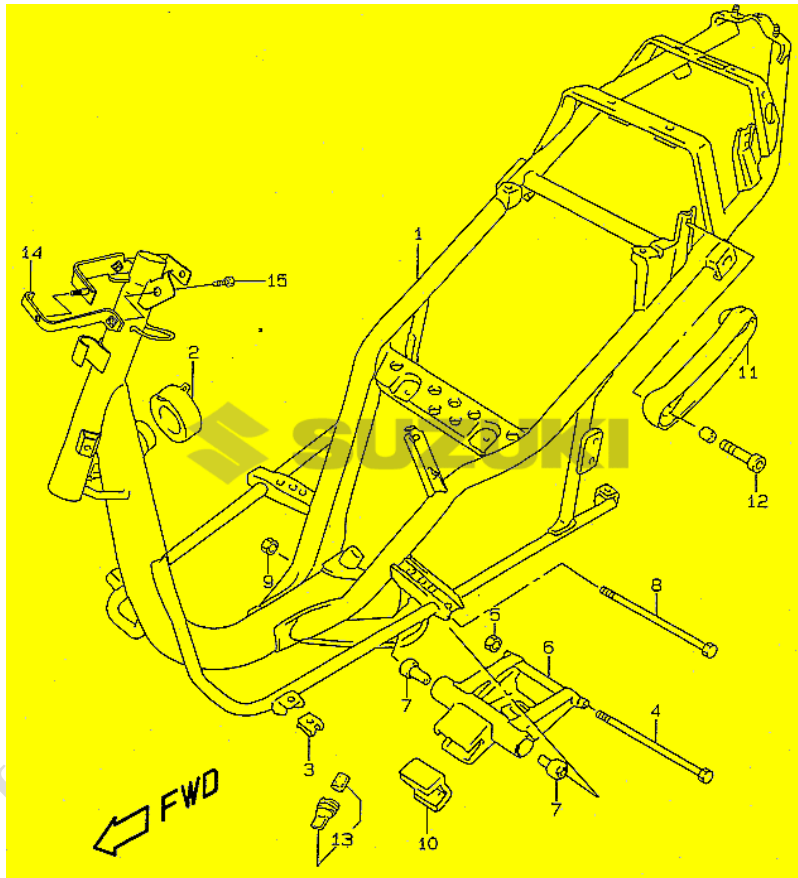
Ind	description1	description2	comment
R1	COMMUTATEUR DEMARREUR	SWITCH ASSY, STARTER	
R2	COMMUTATEUR	SWITCH ASSY, LIGHTING	
R3	COMMUTATEUR	SWITCH ASSY, TURNSIGNAL	
R4	COMMUTATEUR	SWITCH ASSY, HORN	

Suzuki AY 50 Katana FRAME (MODEL V/W/X/Y)



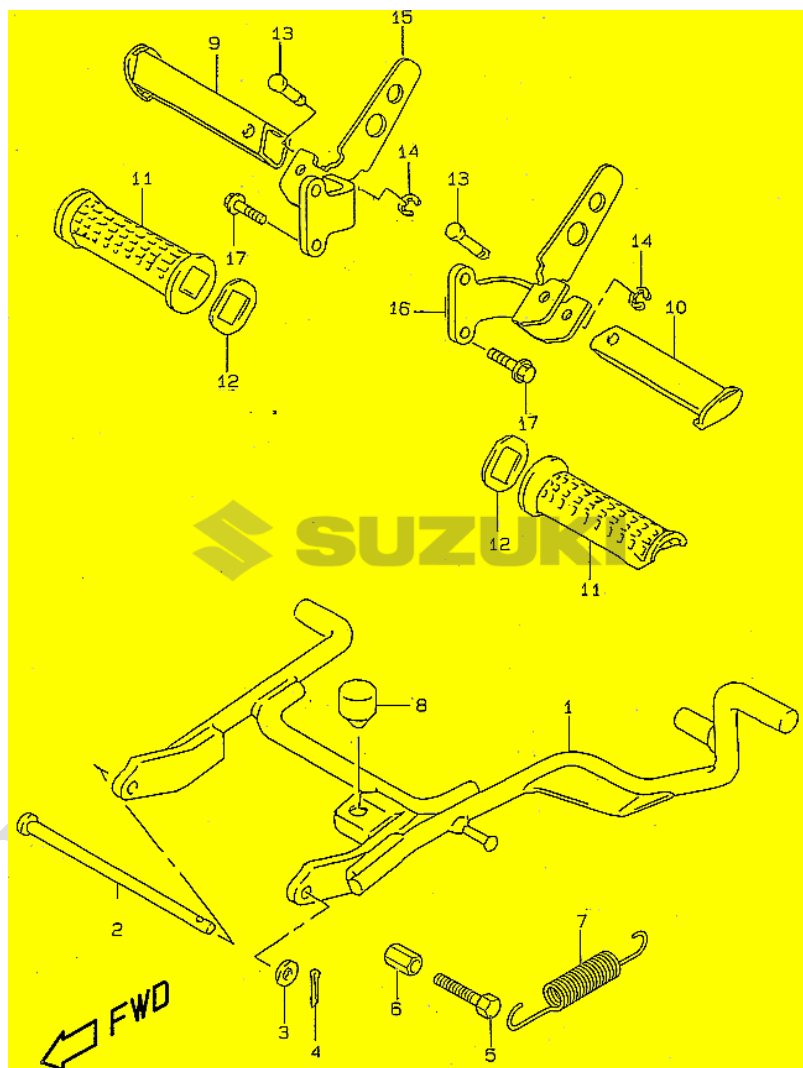
Ind	description1	description2	comment
R2	SILENTBLOC	CUSHION	
R3	ECROU	NUT	MODEL AY50V
R4	PIECE	BOLT (M10X190)	
R4	BOULON	BOLT (M10X190)	
R5	ECROU 10	NUT	
R6	BRACKET, CRANKCASE	BRACKET, CRANKCASE	-->41180-02E00-EE3
R7	BUSH	BUSH	
R8	BOULON	BOLT, ENGINE MOUNT (M10X180)	
R9	NUT	NUT	-->D8319-69103
R10	CUSHION, SWING STOP	CUSHION, SWING STOP	
R11	POIGNEE	GRIP, STAND	
R12	BOULON	BOLT	
R13	TUBE DE VIDANGE	TUBE DRAIN, SET	

Suzuki AY 50 Katana FRAME (MODEL K1)



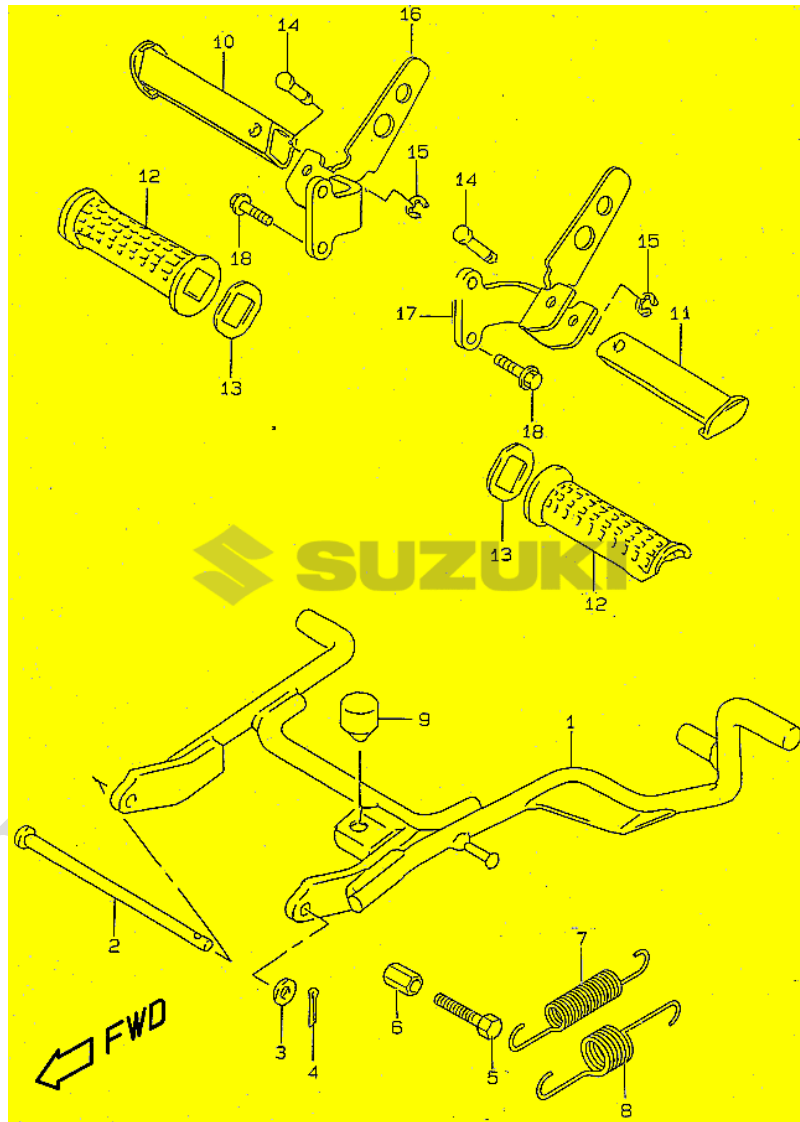
Ind	description1	description2	comment
R1	CADRE	FRAME	
R1	FRAME	FRAME	P26
R1	FRAME	FRAME	P2
R2	SILENTBLOC	CUSHION	
R3	ECROU	NUT	
R4	PIECE	BOLT (M10X190)	
R4	BOULON	BOLT (M10X190)	
R5	ECROU 10	NUT	
R6	SUPPORT MOTEUR	BRACKET, CRANKCASE	
R7	BUSH	BUSH	
R8	BOULON	BOLT, ENGINE MOUNT (M10X180)	
R9	ECROU	NUT	
R10	CUSHION, SWING STOP	CUSHION, SWING STOP	
R11	POIGNEE	GRIP, STAND	
R12	BOULON	BOLT	
R13	TUBE DE VIDANGE	TUBE DRAIN, SET	
R14	PLATE AY50W/K3-	PLATE, LEG SHIELD BRK, UPPER	
R15	BOULON	BOLT	

Suzuki AY 50 Katana STAND (MODEL V/W)



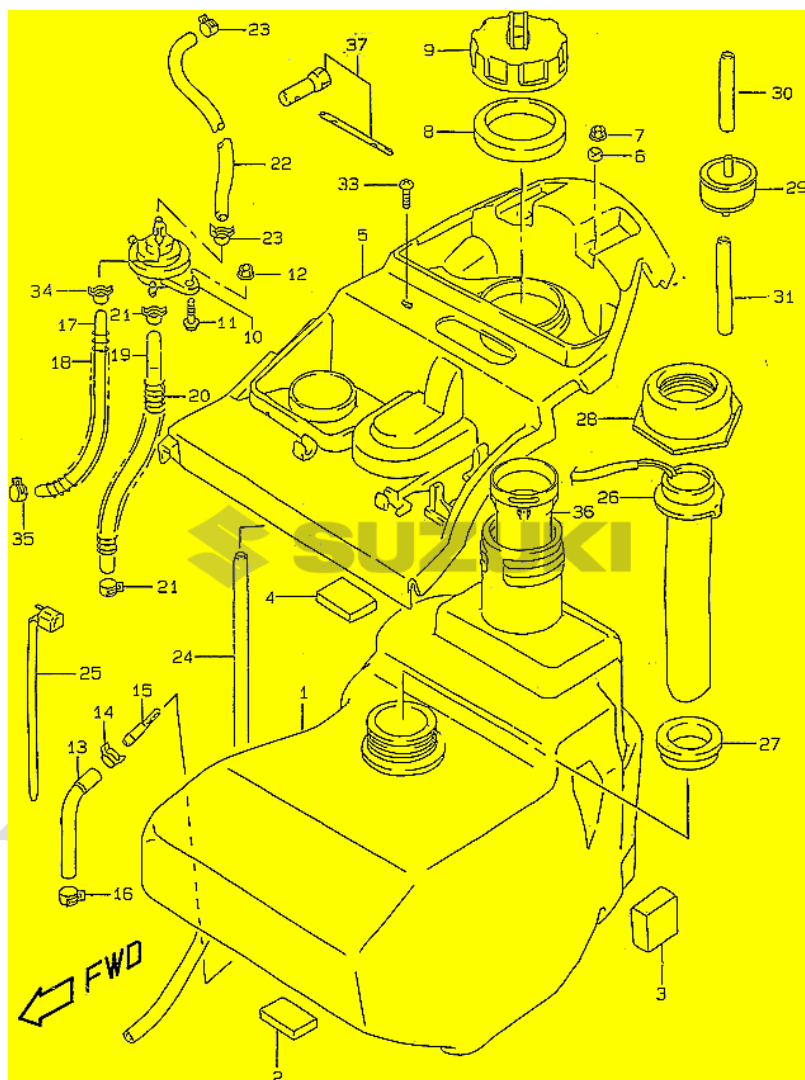
Ind	description1	description2	comment
R1	BEQUILLE	STAND, CENTER	
R2	SHAFT, CENTER STAND	SHAFT, CENTER STAND	
R3	RONDELLE 8 UX50W/X	WASHER	
R4	VIS	COTTER PIN	
R5	BOULON 6X33	BOLT	
R6	ECROU *	NUT	
R7	RESSORT	SPRING	
R8	CUSHION	CUSHION	
R9	BARRE REPOSE-PIED D.	BAR, PILLION FOOTREST RH	P2, P4, P22, P29, P39, P41
R10	BARRE REPOSE-PIED G.	BAR, PILLION FOOTREST LH	P2, P4, P22, P29, P39, P41
R11	CAOUTCHOUC	RUBBER	P2, P4, P22, P29, P39, P41
R12	RONDELLE	WASHER	P2, P4, P22, P29, P39, P41
R13	AXE	PIN	P2, P4, P22, P29, P39, P41
R14	RONDELLE	E RING	P2, P4, P22, P29, P39, P41
R15	BRACKET, PILLION RH	BRACKET, PILLION RH	P2, P4, P22, P29, P39, P41
R16	SUPPORT	BRACKET, PILLION LH	P2, P4, P22, P29, P39, P41
R17	BOLT	BOLT	P2, P4, P22, P29, P39, P41

Suzuki AY 50 Katana STAND (MODEL X/Y/K1)



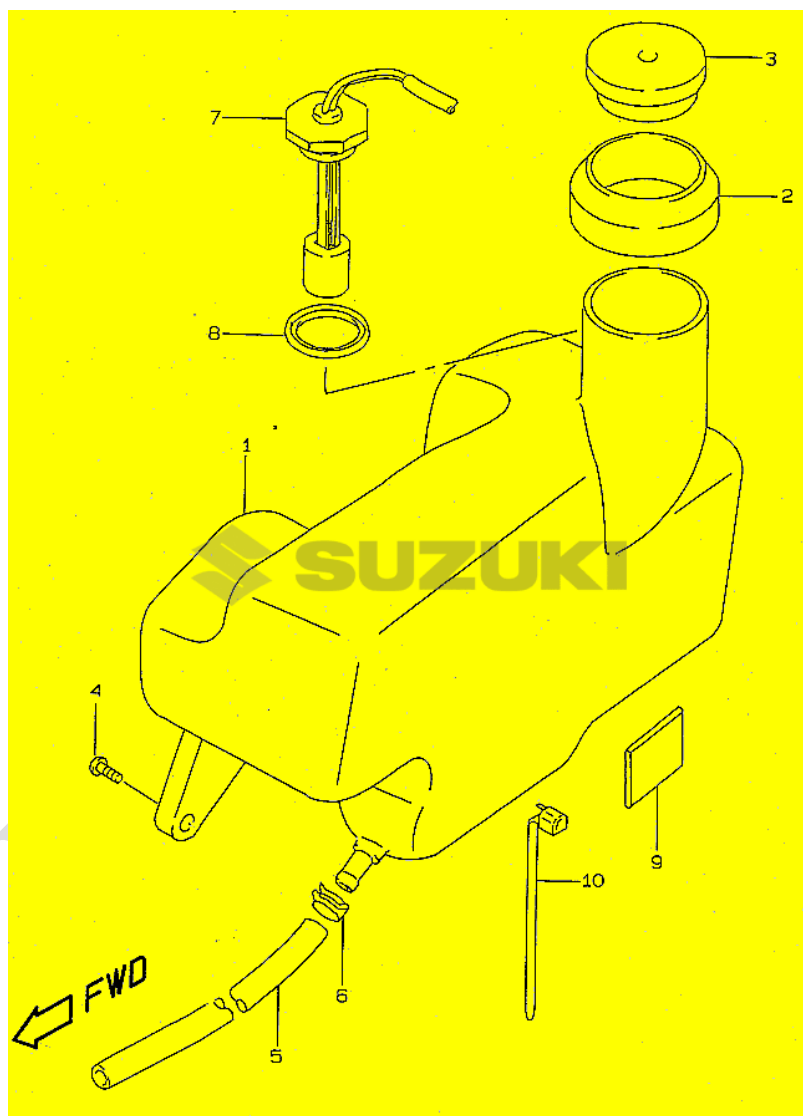
Ind	description1	description2	comment
R1	BEQUILLE CENTRALE	STAND, CENTER	<--42100-35E10-EE3
R1	STAND AY50/X-	STAND, CENTER	<--42100-35E20-EE3
R2	AXE	SHAFT, CENTER STAND	<--42211-09EF0-E0N
R3	RONDELLE 8 UX50W/X	WASHER	
R4	VIS	COTTER PIN	
R5	BOULON 6X33	BOLT	
R6	ECROU *	NUT	
R7	SPRING, INNER	SPRING, INNER	
R8	SPRING, OUTER	SPRING, OUTER	
R9	CUSHION	CUSHION	
R10	BARRE REPOSE-PIED D.	BAR, PILLION FOOTREST RH	P2,P4,P18,P22,P29,P39,P41,P53,P68
R11	BARRE REPOSE-PIED G.	BAR, PILLION FOOTREST LH	P2,P4,P18,P22,P29,P39,P41,P53,P68
R12	CAOUTCHOUC	RUBBER	P2,P4,P18,P22,P29,P39,P41,P53,P68
R13	RONDELLE	WASHER	P2,P4,P18,P22,P29,P39,P41,P53,P68
R14	AXE	PIN	P2,P4,P18,P22,P29,P39,P41,P53,P68
R15	RONDELLE	E RING	P2,P4,P18,P22,P29,P39,P41,P53,P68
R16	SUPPORT	BRACKET, PILLION RH	P2,P4,P18,P22,P29,P39,P41,P53,P68
R17	SUPPORT	BRACKET, PILLION LH	P2,P4,P18,P22,P29,P39,P41,P53,P68
R18	BOLT	BOLT	P2,P4,P18,P22,P29,P39,P41,P53,P68

### Suzuki AY 50 Katana FUEL TANK



Ind	description1	description2	comment
R1	RESERVOIR	TANK, FUEL	
R1	AY 50 KATANA	TANK, FUEL	P39
R2	RIVET	CUSHION, NO.1	
R3	PROTECTION	CUSHION, NO.2	
R4	CAOUTCHOUC	CUSHION, NO.3	
R5	SUPPORT	TRAY, FUEL DRAIN	
R6	SPACER,6.5X9X7	SPACER	MODEL V
R7	ECROU	NUT	
R8	CAOUTCHOUC	RUBBER, INLET	
R9	CAP, FUEL TANK	CAP, FUEL TANK	
R10	ROBINET	COCK ASSY, FUEL	
R11	BOULON	BOLT	
R12	ECROU	NUT	
R13	DURIT	HOSE, INLET	
R14	CIRCLIP UF50	CLIP, FILTER	
R15	FILTRE	FILTER, FUEL	-->44322-02E10
R16	COLLIER UF50	CLIP	
R17	DURIT	HOSE, VACUUM	EXCEPT MODEL V P4
R18	COMPTEUR	SPRING, VACUUM HOSE	<--09440-13035
R19	DURIT	HOSE, OUTLET	
R20	COMPTEUR	SPRING, OUTLET	<--09440-13035
R21	CLIP	CLIP	
R22	DURIT	HOSE, AIR VENT	
R23	CLIP	CLIP	
R24	HOSE, DRAIN	HOSE, DRAIN	
R25	CLAMP	CLAMP	
R25	COLLIER	CLAMP	MODEL V P4
R26	JAUGE A ESSENCE	GAUGE, FUEL LEVEL	
R27	JOINT	GASKET	
R28	CAP	CAP	
R29	CLAPET	VALVE, VACUUM TRANSMIT	MODEL V P4
R30	HOSE, VACUUM NO.1	HOSE, VACUUM NO.1	MODEL V P4
R31	HOSE, VACUUM NO.2	HOSE, VACUUM NO.2	MODEL V P4
R32	HOLDER VTU	HOLDER VTU	MODEL V P4 NOT SHOWN
R33	BOLT	BOLT	
R34	CLIP, VACUUM HOSE	CLIP, VACUUM HOSE	
R35	CLIP, VACUUM HOSE	CLIP, VACUUM HOSE	
R36	PIECE	TUBE, INLET	P39
R37	TROUSSE A OUTILS	TOOL ASSY	
R37	TOOL ASSY	TOOL ASSY	P22, P39

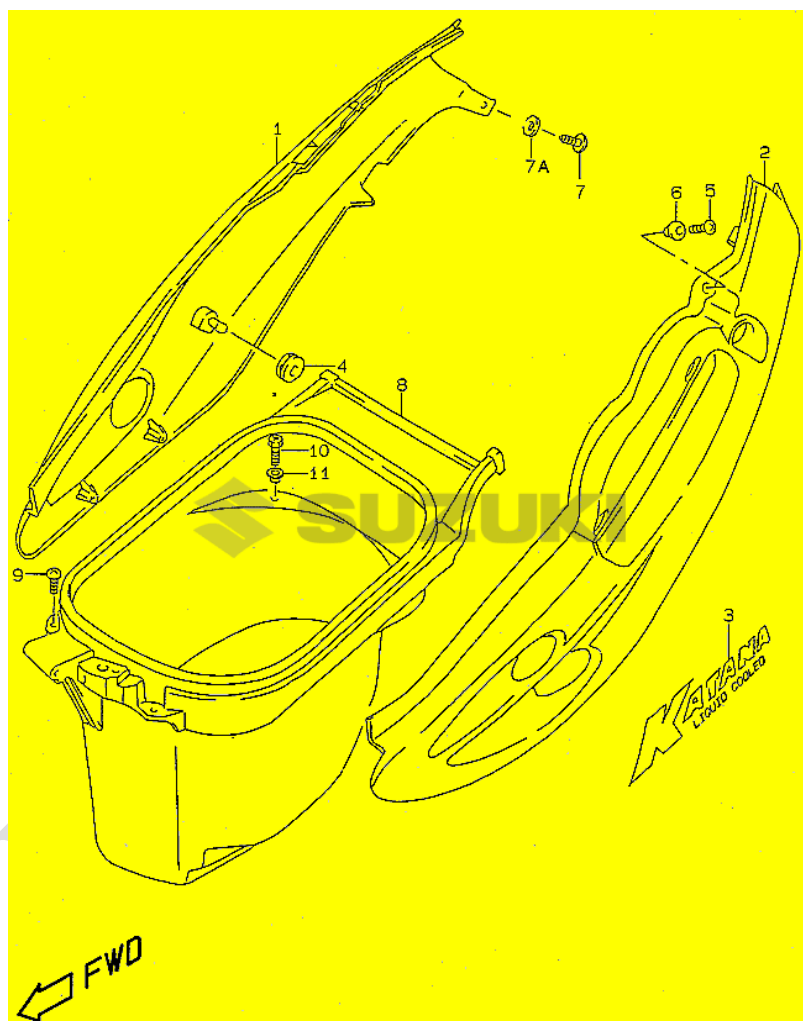
### Suzuki AY 50 Katana OIL TANK



Ind	description1	description2	comment
R1	RESERVOIR D'HUILE	TANK, OIL	
R2	CAOUTCHOUC	RUBBER, INLET	
R3	BOUCHON D'HUILE	CAP	
R4	VIS	BOLT	
R5	DURIT	HOSE, DRAIN	
R6	CLIP AY50	CLIP	
R7	CONTACTEUR	SWITCH ASSY, OIL LEVEL	<-37880-09E00-X00
R8	JOINT	GASKET	
R9	RIVET	CUSHION	
R10	COLLIER	CLAMP	

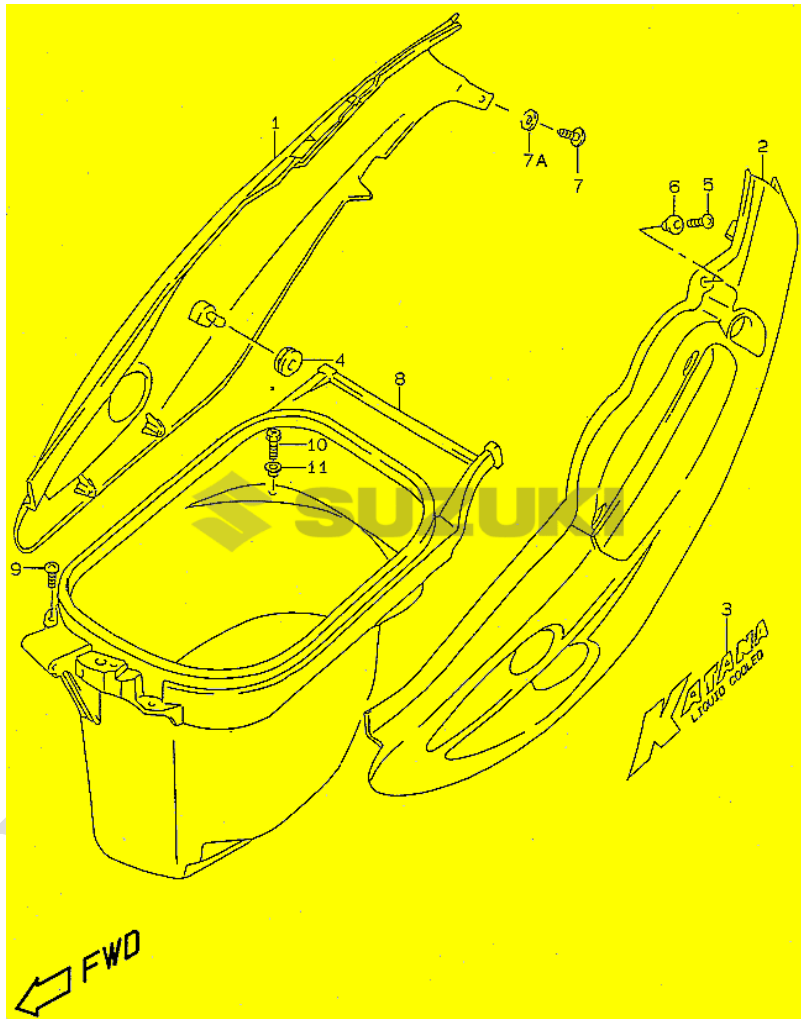


Suzuki AY 50 Katana FRAME COVER (MODEL V)



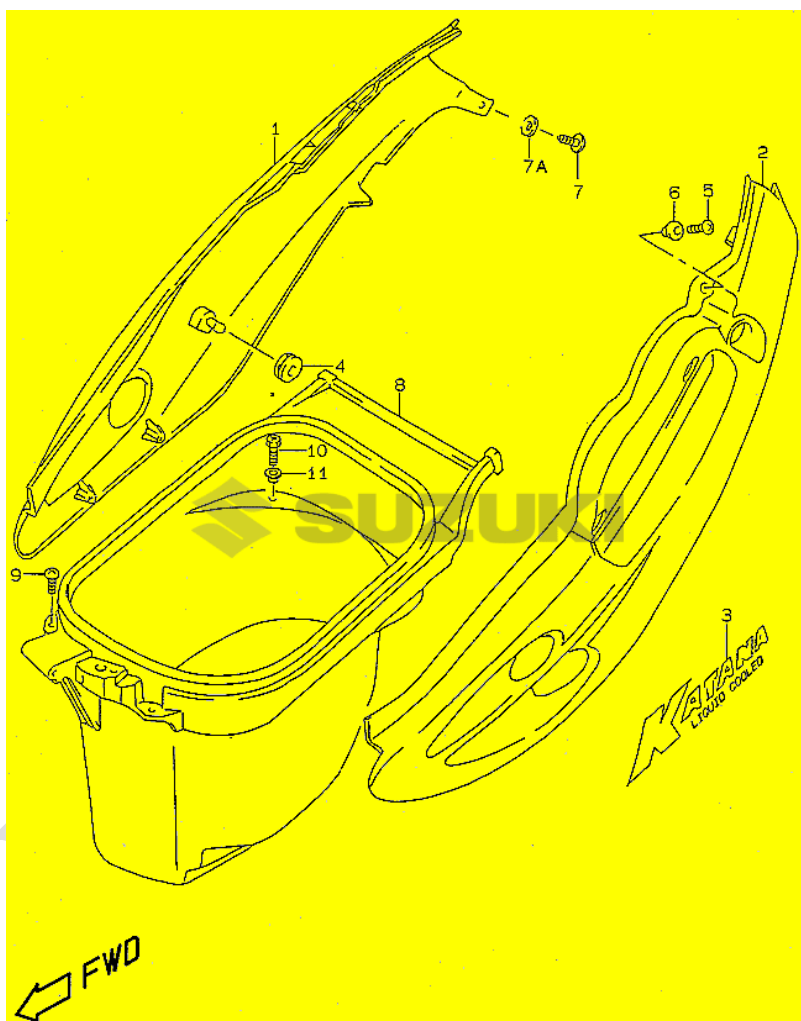
Ind	description1	description2	comment
R1	CARTER LATERAL D.	COVER, FRAME RH (RED)	
R1	CARTER LATERAL D.	COVER, FRAME RH (BLACK)	
R1	CACHE LATERAL D.	COVER, FRAME RH (BLUE)	
R1	CARTER LATERAL D.	COVER, FRAME RH (SILVER)	
R2	CARTER LATERAL G.	COVER, FRAME LH (RED)	
R2	CARTER LATERAL G.	COVER, FRAME LH (BLACK)	
R2	CACHE LATERAL G.	COVER, FRAME LH (BLUE)	
R2	CARTER LATERAL G.	COVER, FRAME LH (SILVER)	
R4	CAOUTCHOUC	CUSHION	
R5	VIS	SCREW, UPPER	
R6	RONDELLE	WASHER	
R7	VIS	SCREW, REAR	
R7A	RONDELLE UF50	WASHER	
R8	BOX, HELMET AY50(WR)	BOX, HELMET	
R8	BAC	BOX, HELMET	P2, P4
R9	VIS	SCREW, FRONT	
R10	SCREW 6X16	BOLT, INNER	
R11	WASHER	WASHER	

Suzuki AY 50 Katana FRAME COVER (MODEL W)



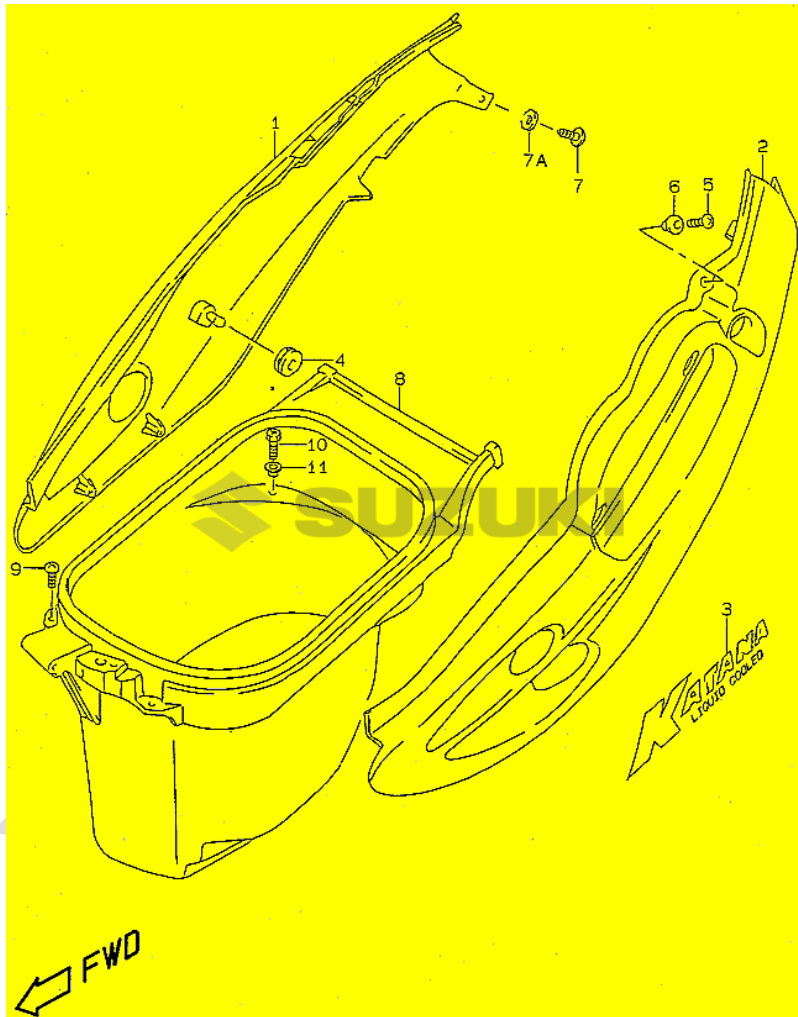
Ind	description1	description2	comment
R1	CARTER LATERAL D.	COVER, FRAME RH (RED)	
R1	CARTER LATERAL D.	COVER, FRAME RH (BLACK)	
R1	COVER,FRAME AY50/W	COVER, FRAME RH (YELLOW)	
R1	CARTER LATERAL D.	COVER, FRAME RH (SILVER)	
R2	CARTER LATERAL G.	COVER, FRAME LH (RED)	
R2	CARTER LATERAL G.	COVER, FRAME LH (BLACK)	
R2	COVER,FRAME AY50/W	COVER, FRAME LH (YELLOW)	
R2	CARTER LATERAL G.	COVER, FRAME LH (SILVER)	
R4	CAOUTCHOUC	CUSHION	
R5	VIS	SCREW, UPPER	
R7	VIS	SCREW, REAR	
R7A	RONDELLE UF50	WASHER	
R8	BOX, HELMET AY50(WR)	BOX, HELMET	
R8	BAC	BOX, HELMET	P2, P4
R9	VIS	SCREW, FRONT	
R10	SCREW 6X16	BOLT, INNER	
R11	WASHER	WASHER	

Suzuki AY 50 Katana FRAME COVER (MODEL X)



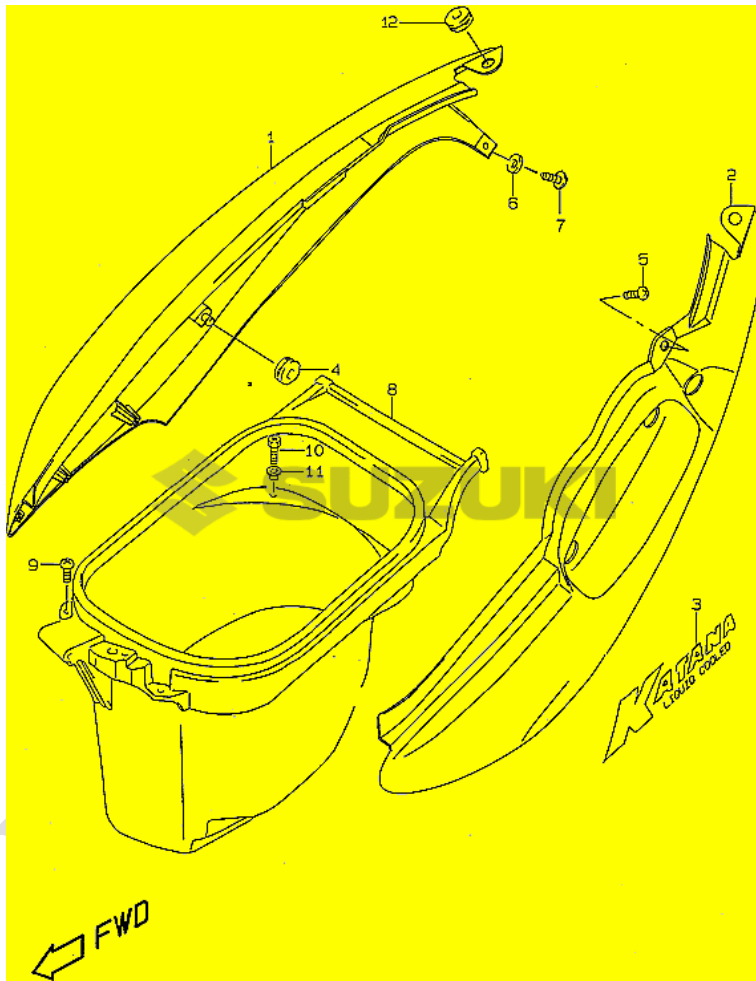
Ind	description1	description2	comment
R1	CARTER LATERAL DROIT ROUGE	COVER, FRAME RH (RED)	
R1	CARTER LATERAL DROIT NOIR	COVER, FRAME RH (BLACK)	
R1	COVER AY50(W)/X	COVER, FRAME RH (BLUE)	
R1	CARTER LATERAL D.	COVER, FRAME RH (SILVER)	
R2	CARTER LATERAL GAUCHE ROUGE	COVER, FRAME LH (RED)	
R2	CARTER LATERAL GAUCHE NOIR	COVER, FRAME LH (BLACK)	
R2	COVER AY50(W)/X	COVER, FRAME LH (BLUE)	
R2	CARTER LATERAL G.	COVER, FRAME LH (SILVER)	
R4	CAOUTCHOUC	CUSHION	
R5	VIS	SCREW, UPPER	
R7	VIS	SCREW, REAR	
R7A	RONDELLE UF50	WASHER	
R8	BOX, HELMET AY50(WR)	BOX, HELMET	
R8	BAC	BOX, HELMET	P2, P4
R9	VIS	SCREW, FRONT	
R10	SCREW 6X16	BOLT, INNER	
R11	WASHER	WASHER	
R11	MANUEL D'ENTRETIEN AY 50 X	OWNER S MANUAL	DRAWING NOT SHOWN
R11	OWNER S MANUAL	OWNER S MANUAL	P53 DRAWING NOT SHOWN

Suzuki AY 50 Katana FRAME COVER (MODEL Y)



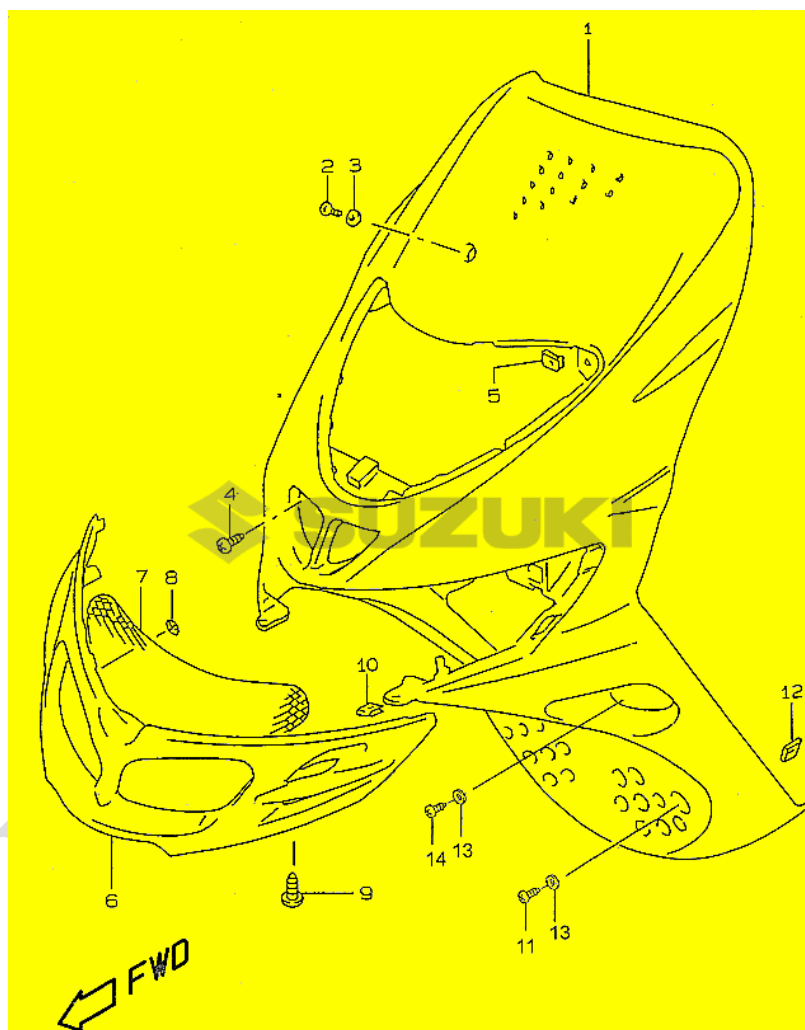
Ind	description1	description2	comment
R1	CARTER LATERAL DROIT ROUGE	COVER, FRAME RH (RED)	
R1	CARTER LATERAL DROIT NOIR	COVER, FRAME RH (BLACK)	
R2	CARTER LATERAL GAUCHE ROUGE	COVER, FRAME LH (RED)	
R2	CARTER LATERAL GAUCHE NOIR	COVER, FRAME LH (BLACK)	
R4	CAOUTCHOUC	CUSHION	
R5	VIS	SCREW, UPPER	
R7	VIS	SCREW, REAR	
R7A	RONDELLE UF50	WASHER	
R8	BOX, HELMET AY50(WR)	BOX, HELMET	
R8	BAC	BOX, HELMET	P2, P4
R9	VIS	SCREW, FRONT	
R10	SCREW 6X16	BOLT, INNER	
R11	WASHER	WASHER	
R11	MANUEL D'ENTRETIEN AY50Y	OWNER S MANUAL	DRAWING NOT SHOWN
R11	OWNER S MANUAL	OWNER S MANUAL	P53 DRAWING NOT SHOWN

Suzuki AY 50 Katana FRAME COVER (MODEL K1)



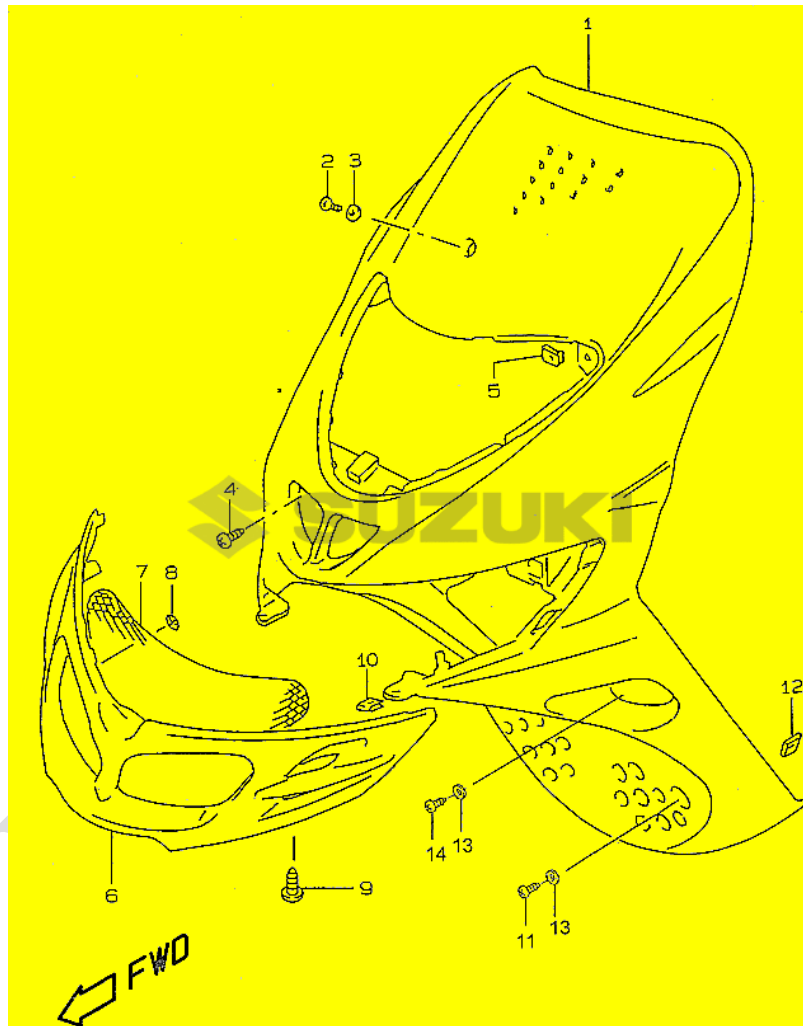
Ind	description1	description2	comment
R1	COVER, FRAME RH (BLUE)	COVER, FRAME RH (BLUE)	
R1	COVER, FRAME RH (SILVER)	COVER, FRAME RH (SILVER)	
R1	COVER, FRAME RH (WHITE)	COVER, FRAME RH (WHITE)	
R2	COVER, FRAME LH (BLUE)	COVER, FRAME LH (BLUE)	
R2	COVER, FRAME LH (SILVER)	COVER, FRAME LH (SILVER)	
R2	COVER, FRAME LH (WHITE)	COVER, FRAME LH (WHITE)	
R4	CUSHION	CUSHION	
R5	SCREW, UPPER	SCREW, UPPER	
R6	WASHER	WASHER	
R7	SCREW, REAR	SCREW, REAR	
R8	BOX, HELMET	BOX, HELMET	
R8	BOX, HELMET	BOX, HELMET	P2, P4
R9	SCREW, FRONT	SCREW, FRONT	
R10	BOLT, INNER	BOLT, INNER	
R11	WASHER	WASHER	
R12	CUSHION	CUSHION	
R12	OWNER S MANUAL	OWNER S MANUAL	DRAWING NOT SHOWN
R12	OWNER S MANUAL	OWNER S MANUAL	P53 DRAWING NOT SHOWN

Suzuki AY 50 Katana FRONT LEG SHIELD (MODEL V/W/X)



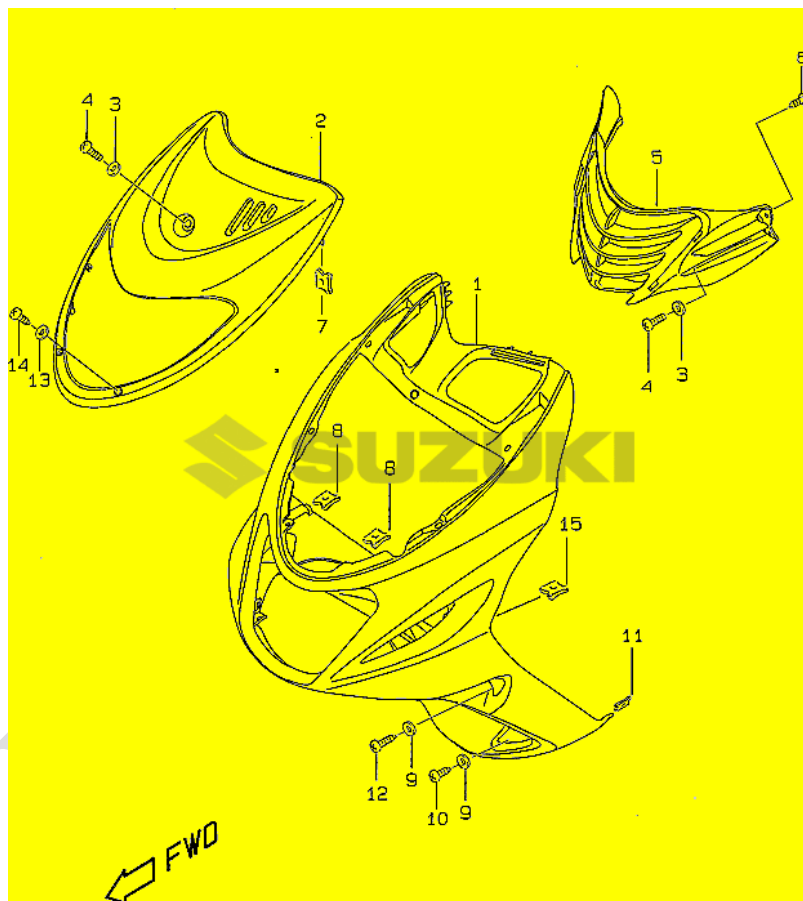
Ind	description1	description2	comment
R1	SHIELD, LEG FRONT (RED)	SHIELD, LEG FRONT (RED)	MODEL V/W
R1	SHIELD, LEG FRONT (BLACK)	SHIELD, LEG FRONT (BLACK)	MODEL V/W
R1	SHIELD, LEG FRONT (BLUE)	SHIELD, LEG FRONT (BLUE)	MODEL V
R1	SHIELD, LEG FRONT (SILVER)	SHIELD, LEG FRONT (SILVER)	
R2	SCREW, FRONT	SCREW, FRONT	
R3	WASHER	WASHER	
R4	SCREW	SCREW	
R5	NUT, HEADLAMP COVER	NUT, HEADLAMP COVER	
R6	GRILL, FRONT	GRILL, FRONT	MODEL AY50W/WR V/W
R9	SCREW, LEG FRONT GRILL	SCREW, LEG FRONT GRILL	
R10	NUT	NUT	
R11	SCREW, UNDER	SCREW, UNDER	
R12	NUT, FRONT & REAR	NUT, FRONT & REAR	
R13	WASHER	WASHER	
R14	SCREW	SCREW	

Suzuki AY 50 Katana FRONT LEG SHIELD (MODEL Y)



Ind	description1	description2	comment
R1	SHIELD, LEG FRONT (RED)	SHIELD, LEG FRONT (RED)	
R1	SHIELD, LEG FRONT (BLACK)	SHIELD, LEG FRONT (BLACK)	
R2	SCREW, FRONT	SCREW, FRONT	
R3	WASHER	WASHER	
R4	SCREW	SCREW	
R5	NUT, HEADLAMP COVER	NUT, HEADLAMP COVER	
R9	SCREW, LEG FRONT GRILL	SCREW, LEG FRONT GRILL	
R10	NUT	NUT	
R11	SCREW, UNDER	SCREW, UNDER	
R12	NUT, FRONT & REAR	NUT, FRONT & REAR	
R13	WASHER	WASHER	
R14	SCREW	SCREW	

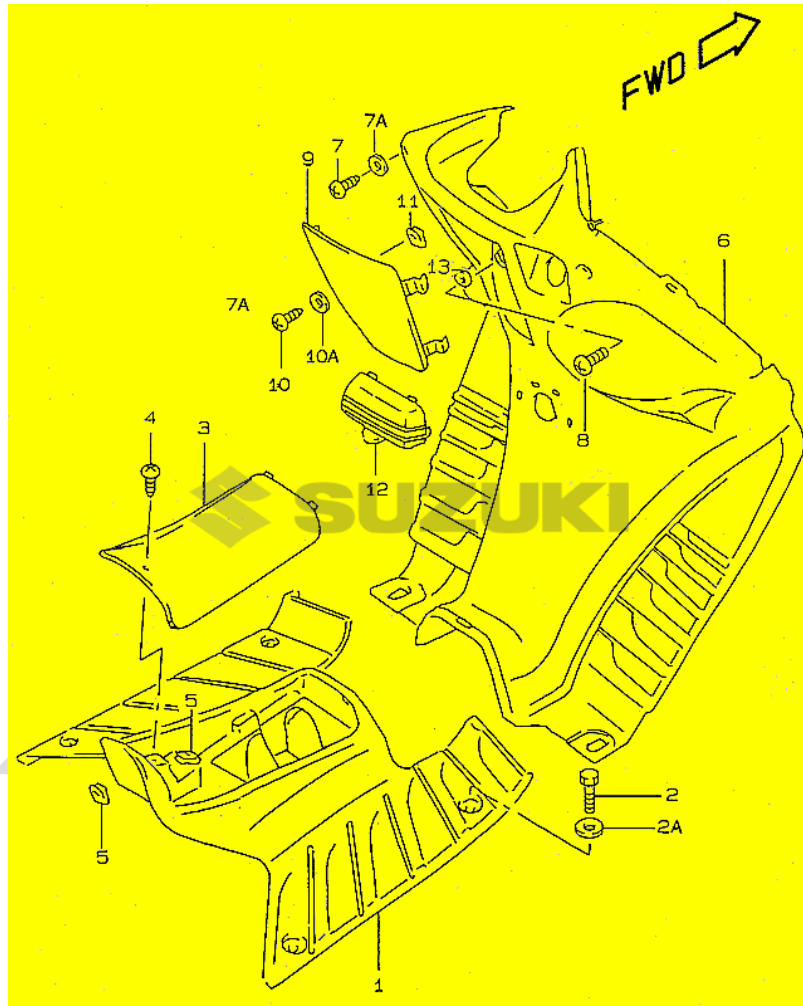
Suzuki AY 50 Katana FRONT LEG SHIELD (MODEL K1)



Ind	description1	description2	comment
R3	WASHER	WASHER	
R4	BOLT	BOLT	
R6	SCREW	SCREW	
R7	NUT	NUT	
R8	NUT	NUT	
R9	WASHER	WASHER	
R10	SCREW, UNDER	SCREW, UNDER	
R11	NUT	NUT	
R12	SCREW	SCREW	
R13	WASHER	WASHER	
R14	SCREW, UNDER	SCREW, UNDER	
R15	NUT	NUT	P2, P22, P26

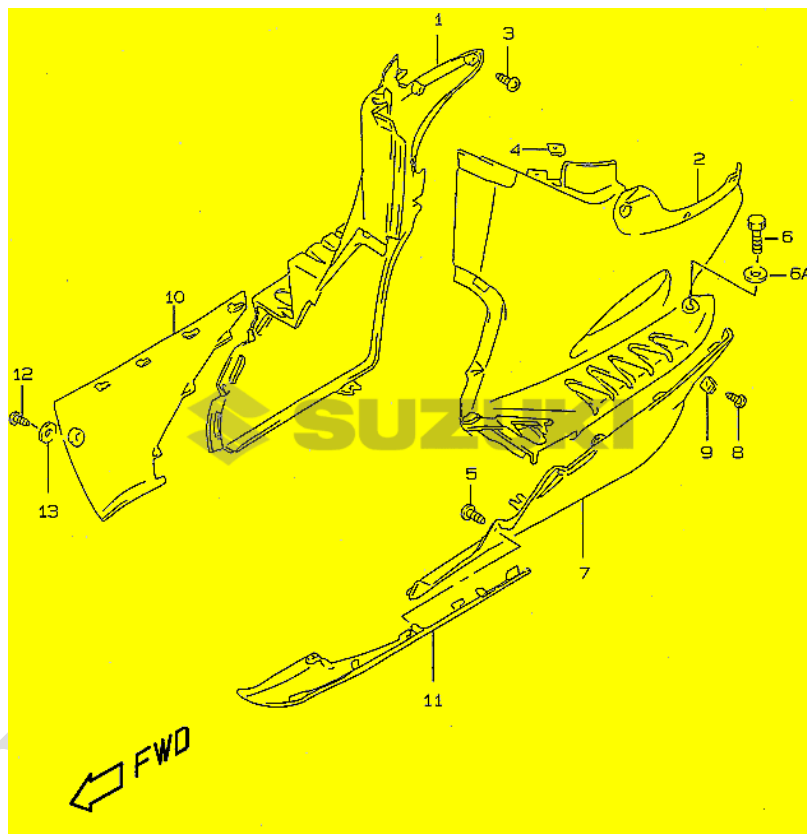


Suzuki AY 50 Katana REAR LEG SHIELD



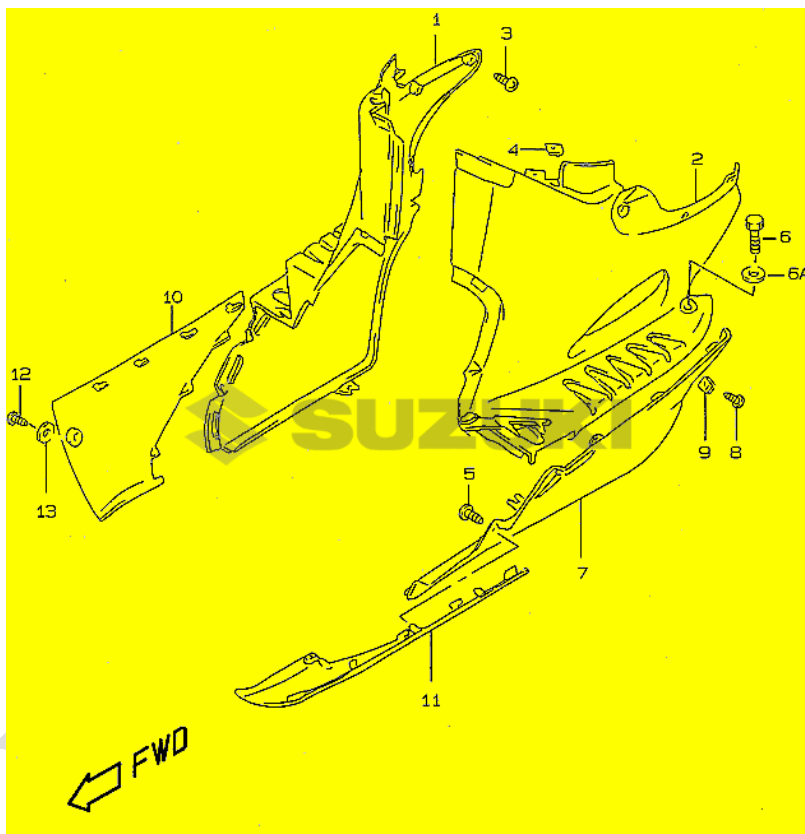
Ind	description1	description2	comment
R1	SHIELD, LEG REAR	SHIELD, LEG REAR	
R2	BOLT	BOLT	
R2A	WASHER	WASHER	
R3	LID, BATTERY HOLDER	LID, BATTERY HOLDER	
R4	SCREW, LID	SCREW, LID	
R5	NUT, LID & SHIELD LEG REAR	NUT, LID & SHIELD LEG REAR	
R6	COVER, LEG SHIELD	COVER, LEG SHIELD	
R7	SCREW, UPPER	SCREW, UPPER	
R7A	WASHER	WASHER	
R8	SCREW, INNER	SCREW, INNER	
R9	LID, MAINTENANCE	LID, MAINTENANCE	-->92122-02E00-NE2
R10	SCREW	SCREW	
R10A	WASHER	WASHER	
R11	NUT	NUT	
R12	COVER, AIR INTAKE	COVER, AIR INTAKE	
R13	WASHER	WASHER	

Suzuki AY 50 Katana SIDE LEG SHIELD (MODEL V/W/X)



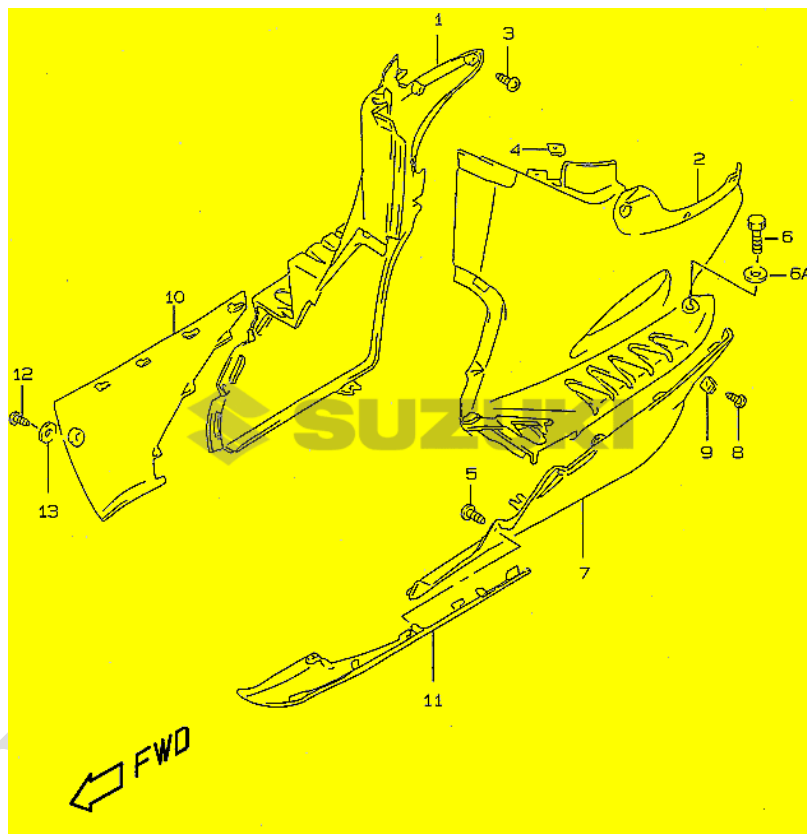
Ind	description1	description2	comment
R1	SHIELD, LEG SIDE RH	SHIELD, LEG SIDE RH	
R2	SHIELD, LEG SIDE LH	SHIELD, LEG SIDE LH	
R3	SCREW, INNER	SCREW, INNER	
R4	NUT, HELMET BOX	NUT, HELMET BOX	
R5	SCREW, INNER LH	SCREW, INNER LH	
R6	BOLT	BOLT	
R6A	WASHER	WASHER	
R7	SHIELD, LEG SIDE LOWER LH	SHIELD, LEG SIDE LOWER LH	
R8	SCREW,LEG SIDE LOWER LH	SCREW,LEG SIDE LOWER LH	
R9	NUT	NUT	
R10	SHIELD, LEG RR SIDE RH (RED)	SHIELD, LEG RR SIDE RH (RED)	MODEL VW
R10	SHIELD, LEG RR SIDE RH (BLACK)	SHIELD, LEG RR SIDE RH (BLACK)	MODEL VW
R10	SHIELD, LEG RR SIDE RH (BLUE)	SHIELD, LEG RR SIDE RH (BLUE)	MODEL V
R10	SHIELD, LEG RR SIDE RH (SILVER)	SHIELD, LEG RR SIDE RH (SILVER)	
R11	SHIELD, LEG RR SIDE LH (RED)	SHIELD, LEG RR SIDE LH (RED)	MODEL VW
R11	SHIELD, LEG RR SIDE LH (BLACK)	SHIELD, LEG RR SIDE LH (BLACK)	MODEL VW
R11	SHIELD, LEG RR SIDE LH (BLUE)	SHIELD, LEG RR SIDE LH (BLUE)	MODEL V
R11	SHIELD, LEG RR SIDE LH (SILVER)	SHIELD, LEG RR SIDE LH (SILVER)	
R12	SCREW, REAR SIDE LEG FRONT	SCREW, REAR SIDE LEG FRONT	
R13	WASHER	WASHER	

Suzuki AY 50 Katana SIDE LEG SHIELD (MODEL Y)



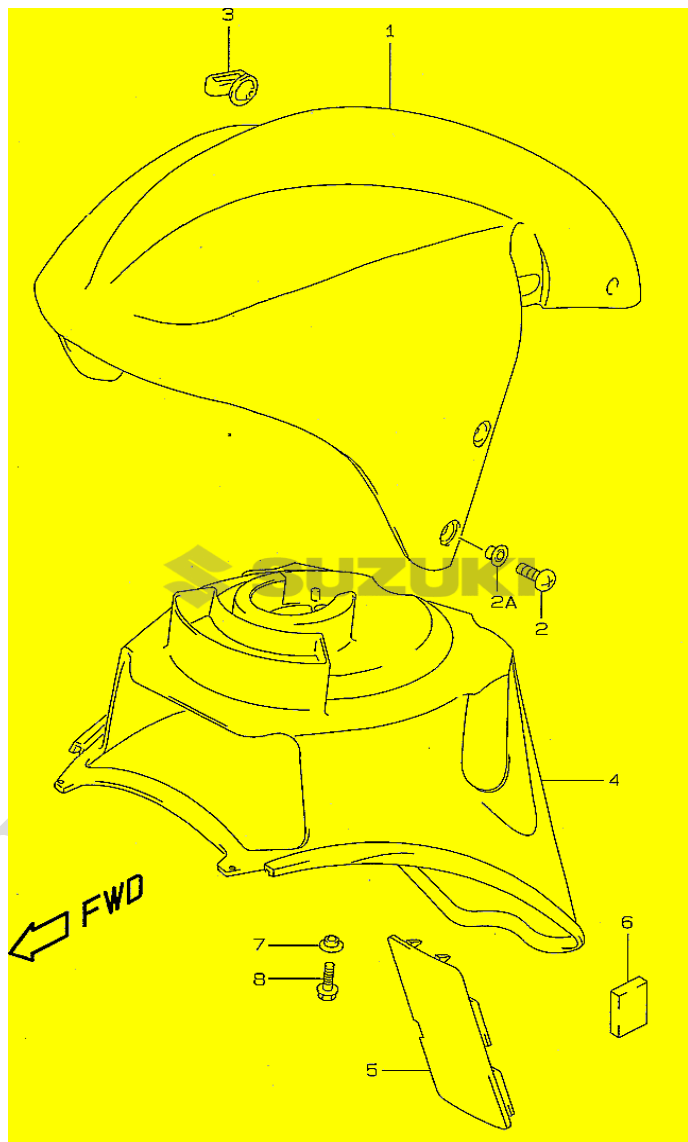
Ind	description1	description2	comment
R1	SHIELD, LEG SIDE RH	SHIELD, LEG SIDE RH	
R2	SHIELD, LEG SIDE LH	SHIELD, LEG SIDE LH	
R3	SCREW, INNER	SCREW, INNER	
R4	NUT, HELMET BOX	NUT, HELMET BOX	
R5	SCREW, INNER LH	SCREW, INNER LH	
R6	BOLT	BOLT	
R6A	WASHER	WASHER	
R7	SHIELD, LEG SIDE LOWER LH	SHIELD, LEG SIDE LOWER LH	
R8	SCREW,LEG SIDE LOWER LH	SCREW,LEG SIDE LOWER LH	
R9	NUT	NUT	
R10	SHIELD, LEG RR SIDE RH (RED)	SHIELD, LEG RR SIDE RH (RED)	
R10	SHIELD, LEG RR SIDE RH (BLACK)	SHIELD, LEG RR SIDE RH (BLACK)	
R11	SHIELD, LEG RR SIDE LH (RED)	SHIELD, LEG RR SIDE LH (RED)	
R11	SHIELD, LEG RR SIDE LH (BLACK)	SHIELD, LEG RR SIDE LH (BLACK)	
R12	SCREW, REAR SIDE LEG FRONT	SCREW, REAR SIDE LEG FRONT	
R13	WASHER	WASHER	

Suzuki AY 50 Katana SIDE LEG SHIELD (MODEL K1)



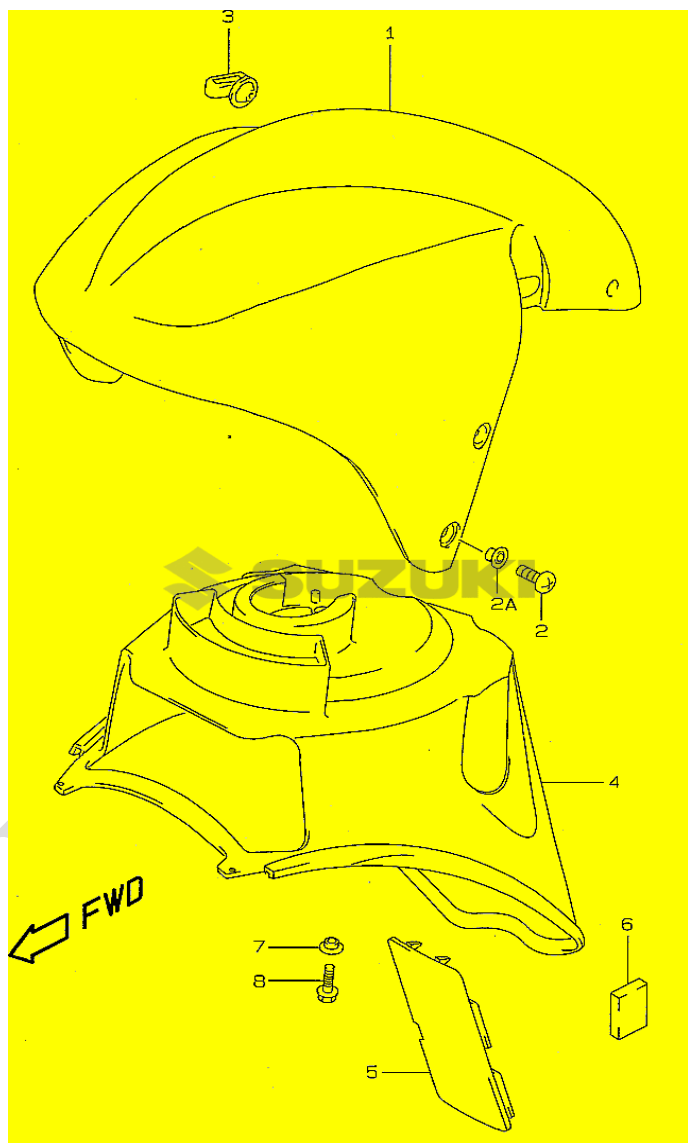
Ind	description1	description2	comment
R1	SHIELD, LEG SIDE RH	SHIELD, LEG SIDE RH	
R2	SHIELD, LEG SIDE LH	SHIELD, LEG SIDE LH	
R3	SCREW, INNER	SCREW, INNER	
R4	NUT, HELMET BOX	NUT, HELMET BOX	
R5	SCREW, INNER LH	SCREW, INNER LH	
R6	BOLT	BOLT	
R6A	WASHER	WASHER	
R7	SHIELD, LEG SIDE LOWER LH	SHIELD, LEG SIDE LOWER LH	
R8	SCREW, LEG SIDE LOWER LH	SCREW, LEG SIDE LOWER LH	
R9	NUT	NUT	
R12	SCREW, REAR SIDE LEG FRONT	SCREW, REAR SIDE LEG FRONT	
R13	WASHER	WASHER	

Suzuki AY 50 Katana FRONT FENDER (MODEL V/W/X)



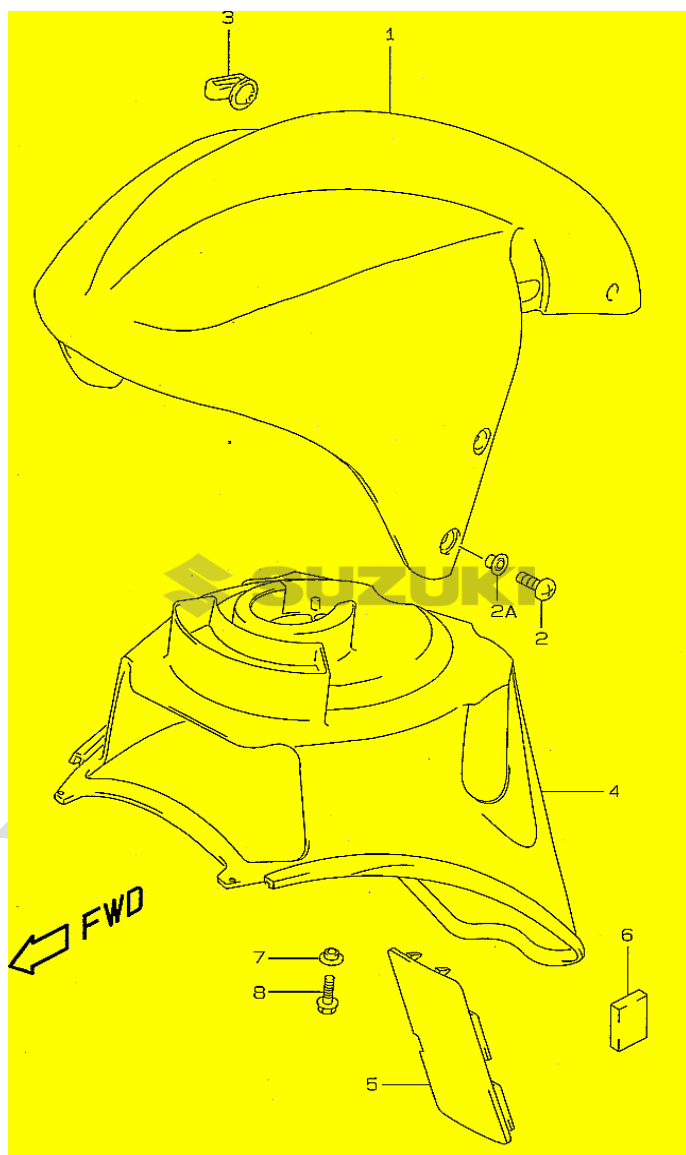
Ind	description1	description2	comment
R1	FENDER, FRONT (RED)	FENDER, FRONT (RED)	MODEL V/W
R1	FENDER, FRONT (BLACK)	FENDER, FRONT (BLACK)	MODEL V/W
R1	FENDER, FRONT (BLUE)	FENDER, FRONT (BLUE)	MODEL V
R1	FENDER, FRONT (SILVER)	FENDER, FRONT (SILVER)	
R2	SCREW	SCREW	
R2A	WASHER	WASHER	
R3	GUIDE, CABLE	GUIDE, CABLE	

Suzuki AY 50 Katana FRONT FENDER (MODEL Y)



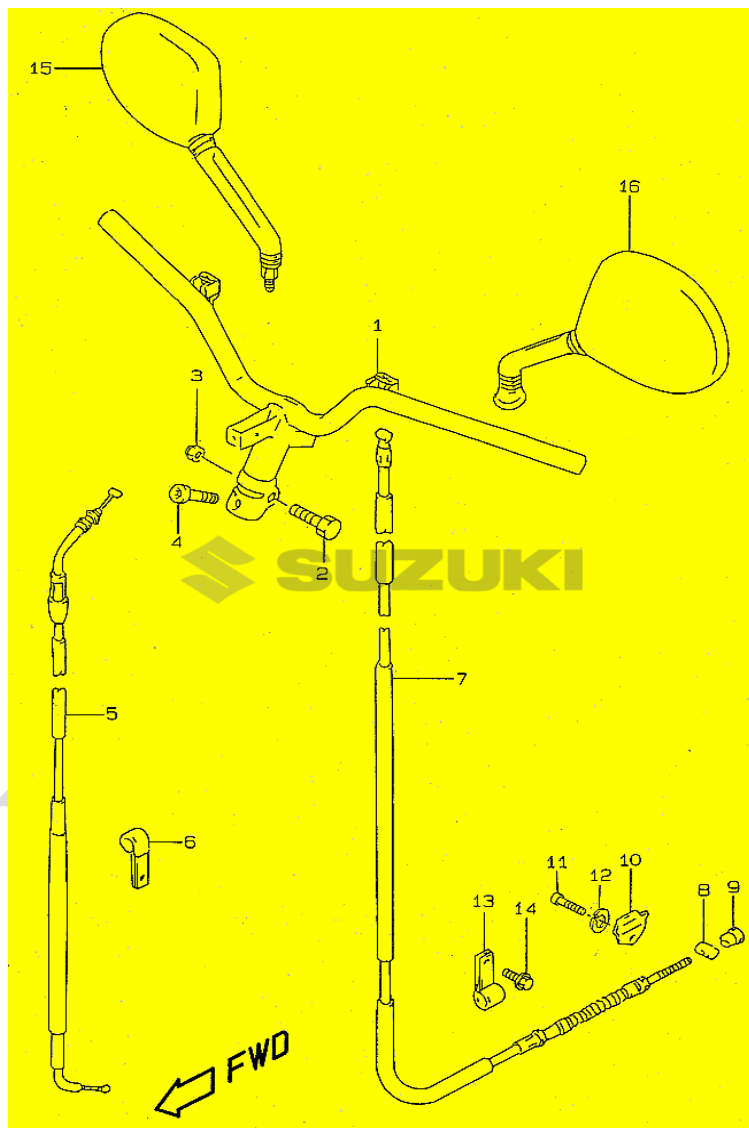
Ind	description1	description2	comment
R1	FENDER, FRONT (RED)	FENDER, FRONT (RED)	
R1	FENDER, FRONT (BLACK)	FENDER, FRONT (BLACK)	
R2	SCREW	SCREW	
R2A	WASHER	WASHER	
R3	GUIDE, CABLE	GUIDE, CABLE	
R4	FENDER, FIXED FRONT	FENDER, FIXED FRONT	MODEL P2, P22, P26
R5	FENDER, ID PLATE	FENDER, ID PLATE	MODEL P2, P22, P26
R6	CUSHION	CUSHION	MODEL P2, P22, P26
R7	WASHER	WASHER	MODEL P2, P22, P26
R8	BOLT	BOLT	MODEL P2, P22, P26

Suzuki AY 50 Katana FRONT FENDER (MODEL K1)



Ind	description1	description2	comment
R2	SCREW	SCREW	
R2A	WASHER	WASHER	
R3	GUIDE, CABLE	GUIDE, CABLE	
R4	FENDER, FIXED FRONT	FENDER, FIXED FRONT	MODEL P2, P22, P26
R5	FENDER, ID PLATE	FENDER, ID PLATE	MODEL P2, P22, P26
R6	CUSHION	CUSHION	MODEL P2, P22, P26
R7	WASHER	WASHER	MODEL P2, P22, P26
R8	BOLT	BOLT	MODEL P2, P22, P26
R9	SCREW	SCREW	MODEL P2, P22, P26

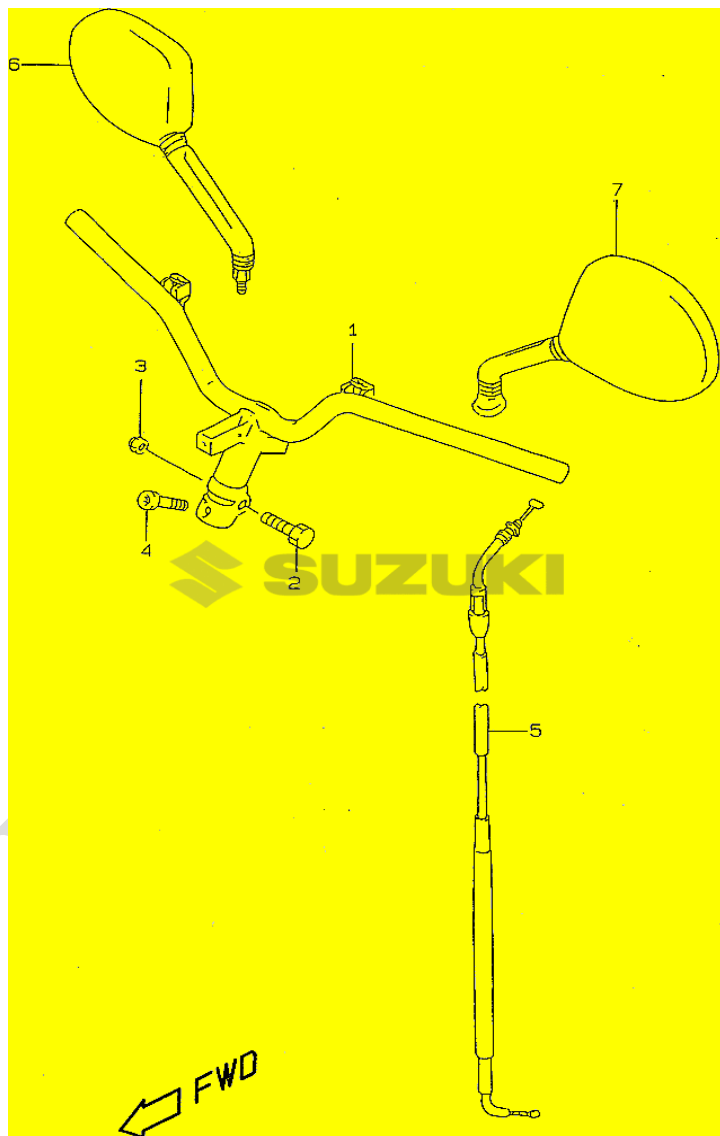
**Suzuki AY 50 Katana HANDLEBAR (MODEL V/W AND MODEL AY50 X/Y/K1)**



Ind	description1	description2	comment
R1	HANDLEBAR	HANDLEBAR	<--56110-35E00-EE3
R2	BOLT	BOLT	
R3	NUT	NUT	
R4	BOLT, HANDLEBAR SET (8X35)	BOLT, HANDLEBAR SET (8X35)	<--56123-29C00-E0Z
R5	CABLE ASSY, THROTTLE	CABLE ASSY, THROTTLE	<--58300-36E00
R6	CLAMP	CLAMP	<--09403-02E00-EE3
R7	CABLE, REAR BRAKE	CABLE, REAR BRAKE	<--58510-02E00
R8	PIN	PIN	
R9	NUT	NUT	
R10	PLATE, REAR BRAKE CABLE	PLATE, REAR BRAKE CABLE	
R11	BOLT	BOLT	
R12	WASHER	WASHER	
R13	CLAMP	CLAMP	<--09403-02E00-EE3
R14	BOLT	BOLT	
R15	MIRROR ASSY, REAR VIEW RH	MIRROR ASSY, REAR VIEW RH	
R16	MIRROR ASSY, REAR VIEW LH	MIRROR ASSY, REAR VIEW LH	

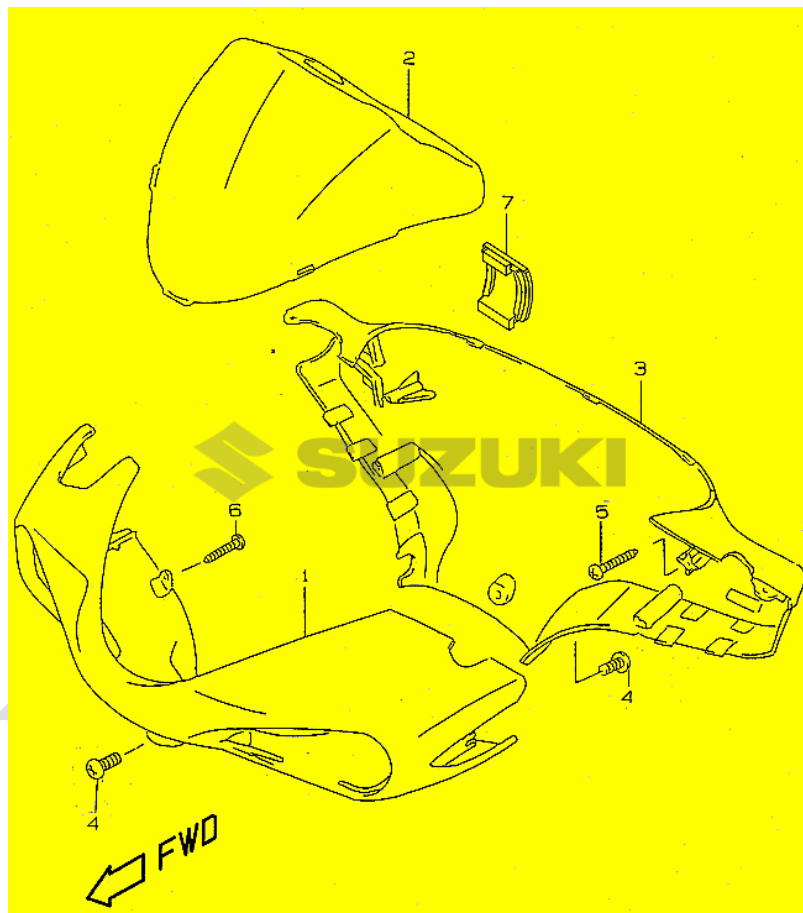


Suzuki AY 50 Katana HANDLEBAR (MODEL AY50W/WR X/Y/K1)



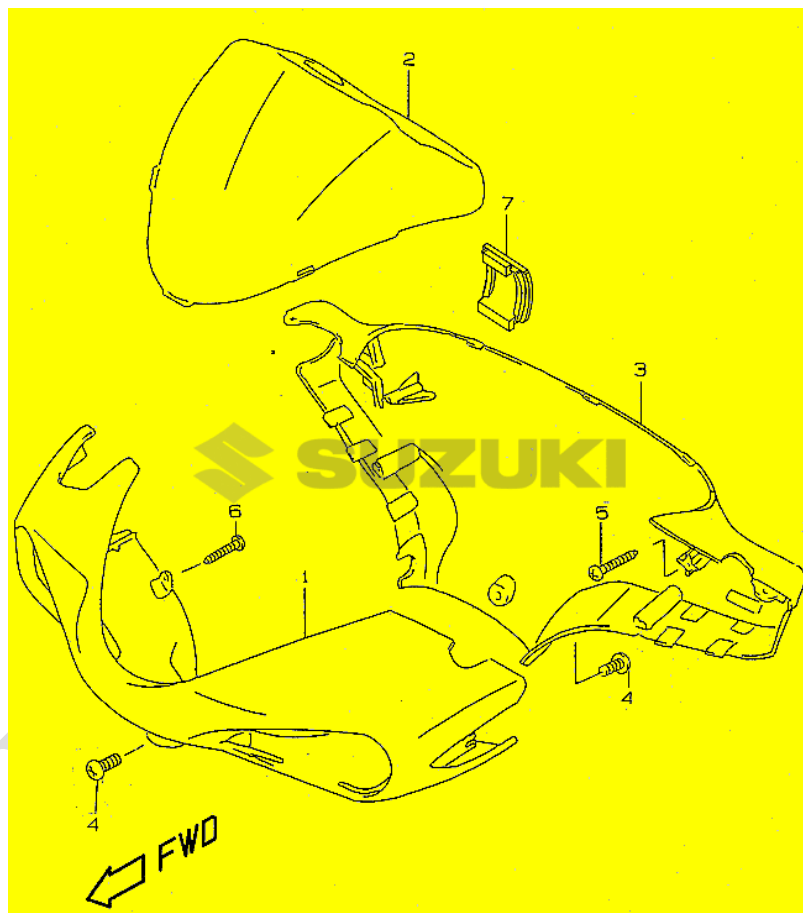
Ind	description1	description2	comment
R1	HANDLEBAR	HANDLEBAR	<-56110-35E00-EE3
R2	BOLT	BOLT	<-56123-29C00-E0Z
R3	NUT	NUT	
R4	BOLT, HANDLEBAR SET (8X35)	BOLT, HANDLEBAR SET (8X35)	
R5	CABLE ASSY, THROTTLE	CABLE ASSY, THROTTLE	
R6	MIRROR ASSY, REAR VIEW RH	MIRROR ASSY, REAR VIEW RH	
R7	MIRROR ASSY, REAR VIEW LH	MIRROR ASSY, REAR VIEW LH	

**Suzuki AY 50 Katana HANDLE COVER  
(MODEL V/W AND MODEL AY50 X)**



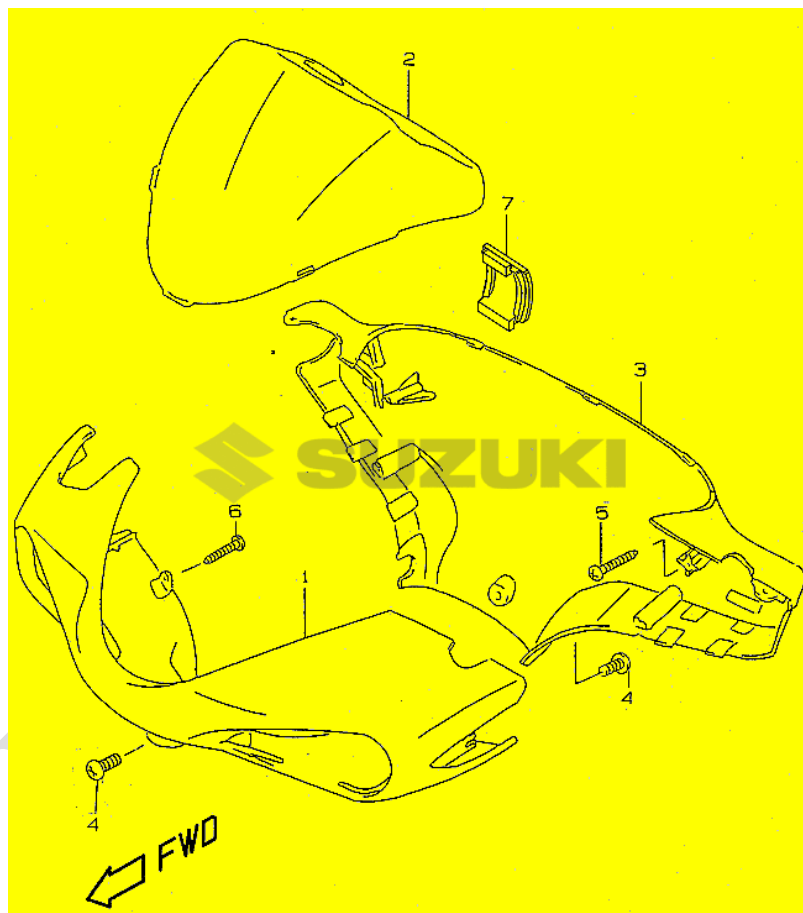
Id	description1	description2	comment
R1	COVER, HANDLE FRONT (RED)	COVER, HANDLE FRONT (RED)	MODEL V/W
R1	COVER, HANDLE FRONT (BLACK)	COVER, HANDLE FRONT (BLACK)	MODEL V/W
R1	COVER, HANDLE FRONT (BLUE)	COVER, HANDLE FRONT (BLUE)	MODEL V
R1	COVER, HANDLE FRONT (SILVER)	COVER, HANDLE FRONT (SILVER)	
R2	COVER, CENTER	COVER, CENTER	->56331-02E00-28C
R3	COVER, HANDLE REAR	COVER, HANDLE REAR	-->56321-35E60-NE2
R4	SCREW	SCREW	
R5	SCREW, UPPER & BAR	SCREW, UPPER & BAR	
R6	SCREW, SIDE	SCREW, SIDE	
R7	COVER	COVER	FOR PART NO. 56321-35E00-NE2

Suzuki AY 50 Katana HANDLE COVER (MODEL AY50W/WR X)



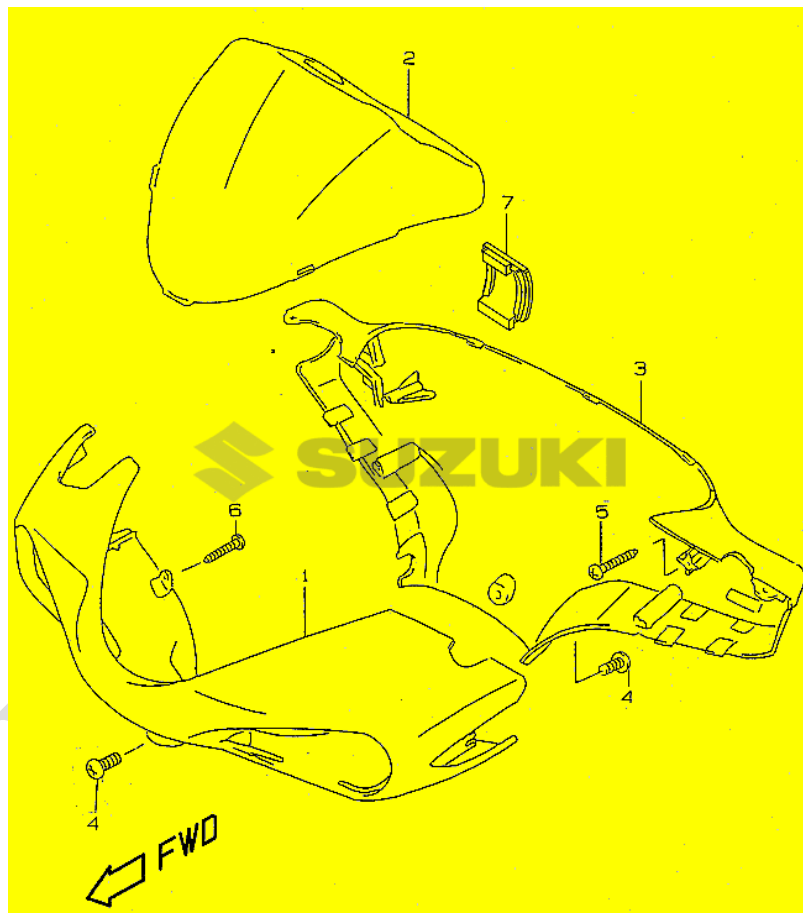
In d	description1	description2	comment
R1	COVER, HANDLE FRONT (RED)	COVER, HANDLE FRONT (RED)	
R1	COVER, HANDLE FRONT (SILVER)	COVER, HANDLE FRONT (SILVER)	
R1	COVER, HANDLE FRONT (BLACK)	COVER, HANDLE FRONT (BLACK)	
R1	COVER, HANDLE FRONT (BLUE)	COVER, HANDLE FRONT (BLUE)	
R2	COVER, CENTER	COVER, CENTER	
R3	COVER, HANDLE REAR	COVER, HANDLE REAR	-->56321-35E50-NE2
R4	SCREW	SCREW	
R5	SCREW, UPPER & BAR	SCREW, UPPER & BAR	
R6	SCREW, SIDE	SCREW, SIDE	
R7	COVER	COVER	FOR PART NO. 56321-35E10-NE2

Suzuki AY 50 Katana HANDLE COVER (MODEL AY50 Y)



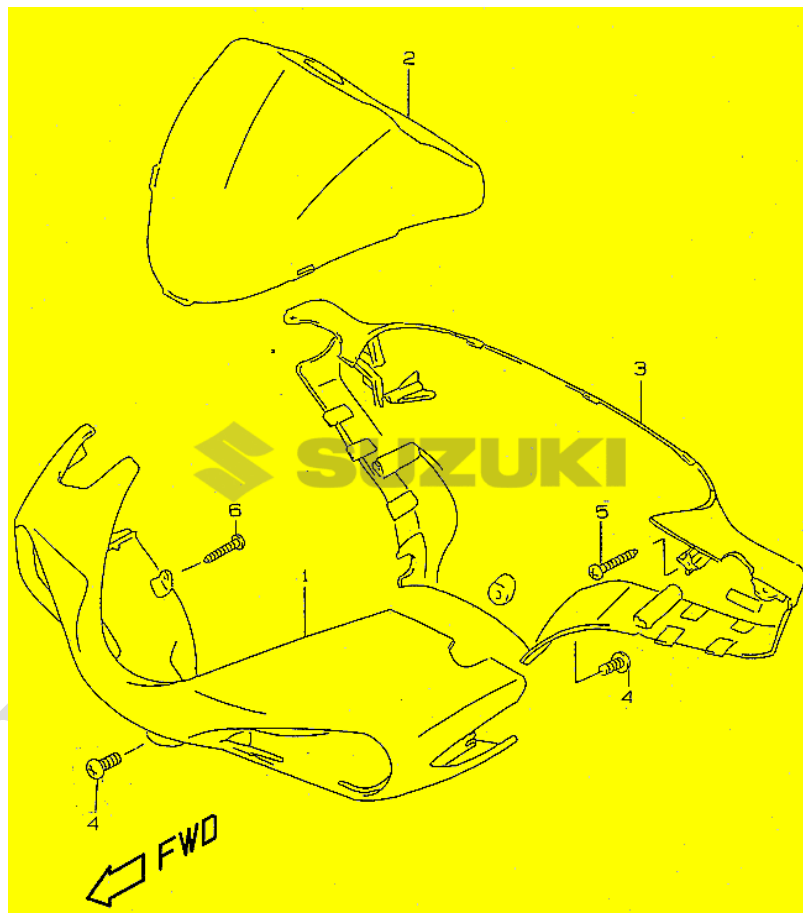
Ind	description1	description2	comment
R1	COVER, HANDLE FRONT (RED)	COVER, HANDLE FRONT (RED)	
R1	COVER, HANDLE FRONT (BLACK)	COVER, HANDLE FRONT (BLACK)	
R1	COVER, HANDLE FRONT (BLUE)	COVER, HANDLE FRONT (BLUE)	
R2	COVER, CENTER	COVER, CENTER	-->56331-02E00-28C
R3	COVER, HANDLE REAR	COVER, HANDLE REAR	-->56321-35E60-NE2
R4	SCREW	SCREW	
R5	SCREW, UPPER & BAR	SCREW, UPPER & BAR	
R6	SCREW, SIDE	SCREW, SIDE	
R7	COVER	COVER	FOR PART NO. 56321-35E00-NE2

Suzuki AY 50 Katana HANDLE COVER (MODEL AY50W/WR Y)



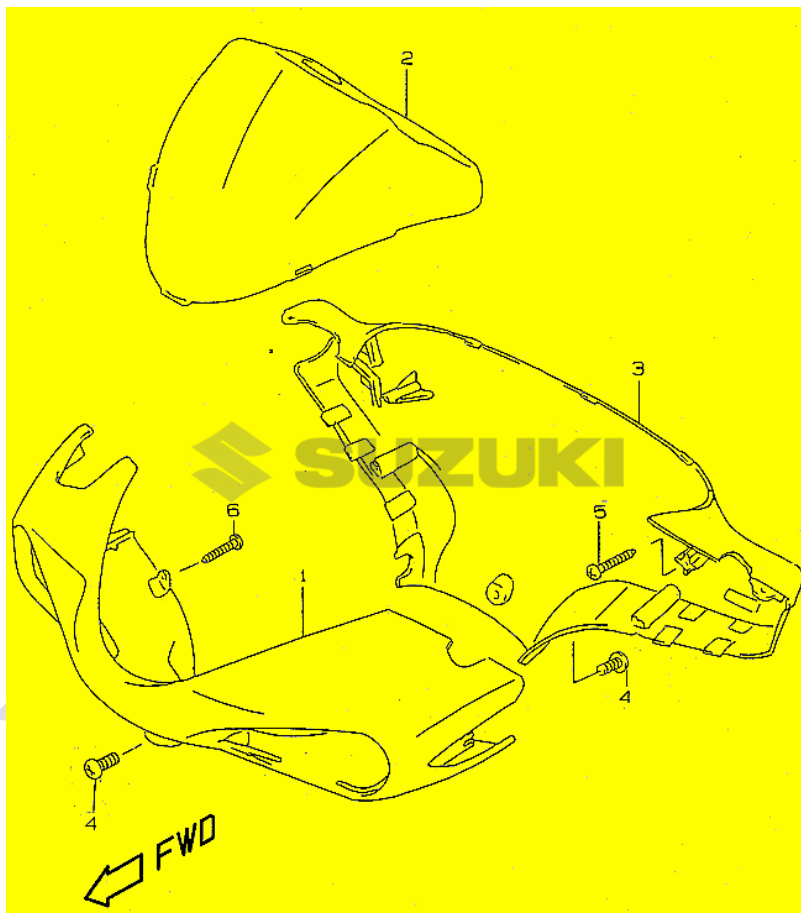
Ind	description1	description2	comment
R1	COVER, HANDLE FRONT (RED)	COVER, HANDLE FRONT (RED)	
R1	COVER, HANDLE FRONT (BLACK)	COVER, HANDLE FRONT (BLACK)	
R2	COVER, CENTER	COVER, CENTER	
R3	COVER, HANDLE REAR	COVER, HANDLE REAR	-->56321-35E50-NE2
R4	SCREW	SCREW	
R5	SCREW, UPPER & BAR	SCREW, UPPER & BAR	
R6	SCREW, SIDE	SCREW, SIDE	
R7	COVER	COVER	FOR PART NO. 56321-35E10-NE2

Suzuki AY 50 Katana HANDLE COVER (MODEL AY50 K1)



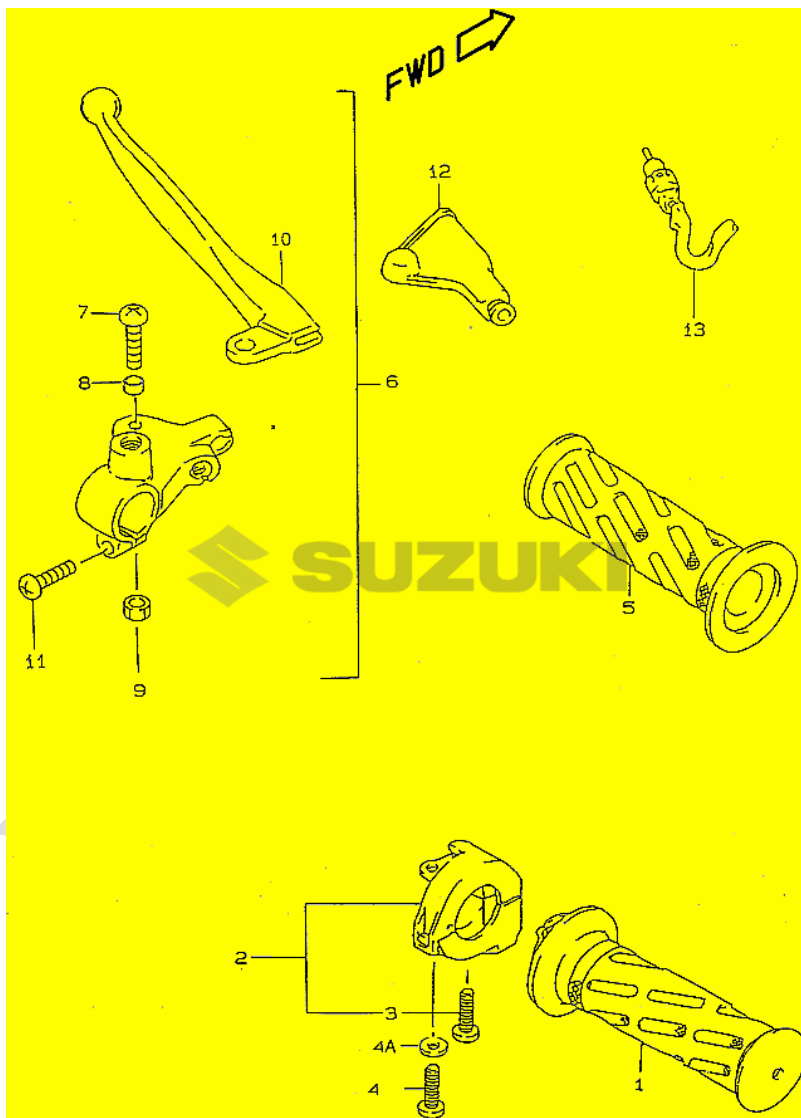
Ind	description1	description2	comment
R1	COVER, HANDLE FRONT (SILVER)	COVER, HANDLE FRONT (SILVER)	
R2	COVER, CENTER (BLACK)	COVER, CENTER (BLACK)	
R3	COVER, HANDLE REAR	COVER, HANDLE REAR	
R4	SCREW	SCREW	
R5	SCREW, UPPER & BAR	SCREW, UPPER & BAR	
R6	SCREW, SIDE	SCREW, SIDE	

Suzuki AY 50 Katana HANDLE COVER (MODEL AY50WR K1)



Ind	description1	description2	comment
R3	COVER, HANDLE REAR	COVER, HANDLE REAR	
R4	SCREW	SCREW	
R5	SCREW, UPPER & BAR	SCREW, UPPER & BAR	
R6	SCREW, SIDE	SCREW, SIDE	

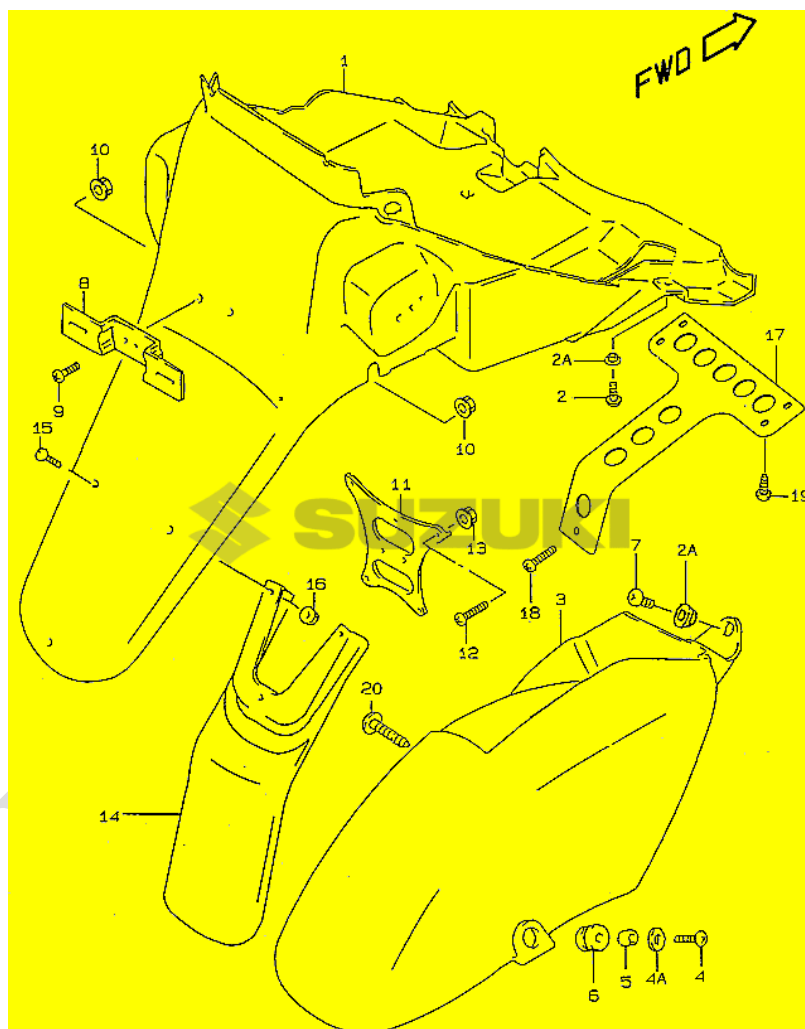
Suzuki AY 50 Katana HANDLE GRIP



Ind	description1	description2	comment
R1	GRIP, THROTTLE	GRIP, THROTTLE	<--57110-09E00
R2	CASE ASSY, THROTTLE	CASE ASSY, THROTTLE	
R3	SCREW	.SCREW	
R4	SCREW	SCREW	
R4A	WASHER	WASHER	
R5	GRIP, LH	GRIP, LH	
R6	LEVER ASSY, REAR BRAKE	LEVER ASSY, REAR BRAKE	MODEL V/W
R7	SCREW	.SCREW	
R8	SPACER	.SPACER	<--57435-12900
R9	NUT	.NUT	
R10	LEVER	.LEVER	
R11	SCREW	.SCREW	
R12	COVER, LH	COVER, LH	MODEL V/W
R13	SWITCH ASSY	SWITCH ASSY	MODEL V/W

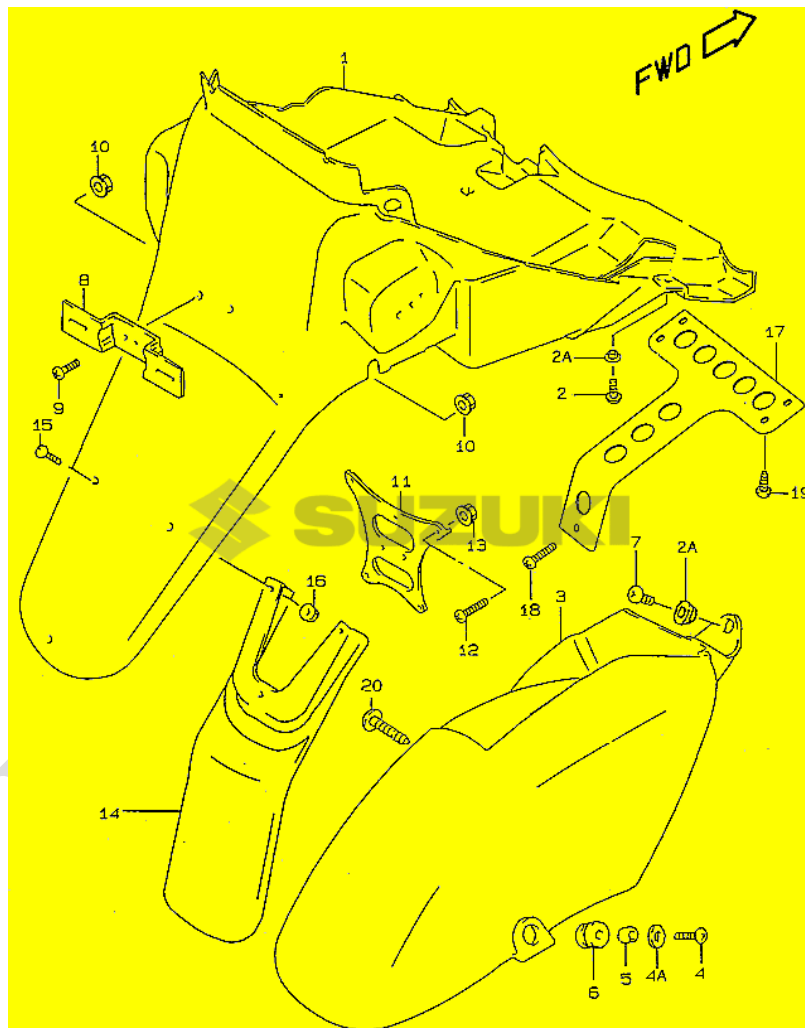


Suzuki AY 50 Katana REAR FENDER (MODEL V/W/X)



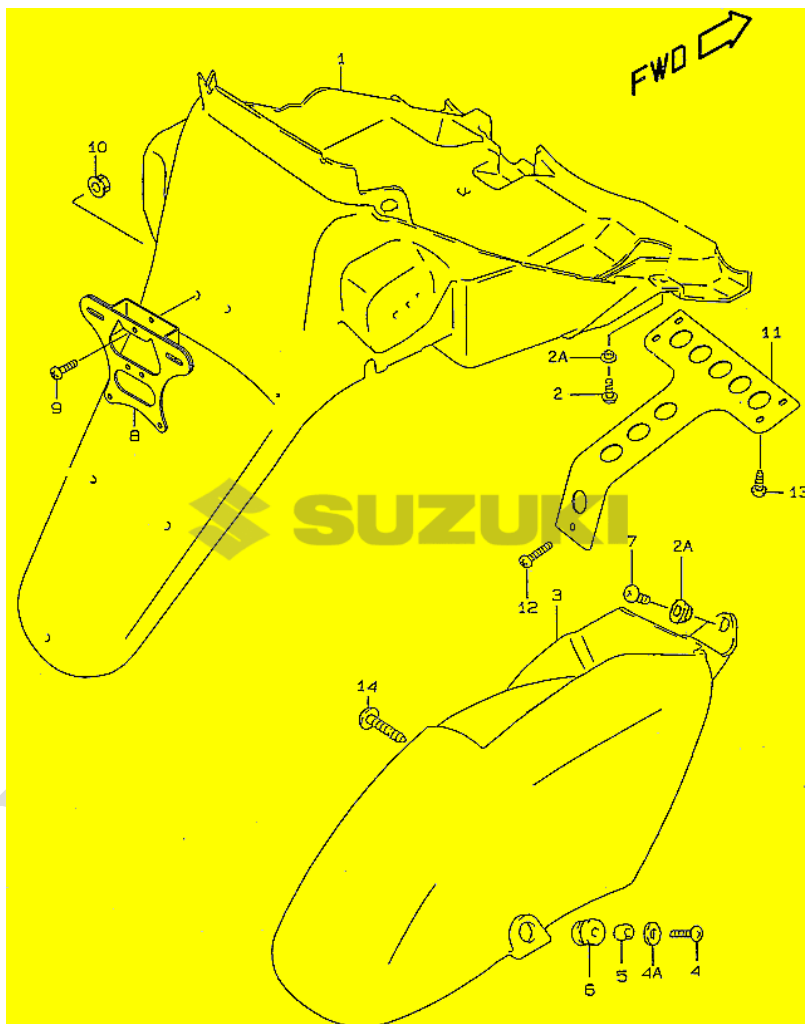
Ind	description1	description2	comment
R1	FENDER, REAR UPPER	FENDER, REAR UPPER	P2, P29, P37, P41, P53
R1	FENDER, REAR UPPER	FENDER, REAR UPPER	P22, P39
R1	FENDER, REAR UPPER	FENDER, REAR UPPER	P2, P34
R1	FENDER, REAR UPPER	FENDER, REAR UPPER	P26
R2	BOLT	BOLT	
R2A	WASHER	WASHER	
R3	FENDER, REAR LOWER	FENDER, REAR LOWER	
R4	SCREW, RH	SCREW, RH	
R4A	WASHER	WASHER	
R5	SPACER	SPACER	
R6	CUSHION	CUSHION	
R7	BOLT	BOLT	
R8	BRACKET, LICENSE PLATE	BRACKET, LICENSE PLATE	P2, P22, P34, P39
R9	SCREW	SCREW	P2, P22, P34, P39
R10	NUT	NUT	P2, P22, P34, P39
R11	HOLDER, LICENSE	HOLDER, LICENSE	P22, P34, P39
R12	SCREW	SCREW	P22, P34, P39
R13	NUT	NUT	P22, P34, P39
R14	EXTENSION, REAR FENDER	EXTENSION, REAR FENDER	MODEL V/W P39
R15	SCREW	SCREW	P22, P26, P39
R16	NUT	NUT	P22, P26, P39
R17	BRACKET COMP, REAR FENDER	BRACKET COMP, REAR FENDER	
R18	SCREW	SCREW	
R19	SCREW	SCREW	
R20	SCREW	SCREW	

Suzuki AY 50 Katana REAR FENDER (MODEL Y)



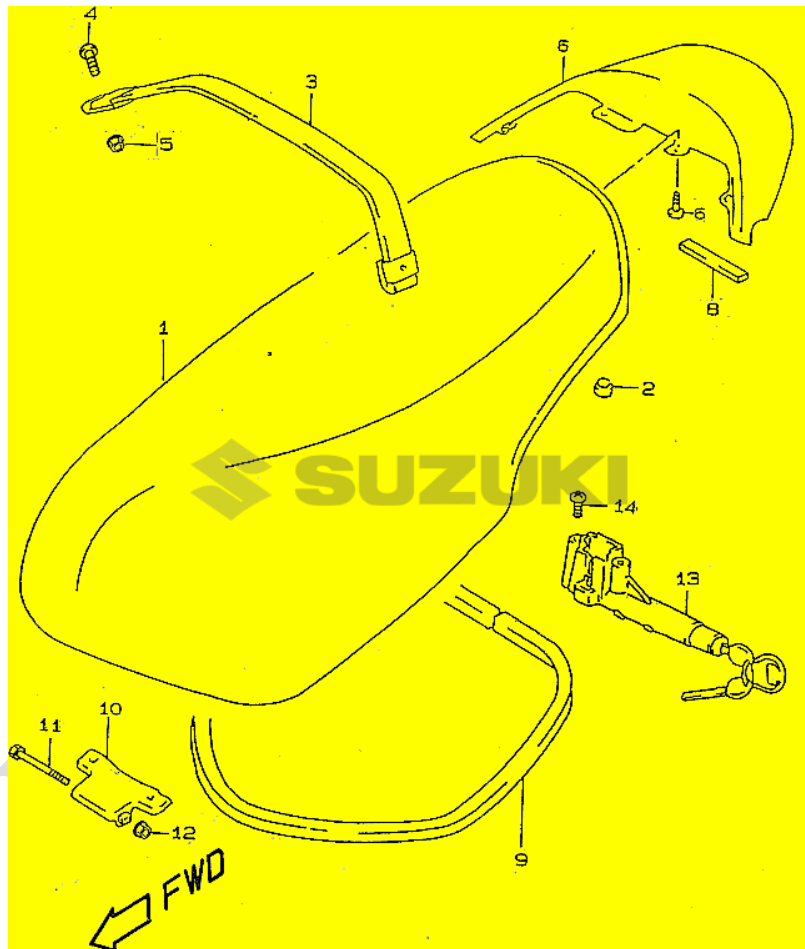
Ind	description1	description2	comment
R1	FENDER, REAR UPPER	FENDER, REAR UPPER	
R2	BOLT	BOLT	
R2A	WASHER	WASHER	
R3	FENDER, REAR LOWER	FENDER, REAR LOWER	
R4	SCREW, RH	SCREW, RH	
R4A	WASHER	WASHER	
R5	SPACER	SPACER	
R6	CUSHION	CUSHION	
R7	BOLT	BOLT	
R8	BRACKET, LICENSE PLATE	BRACKET, LICENSE PLATE	
R9	SCREW	SCREW	
R10	NUT	NUT	
R11	HOLDER, LICENSE	HOLDER, LICENSE	
R12	SCREW	SCREW	
R13	NUT	NUT	
R14	BRACKET COMP, REAR FENDER	BRACKET COMP, REAR FENDER	
R15	SCREW	SCREW	
R16	SCREW	SCREW	
R17	SCREW	SCREW	

Suzuki AY 50 Katana REAR FENDER (MODEL K1)



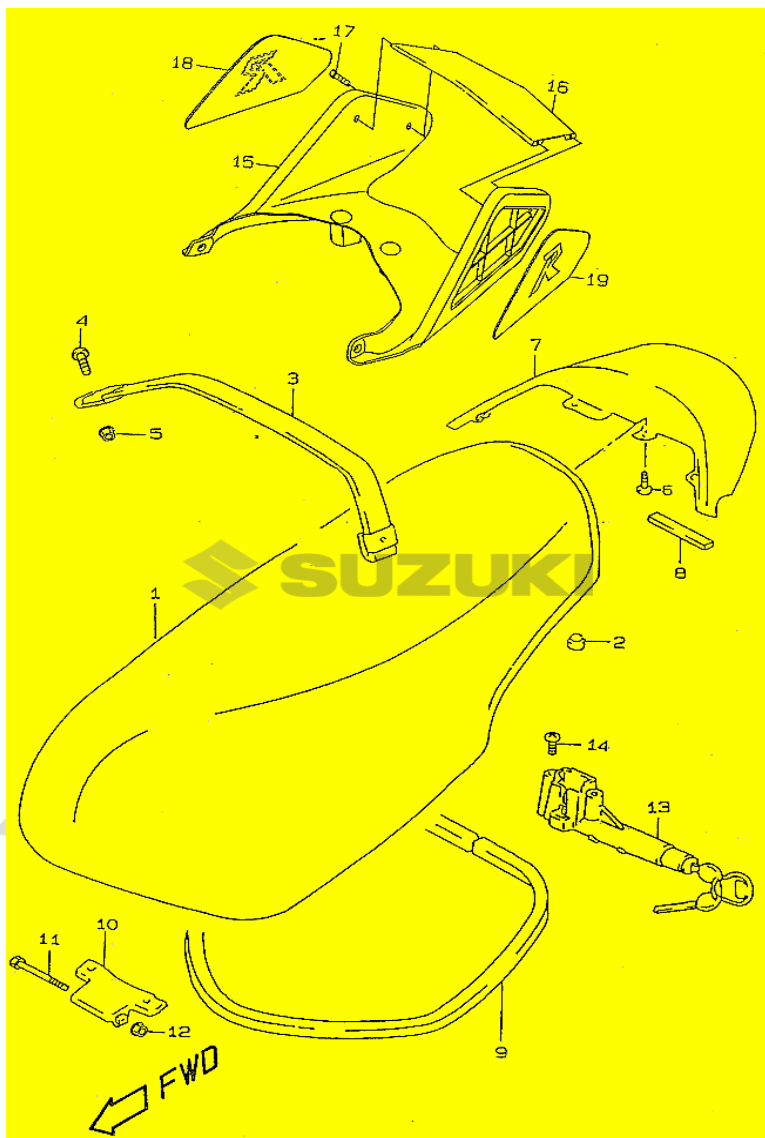
Ind	description1	description2	comment
R1	FENDER, REAR UPPER	FENDER, REAR UPPER	
R2	BOLT	BOLT	
R2A	WASHER	WASHER	
R3	FENDER, REAR LOWER	FENDER, REAR LOWER	
R3	FENDER, REAR LOWER	FENDER, REAR LOWER	P22
R4	SCREW, RH	SCREW, RH	EXCEPT P22
R4A	WASHER	WASHER	EXCEPT P22
R5	SPACER	SPACER	EXCEPT P22
R6	CUSHION	CUSHION	EXCEPT P22
R7	BOLT	BOLT	
R8	BRACKET, LICENSE PLATE	BRACKET, LICENSE PLATE	
R9	SCREW	SCREW	
R10	NUT	NUT	
R11	BRACKET COMP, REAR FENDER	BRACKET COMP, REAR FENDER	
R12	SCREW	SCREW	
R13	SCREW	SCREW	
R14	SCREW	SCREW	

Suzuki AY 50 Katana SEAT (MODEL V)



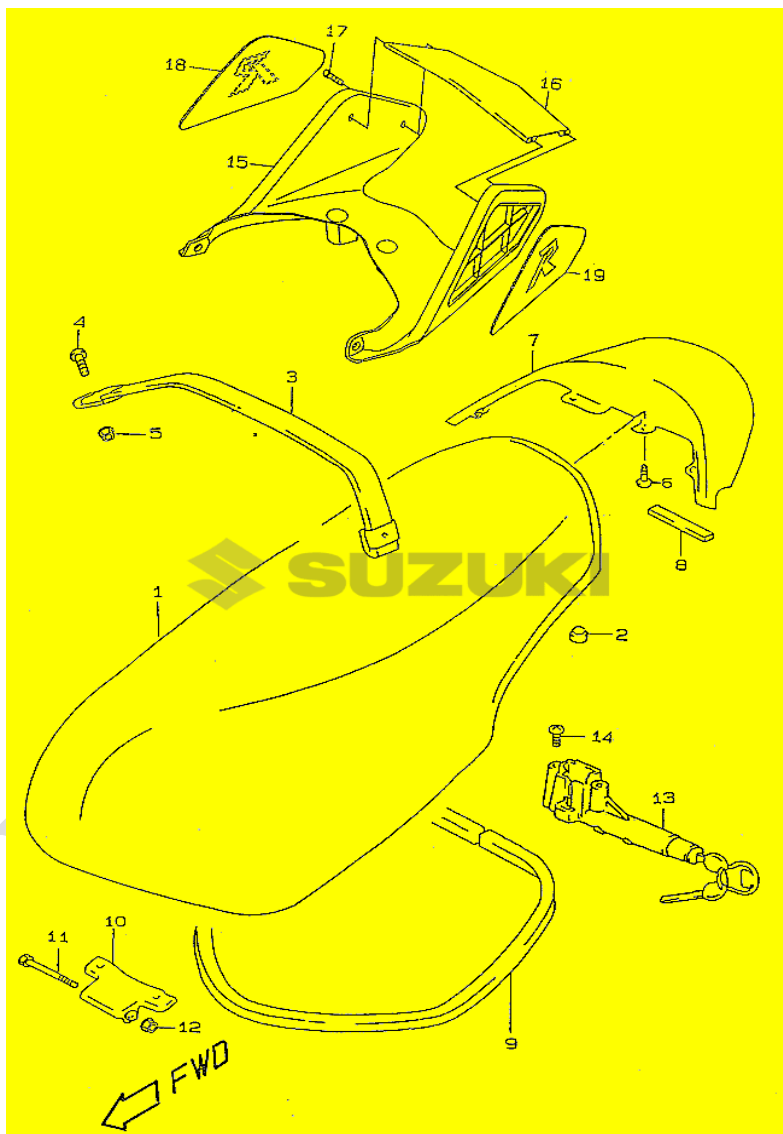
Ind	description1	description2	comment
R1	SEAT SET	SEAT SET	<--45190-02E00-NE2
R1	SEAT SET	SEAT SET	<--45190-02E10-NE2
R2	CUSHION	.CUSHION	
R3	BAND, SEAT	.BAND, SEAT	P2, P4, P22, P29, P39, P41
R4	SCREW	.SCREW	P2, P4, P22, P29, P39, P41
R5	NUT	.NUT	P2, P4, P22, P29, P39, P41
R6	SCREW	SCREW	
R7	COVER, SEAT TAIL	COVER, SEAT TAIL	AY50
R8	CUSHION, COVER	CUSHION, COVER	
R9	MOLDING, SEAT	MOLDING, SEAT	
R10	BRACKET, FRONT HINGE	BRACKET, FRONT HINGE	
R11	BOLT,FRONT	BOLT,FRONT	
R12	NUT	NUT	
R13	LOCK ASSY, SEAT	LOCK ASSY, SEAT	(ZADI)
R14	SCREW	SCREW	
R14	CARRIER SET	CARRIER SET	OPT NOT SHOWN
R14	TOP CASE	TOP CASE	OPT NOT SHOWN

Suzuki AY 50 Katana SEAT (MODEL W/X)



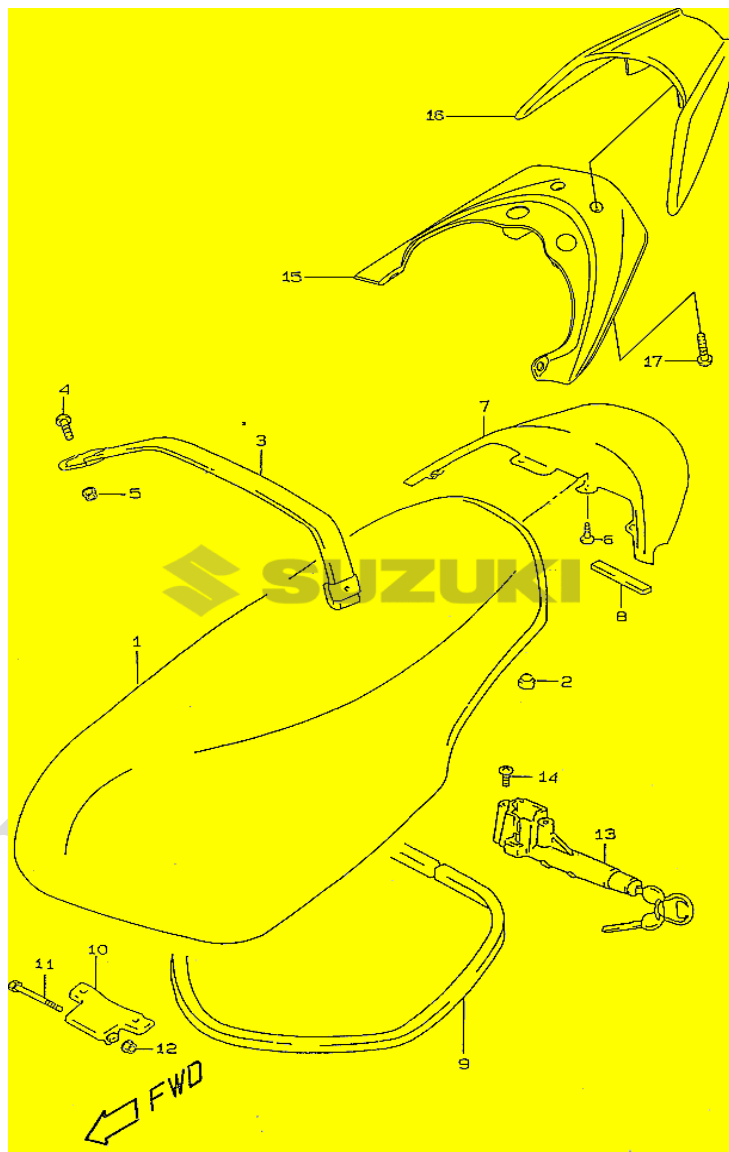
Ind	description1	description2	comment
R1	SEAT SET	SEAT SET	<--45190-02E00-NE2
R1	SEAT SET	SEAT SET	<--45190-02E10-NE2
R1	SEAT SET	SEAT SET	<--45190-02E20-K4C
R1	SEAT SET	SEAT SET	<--45190-02E20-K4C
R1	SEAT SET	SEAT SET	<--45190-02E30-K4C
R1	SEAT SET	SEAT SET	<--45190-02E30-K4C
R2	CUSHION	.CUSHION	
R3	BAND, SEAT	.BAND, SEAT	P2, P4, P22, P29, P39, P41, P53
R4	SCREW	.SCREW	P2, P4, P22, P29, P39, P41, P53
R5	NUT	.NUT	P2, P4, P22, P29, P39, P41, P53
R6	SCREW	SCREW	
R7	COVER, SEAT TAIL	COVER, SEAT TAIL	AY50
R8	CUSHION, COVER	CUSHION, COVER	
R9	MOLDING, SEAT	MOLDING, SEAT	
R10	BRACKET, FRONT HINGE	BRACKET, FRONT HINGE	
R11	BOLT,FRONT	BOLT,FRONT	
R12	NUT	NUT	
R13	LOCK ASSY, SEAT	LOCK ASSY, SEAT	(ZADI)
R14	SCREW	SCREW	
R19	CARRIER SET	CARRIER SET	OPT NOT SHOWN
R19	TOP CASE	TOP CASE	OPT NOT SHOWN

Suzuki AY 50 Katana SEAT (MODEL Y)



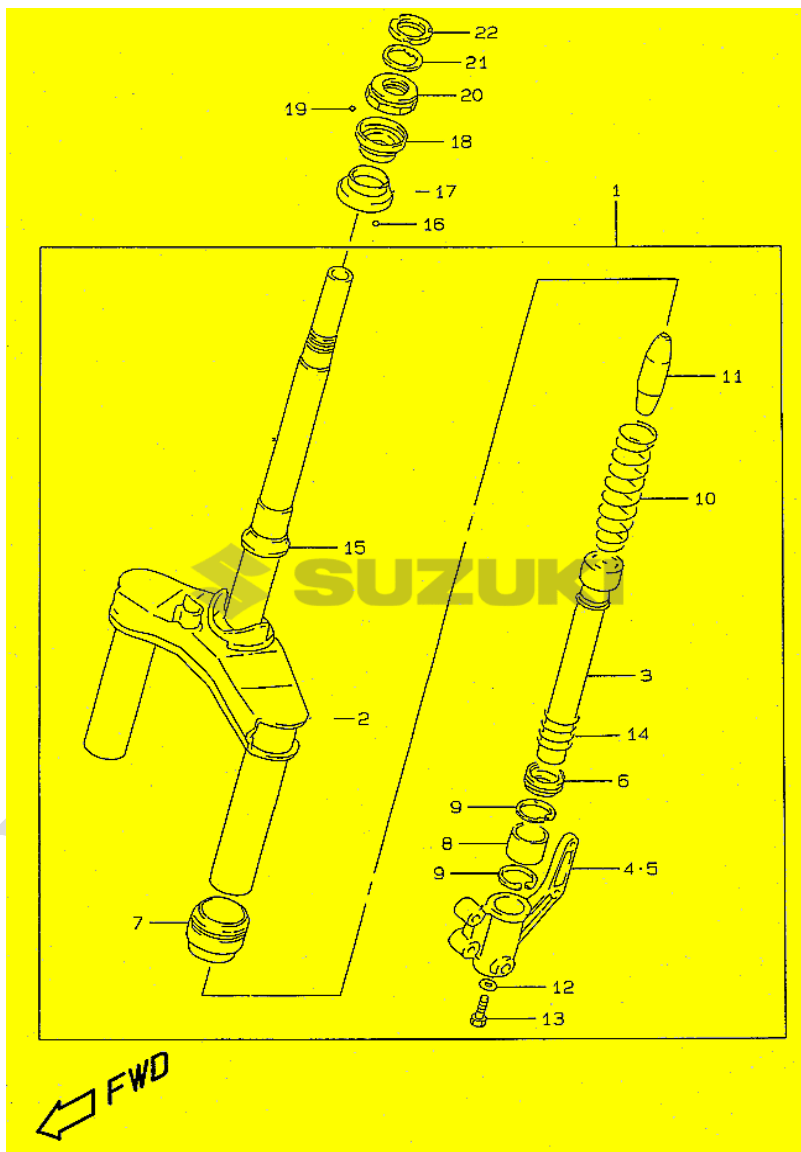
Ind	description1	description2	comment
R2	CUSHION	.CUSHION	
R3	BAND, SEAT (BLACK)	.BAND, SEAT (BLACK)	MOD AY50/W P2,P4,P22,P29,P41,P53
R6	SCREW	SCREW	
R9	MOLDING, SEAT	MOLDING, SEAT	
R10	BRACKET, FRONT HINGE	BRACKET, FRONT HINGE	
R11	BOLT,FRONT	BOLT,FRONT	
R12	NUT	NUT	
R13	LOCK ASSY, SEAT	LOCK ASSY, SEAT	(ZADI)
R14	SCREW	SCREW	
R19	CARRIER SET	CARRIER SET	OPT NOT SHOWN
R19	TOP CASE	TOP CASE	OPT NOT SHOWN

Suzuki AY 50 Katana SEAT (MODEL K1)



Ind	description1	description2	comment
R1	SEAT SET (BLACK/GREY)	SEAT SET (BLACK/GREY)	P26, P34
R1	SEAT SET (BLACK/GREY)	SEAT SET (BLACK/GREY)	
R2	CUSHION	.CUSHION	
R3	BAND, SEAT (BLACK)	.BAND, SEAT (BLACK)	P2, P4, P22, P29, P41, P53, P68
R4	SCREW	.SCREW	P2, P4, P22, P29, P41, P53, P68
R5	NUT	.NUT	P2, P4, P22, P29, P41, P53, P68
R6	SCREW	SCREW	
R8	CUSHION, COVER	CUSHION, COVER	
R9	MOLDING, SEAT	MOLDING, SEAT	
R10	BRACKET, FRONT HINGE	BRACKET, FRONT HINGE	
R11	BOLT, FRONT	BOLT, FRONT	
R12	NUT	NUT	
R13	LOCK ASSY, SEAT	LOCK ASSY, SEAT	(ZAD)
R14	SCREW	SCREW	
R17	CARRIER SET	CARRIER SET	OPT NOT SHOWN
R17	TOP CASE	TOP CASE	OPT NOT SHOWN

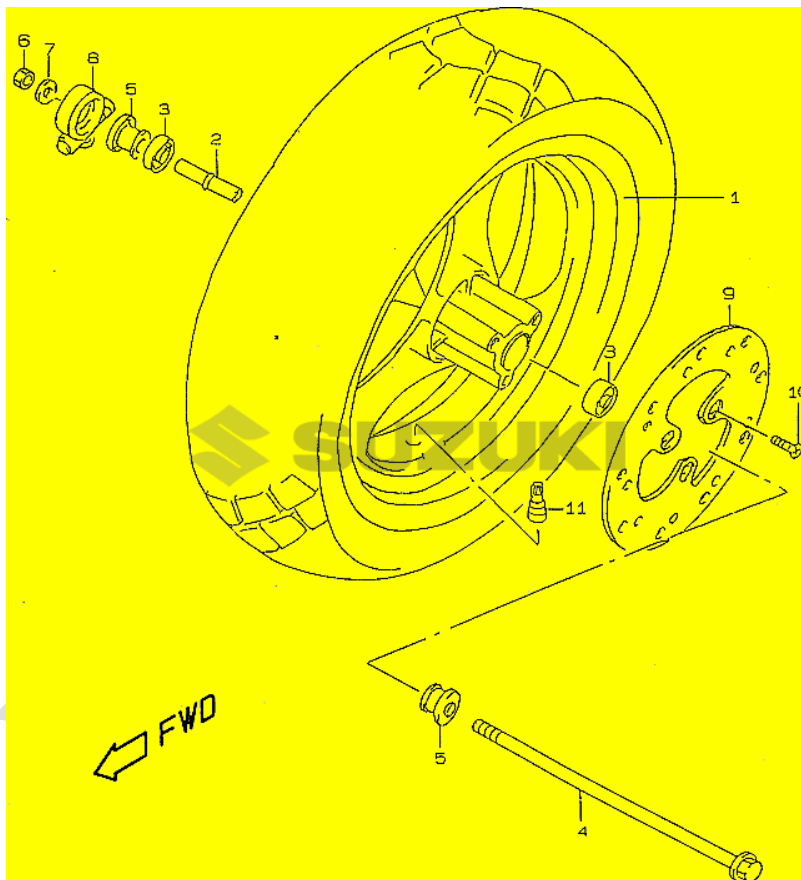
Suzuki AY 50 Katana FRONT FORK



Ind	description1	description2	comment
R1	FORK ASSY, FRONT	FORK ASSY, FRONT	
R2	STEM, STEERING	.STEM, STEERING	
R3	TUBE, INNER RH/LH	.TUBE, INNER RH/LH	
R4	BRACKET, AXLE RH	.BRACKET, AXLE RH	
R5	BRACKET, AXLE LH	.BRACKET, AXLE LH	
R6	SEAL, DUST	.SEAL, DUST	
R7	CASE, SEAL	.CASE, SEAL	
R8	PIPE GUIDE	.PIPE GUIDE	
R9	CIRCLIP	.CIRCLIP	
R10	SPRING, FRONT	.SPRING, FRONT	
R11	RUBBER, STOPPER	.RUBBER, STOPPER	
R12	WASHER	.WASHER	
R13	BOLT	.BOLT	
R14	SPRING	.SPRING	
R15	RACE, OUTER LOWER	RACE, OUTER LOWER	
R16	BALL, LOWER	BALL, LOWER	<-06111-05004
R17	RACE, INNER LOWER	RACE, INNER LOWER	
R18	RACE, INNER UPPER	RACE, INNER UPPER	
R19	BALL, UPPER	BALL, UPPER	<-06111-05004
R20	RACE, OUTER UPPER	RACE, OUTER UPPER	
R21	WASHER	WASHER	-->09166-02E00-E0Z
R22	NUT, STEM LOCK	NUT, STEM LOCK	

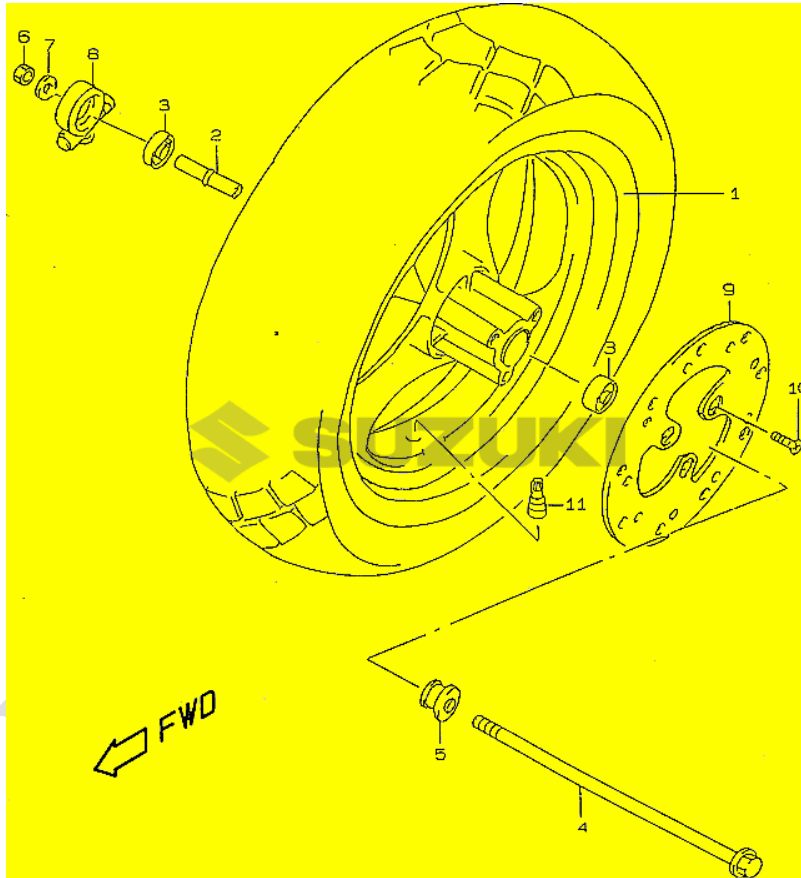


Suzuki AY 50 Katana FRONT WHEEL (MODEL V/W/X)



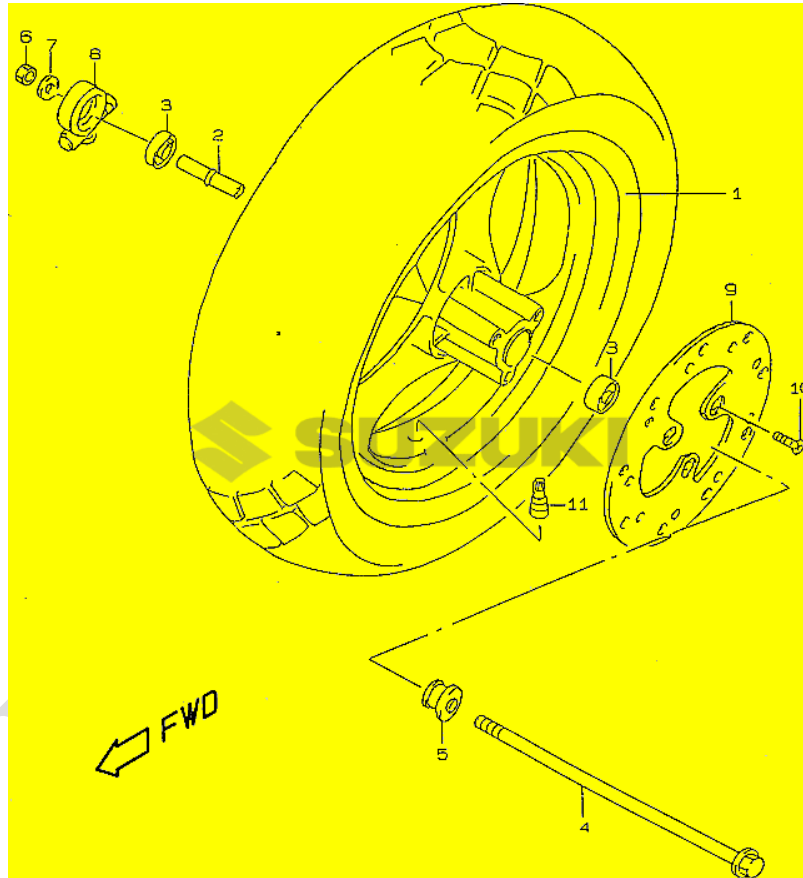
Ind	description1	description2	comment
R1	WHEEL SET, FRONT	WHEEL SET, FRONT	<--54141-35E00-E91
R1	WHEEL SET, FRONT	WHEEL SET, FRONT	<--54141-35E00-E91
R1	WHEEL SET, FRONT	WHEEL SET, FRONT	<--54141-35E00-28W
	SPACER, FRONT WHEEL	.SPACER, FRONT WHEEL	
R2	BEARING	BEARING	
R3	BEARING	.BEARING	<--08123-62007
R4	AXLE, FRONT	AXLE, FRONT	
R5	SPACER, FRONT AXLE	SPACER, FRONT AXLE	
R6	NUT	NUT	
R7	WASHER	WASHER	
R8	BOX ASSY, SPEEDOMETER GEAR (20)	BOX ASSY, SPEEDOMETER GEAR (20)	
R9	DISC, FRONT BRAKE	DISC, FRONT BRAKE	MODEL V/W <-- 59221-35E50
R10	BOLT, DISC	BOLT, DISC	<--59421-03A01-E0Z
R11	VALVE ASSY	VALVE ASSY	

Suzuki AY 50 Katana FRONT WHEEL (MODEL Y)



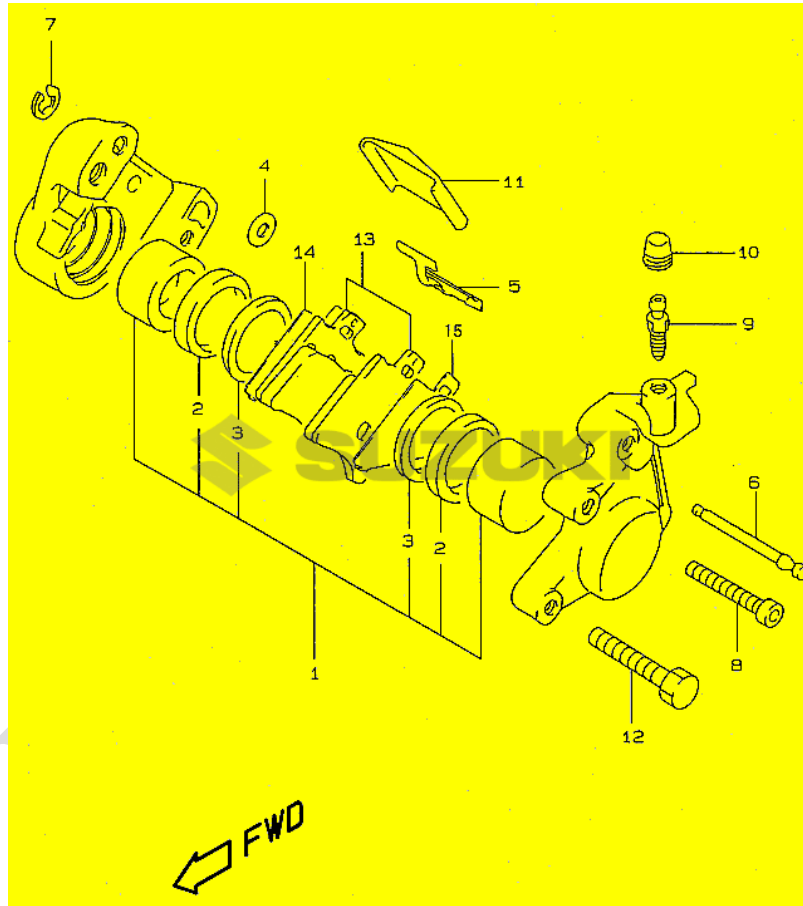
Ind	description1	description2	comment
R2	SPACER, FRONT WHEEL BEARING	.SPACER, FRONT WHEEL BEARING	
R3	BEARING	.BEARING	<--08123-62007
R4	AXLE, FRONT	AXLE, FRONT	
R5	SPACER, FRONT AXLE	SPACER, FRONT AXLE	
R6	NUT	NUT	
R7	WASHER	WASHER	
R8	BOX ASSY, SPEEDOMETER GEAR (20	BOX ASSY, SPEEDOMETER GEAR (20	
R9	DISC, FRONT BRAKE	DISC, FRONT BRAKE	
R10	BOLT, DISC	BOLT, DISC	<--59421-03A01-E0Z
R11	VALVE ASSY	VALVE ASSY	

Suzuki AY 50 Katana FRONT WHEEL (MODEL K1)



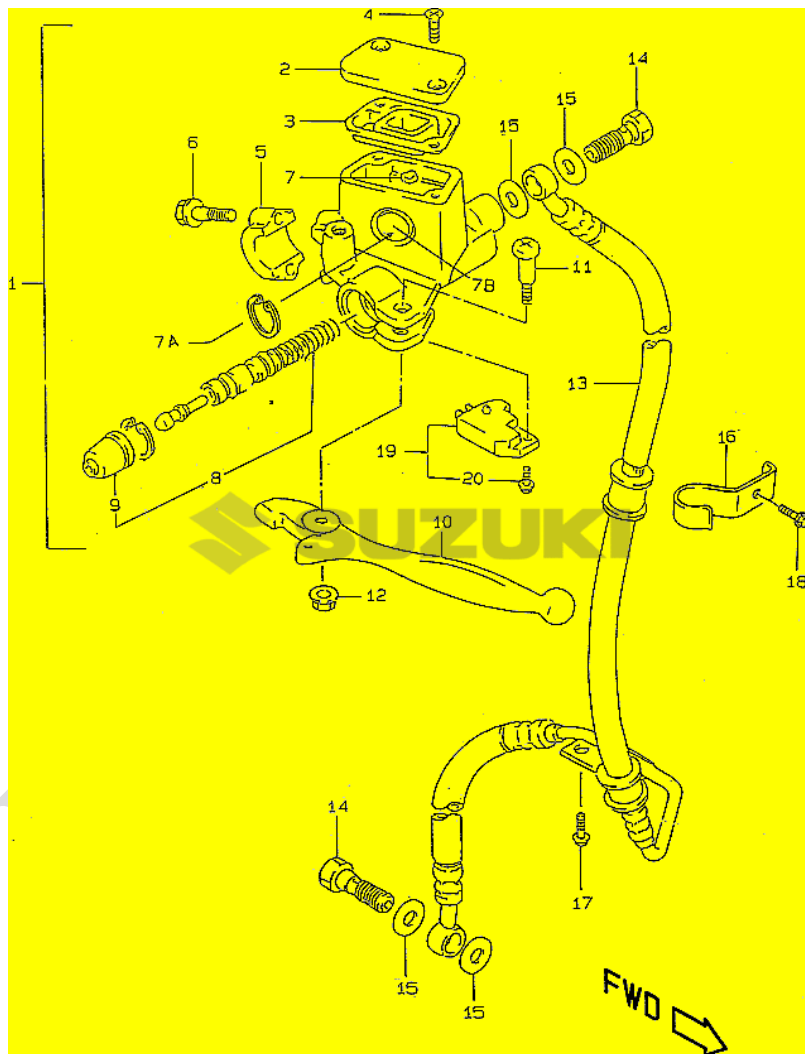
Ind	description1	description2	comment
R2	SPACER, FRONT WHEEL BEARING	.SPACER, FRONT WHEEL BEARING	
R3	BEARING	.BEARING	<--08123-62007
R4	AXLE, FRONT	AXLE, FRONT	
R5	SPACER, FRONT AXLE	SPACER, FRONT AXLE	
R6	NUT	NUT	
R7	WASHER	WASHER	
R8	BOX ASSY, SPEEDOMETER GEAR (20	BOX ASSY, SPEEDOMETER GEAR (20	
R9	DISC, FRONT BRAKE	DISC, FRONT BRAKE	
R10	BOLT, DISC	BOLT, DISC	<--59421-03A01-E0Z

Suzuki AY 50 Katana FRONT CALIPER



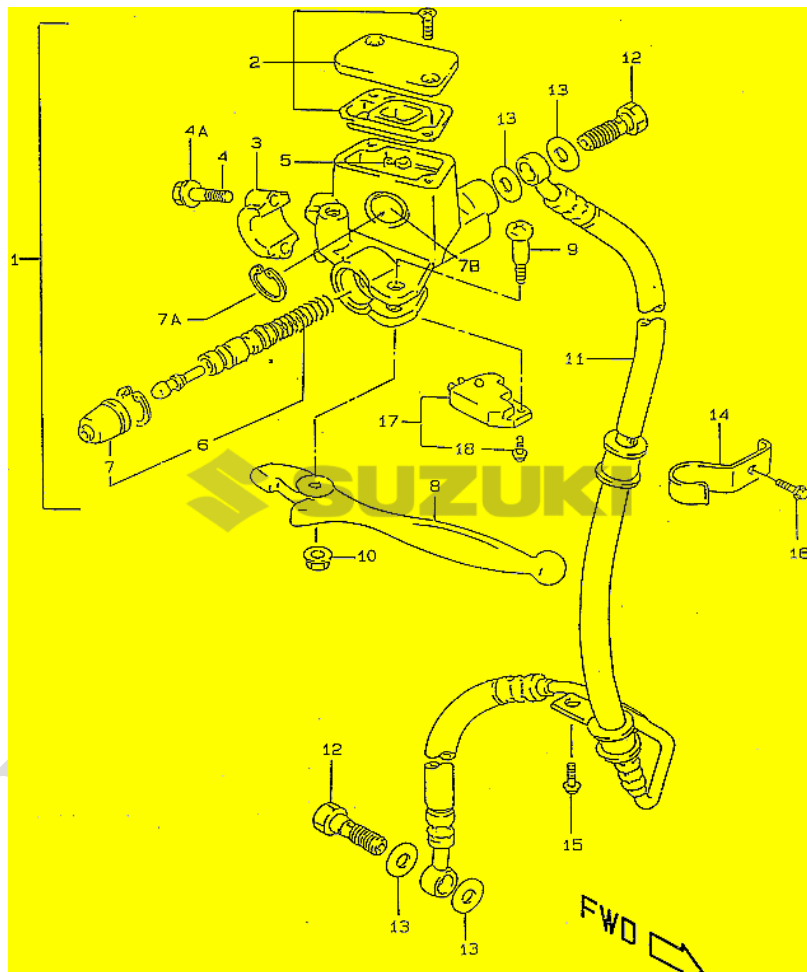
Ind	description1	description2	comment
R	CALIPER ASSY	CALIPER ASSY	(GRIMECA)
R1	PISTON SET	.PISTON SET	
R2	SEAL	..SEAL	
R3	SEAL	..SEAL	
R4	SEAL	..SEAL	
R5	SPRING	..SPRING	
R6	PIN	.PIN	
R7	CIRCLIP	.CIRCLIP	
R8	BOLT	.BOLT	
R9	BLEEDER	..BLEEDER	
R10	CAP	.CAP	
R11	COVER	..COVER	
R12	BOLT	BOLT	
R13	PAD SET	PAD SET	
R14	SHIM. PAD INNER	SHIM. PAD INNER	
R15	SHIM. PAD OUTER	SHIM. PAD OUTER	

Suzuki AY 50 Katana FRONT MASTER CYLINDER (MAGURA)



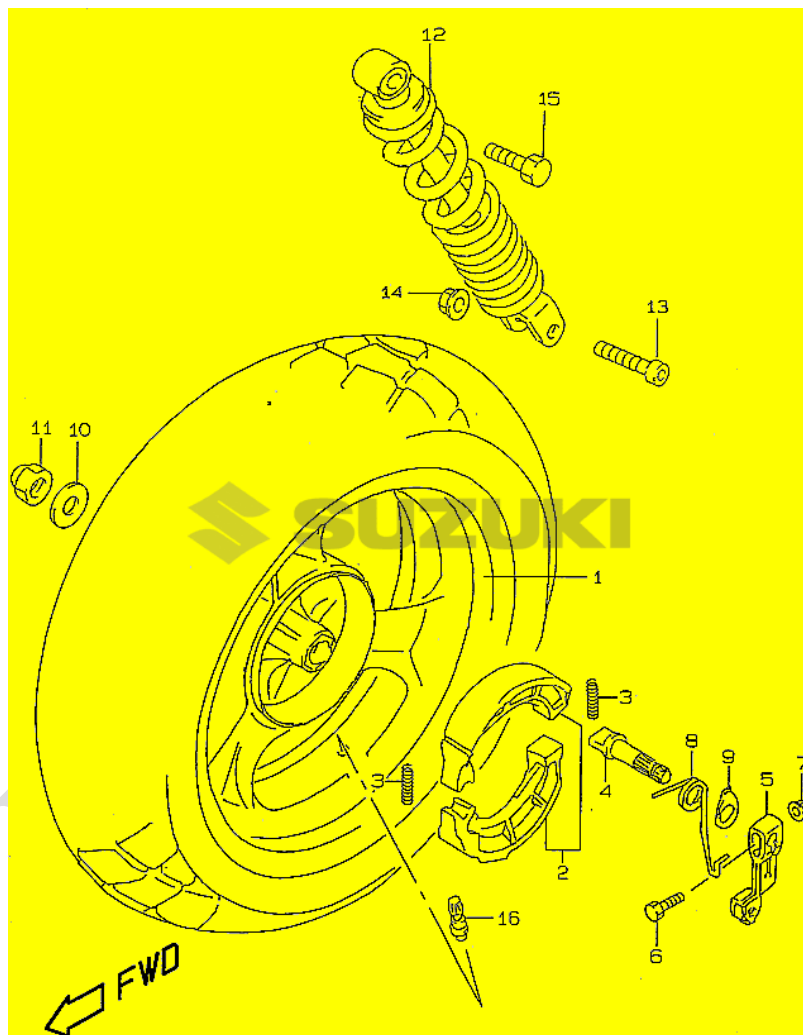
Ind	description1	description2	comment
R1	CYLINDER ASSY, FRONT MASTER	CYLINDER ASSY, FRONT MASTER	
R2	CAP	.CAP	
R3	DIAPHRAGM	.DIAPHRAGM	
R4	SCREW	.SCREW	
R5	HOLDER	.HOLDER	
R6	BOLT	.BOLT	
R7	PROTECTOR	.PROTECTOR	
R7A	CIRCLIP, LEVEL GAUGE	.CIRCLIP, LEVEL GAUGE	
R7B	LEVEL GAUGE	.LEVEL GAUGE	
R8	PISTON/CUP, SET	.PISTON/CUP, SET	
R9	BOOT	.BOOT	
R10	LEVER, BRAKE	LEVER, BRAKE	
R11	SCREW, LEVER	SCREW, LEVER	
R12	NUT	NUT	
R13	HOSE, FRONT BRAKE	HOSE, FRONT BRAKE	
R14	BOLT (10X1.00X22)	BOLT (10X1.00X22)	<-09360-10041
R15	WASHER (10X15X1.5)	WASHER (10X15X1.5)	
R16	CLAMP, BRAKE HOSE	CLAMP, BRAKE HOSE	MODEL VM/X/Y
R17	BOLT (5X8)	BOLT (5X8)	
R18	BOLT (6X10)	BOLT (6X10)	MODEL VM/X/Y
R19	SWITCH ASSY, STOP	SWITCH ASSY, STOP	
R20	SCREW	.SCREW	

Suzuki AY 50 Katana FRONT MASTER CYLINDER (AJP)



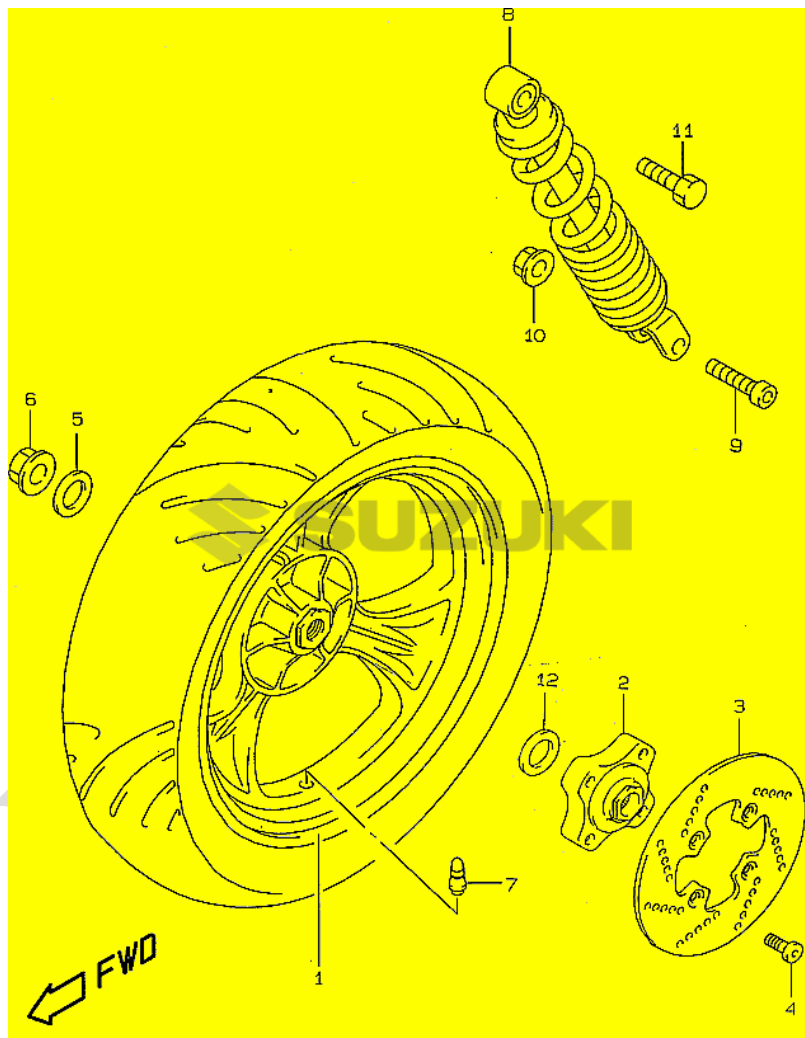
Ind	description1	description2	comment
R1	CYLINDER ASSY,FRONT MASTER	CYLINDER ASSY,FRONT MASTER	
R2	CAP SET	.CAP SET	
R3	HOLDER	.HOLDER	
R4	BOLT	.BOLT	
R4A	WASHER	.WASHER	
R5	PROTECTOR	.PROTECTOR	
R6	PISTON/CUP, SET	. PISTON/CUP, SET	
R7	BOOT	.BOOT	
R7A	CIRCLIP, LEVEL GAUGE	.CIRCLIP, LEVEL GAUGE	
R7B	LEVEL GAUGE	.LEVEL GAUGE	
R8	LEVER, BRAKE	LEVER, BRAKE	
R9	SCREW, LEVER	SCREW, LEVER	
R10	NUT	NUT	
R11	HOSE, FRONT BRAKE	HOSE, FRONT BRAKE	
R12	BOLT (10X1.00X22)	BOLT (10X1.00X22)	<--09360-10041
R13	WASHER (10X15X1.5)	WASHER (10X15X1.5)	
R14	CLAMP, BRAKE HOSE	CLAMP, BRAKE HOSE	MODEL V/W/X/Y
R15	BOLT (5X8)	BOLT (5X8)	
R16	BOLT (6X10)	BOLT (6X10)	MODEL V/W/X/Y
R17	SWITCH ASSY, STOP	SWITCH ASSY, STOP	
R18	SCREW	.SCREW	

**Suzuki AY 50 Katana REAR WHEEL  
(MODEL V/W AND MODEL AY50 X/Y)**



Ind	description1	description2	comment
R1	WHEEL, REAR (MT3.50X12)	WHEEL, REAR (MT3.50X12)	MODEL V/W
R2	SHOE SET, BRAKE	SHOE SET, BRAKE	<--54041-03A40
R3	SPRING, SHOE	SPRING, SHOE	
R4	CAM, REAR BRAKE	CAM, REAR BRAKE	
R5	LEVER, BRAKE CAM	LEVER, BRAKE CAM	
R6	BOLT	BOLT	
R7	NUT	NUT	
R8	SPRING, LEVER RETURN	SPRING, LEVER RETURN	
R9	PLATE, BRAKE LINING	PLATE, BRAKE LINING	<--64492-17B02
R10	WASHER	WASHER	
R11	NUT, REAR AXLE	NUT, REAR AXLE	
R12	ABSORBER ASSY, REAR SHOCK	ABSORBER ASSY, REAR SHOCK	
R13	BOLT, LOWER	BOLT, LOWER	
R14	NUT	NUT	
R15	BOLT, UPPER	BOLT, UPPER	
R16	VALVE ASSY	VALVE ASSY	

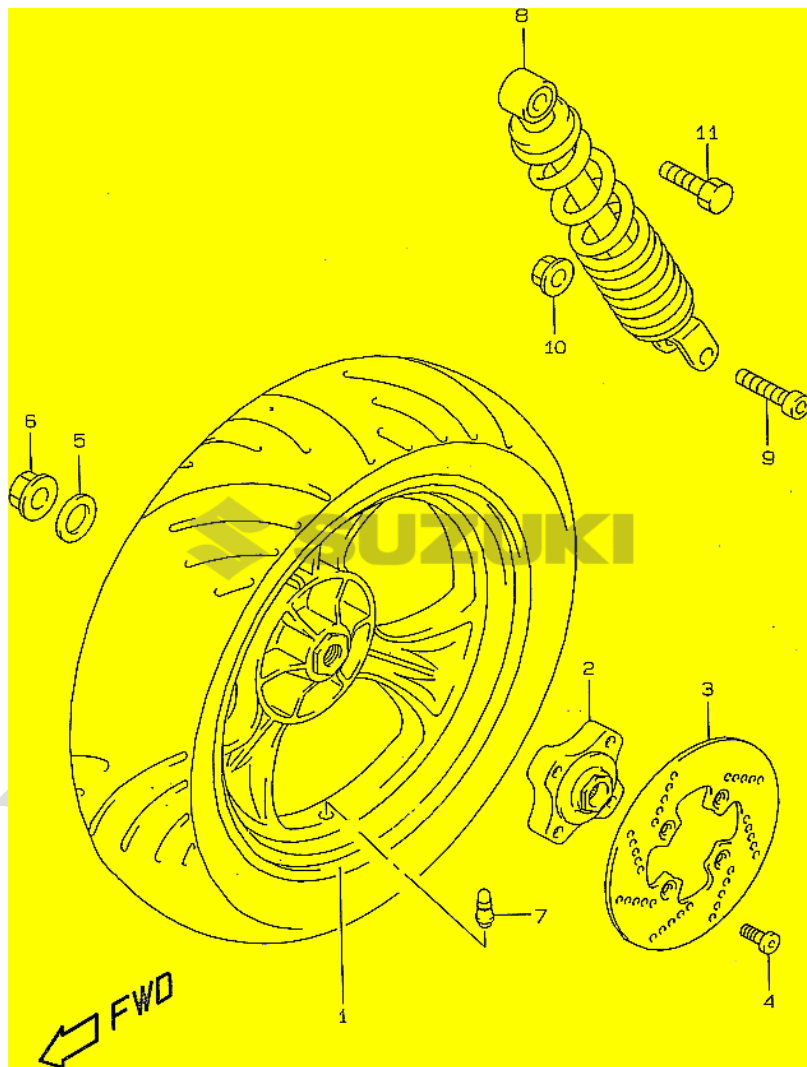
Suzuki AY 50 Katana REAR WHEEL (MODEL AY50W/WR X)



Ind	description1	description2	comment
R2	HOUSING, DISC PLATE	HOUSING, DISC PLATE	
R3	DISC, REAR BRAKE	DISC, REAR BRAKE	
R4	BOLT, DISC	BOLT, DISC	<--59421-03A01-E0Z
R5	WASHER	WASHER	
R6	NUT	NUT	
R7	VALVE ASSY, WHEEL RIM	VALVE ASSY, WHEEL RIM	
R8	ABSORBER ASSY, REAR SHOCK	ABSORBER ASSY, REAR SHOCK	
R9	BOLT, LOWER	BOLT, LOWER	
R10	NUT	NUT	
R11	BOLT, UPPER	BOLT, UPPER	
R12	WASHER	WASHER	

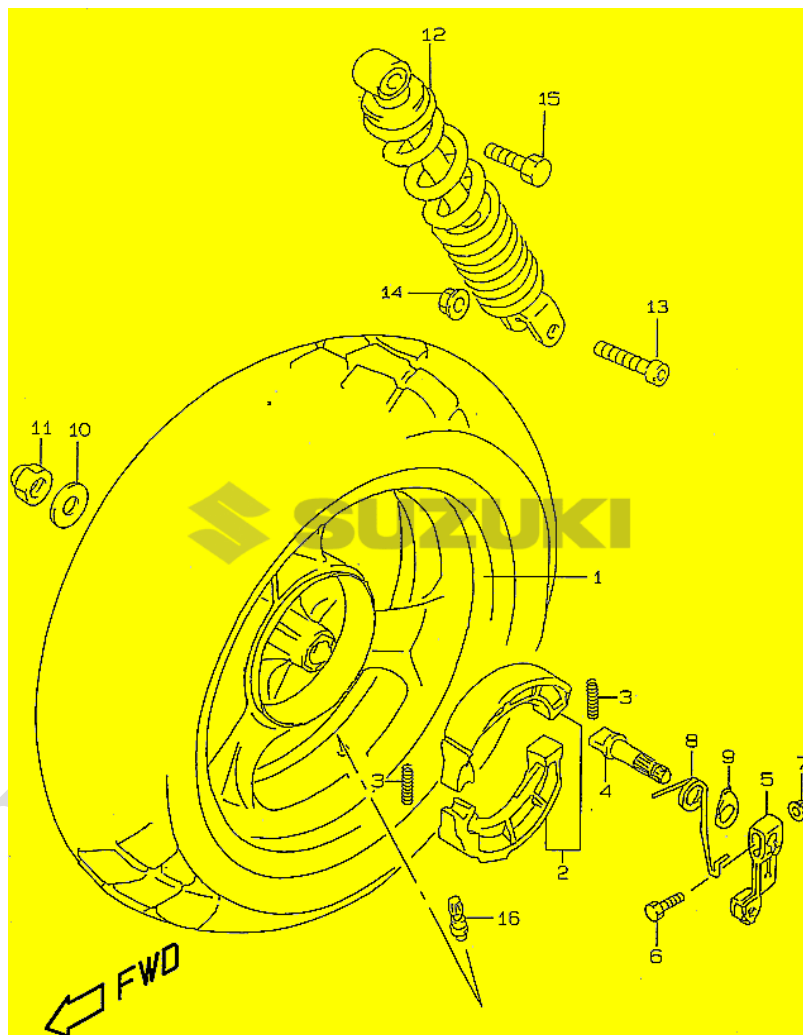


Suzuki AY 50 Katana REAR WHEEL (MODEL AY50W/WR Y)



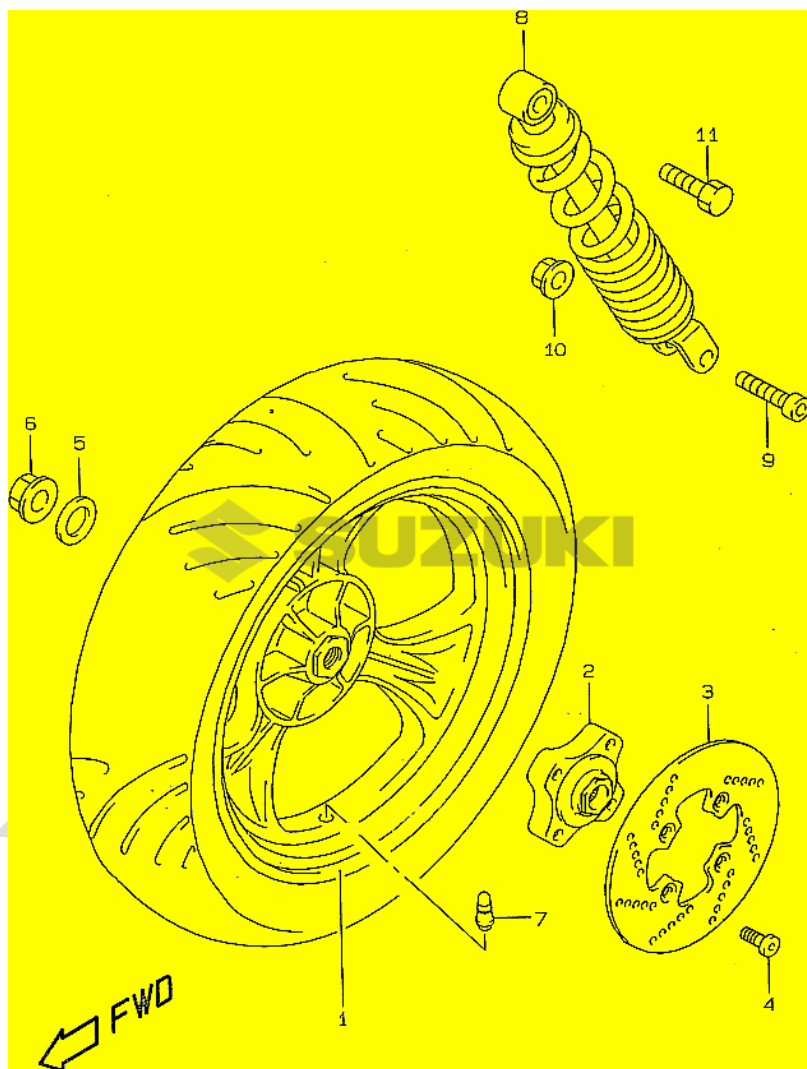
Ind	description1	description2	comment
R2	HOUSING, DISC PLATE	HOUSING, DISC PLATE	
R3	DISC, REAR BRAKE	DISC, REAR BRAKE	
R4	BOLT, DISC	BOLT, DISC	<--59421-03A01-E0Z
R5	WASHER	WASHER	
R6	NUT	NUT	
R7	VALVE ASSY, WHEEL RIM	VALVE ASSY, WHEEL RIM	
R8	ABSORBER ASSY, REAR SHOCK	ABSORBER ASSY, REAR SHOCK	
R9	BOLT, LOWER	BOLT, LOWER	
R10	NUT	NUT	
R11	BOLT, UPPER	BOLT, UPPER	

Suzuki AY 50 Katana REAR WHEEL (MODEL AY50 K1)



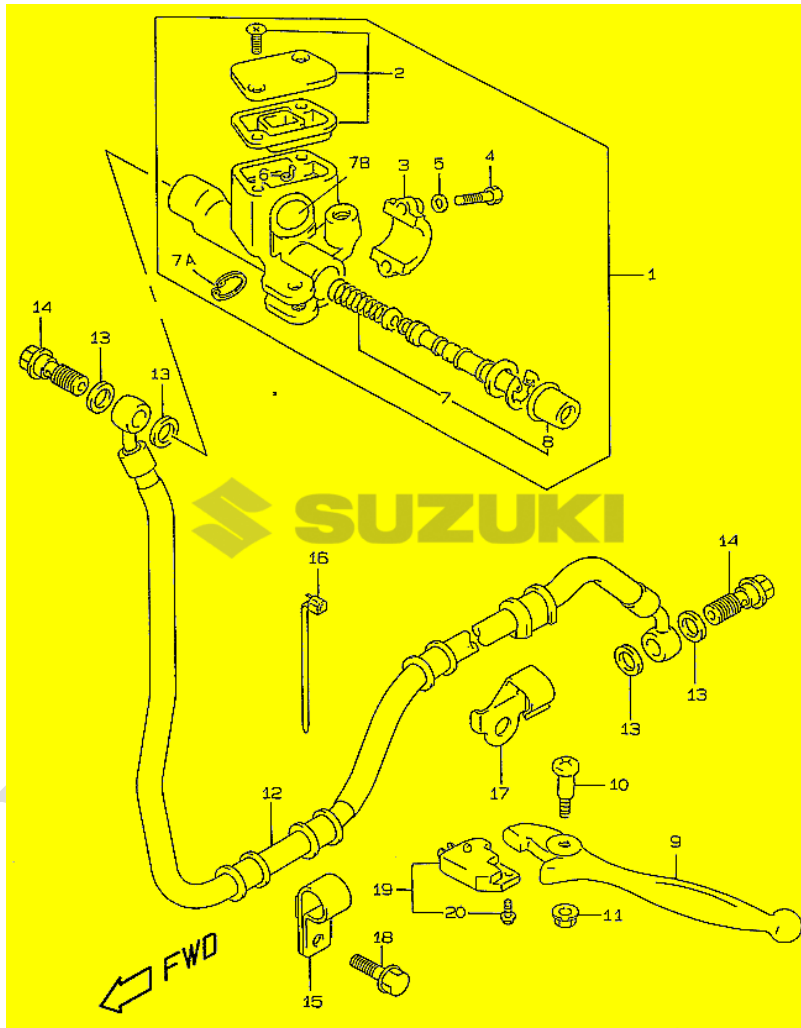
Ind	description1	description2	comment
R1	WHEEL, REAR (MT3.50X12)	WHEEL, REAR (MT3.50X12)	TIRES AND TUBES NOT INCLUDED
R2	SHOE SET, BRAKE	SHOE SET, BRAKE	<--54041-03A40
R3	SPRING, SHOE	SPRING, SHOE	
R4	CAM, REAR BRAKE	CAM, REAR BRAKE	
R5	LEVER, BRAKE CAM	LEVER, BRAKE CAM	
R6	BOLT	BOLT	
R7	NUT	NUT	
R8	SPRING, LEVER RETURN	SPRING, LEVER RETURN	
R9	PLATE, BRAKE LINING	PLATE, BRAKE LINING	
R10	WASHER	WASHER	
R11	NUT, REAR AXLE	NUT, REAR AXLE	
R12	ABSORBER ASSY, REAR SHOCK	ABSORBER ASSY, REAR SHOCK	
R13	BOLT, LOWER	BOLT, LOWER	
R14	NUT	NUT	
R15	BOLT, UPPER	BOLT, UPPER	
R16	VALVE ASSY	VALVE ASSY	

Suzuki AY 50 Katana REAR WHEEL (MODEL AY50WR K1)



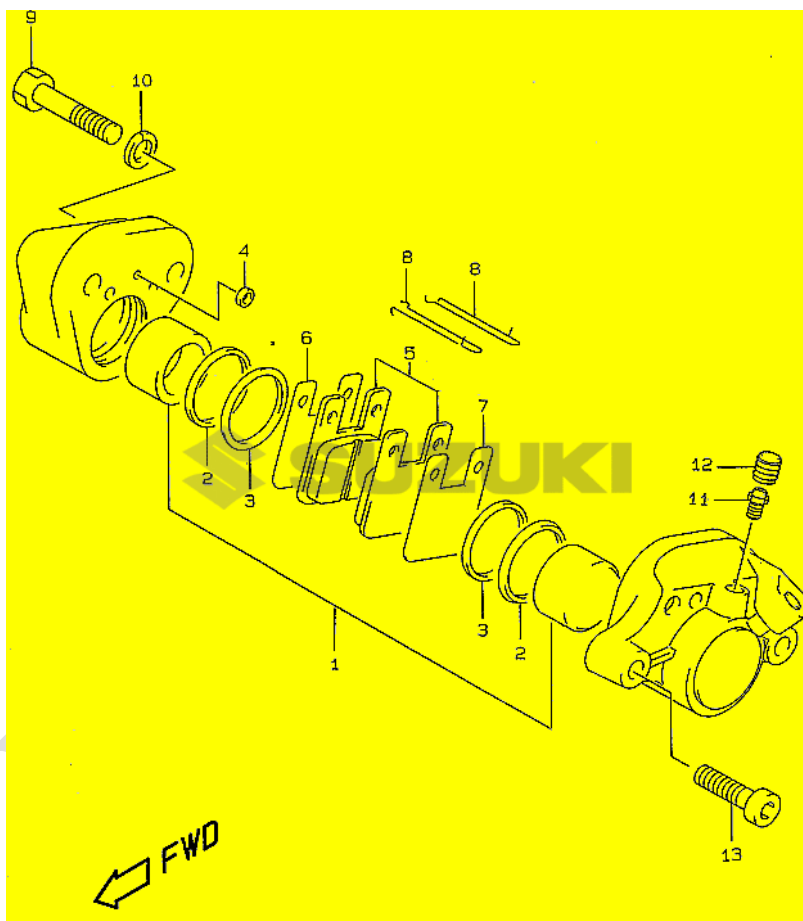
Ind	description1	description2	comment
R1	WHEEL COMP, REAR (13M/CXMT3.50	WHEEL COMP, REAR (13M/CXMT3.50	TIRES AND TUBES NOT INCLUDED
R2	HOUSING, DISC PLATE	HOUSING, DISC PLATE	
R3	DISC, REAR BRAKE	DISC, REAR BRAKE	
R4	BOLT, DISC	BOLT, DISC	<--59421-03A01-E0Z
R5	WASHER	WASHER	
R6	NUT	NUT	
R7	VALVE ASSY, WHEEL RIM	VALVE ASSY, WHEEL RIM	
R8	ABSORBER ASSY, REAR SHOCK	ABSORBER ASSY, REAR SHOCK	
R9	BOLT, LOWER	BOLT, LOWER	
R10	NUT	NUT	
R11	BOLT, UPPER	BOLT, UPPER	

**Suzuki AY 50 Katana REAR MASTER CYLINDER  
(MODEL AY50W/WR X/Y/K1)**



Ind	description1	description2	comment
R1	CYLINDER ASSY, REART MASTER	CYLINDER ASSY, REART MASTER	(AJP)
R2	CAP SET	.CAP SET	
R3	HOLDER	.HOLDER	
R4	BOLT	.BOLT	
R5	WASHER	.WASHER	
R6	PROTECTOR	.PROTECTOR	
R7	PISTON SET	.PISTON SET	
R7A	CIRCLIP, LEVEL GAUGE	.CIRCLIP, LEVEL GAUGE	
R7B	LEVEL GAUGE	.LEVEL GAUGE	
R8	BOOT	..BOOT	
R9	LEVER	LEVER	
R10	BOLT	BOLT	
R11	NUT	NUT	
R12	HOSE, REAR	HOSE, REAR	<--69480-35E00
R13	WASHER (10X15X1.5)	WASHER (10X15X1.5)	
R14	BOLT(10X1X22)	BOLT(10X1X22)	
R15	CLAMP, REAR BRAKE	CLAMP, REAR BRAKE	
R16	CLAMP, REAR BRAKE	CLAMP, REAR BRAKE	
R17	CLAMP, REAR BRAKE	CLAMP, REAR BRAKE	
R18	BOLT	BOLT	
R19	SWITCH ASSY, REAR BRAKE	SWITCH ASSY, REAR BRAKE	
R20	SCREW	.SCREW	

Suzuki AY 50 Katana REAR CALIPER (MODEL AY50W/WR X/Y/K1)



Ind	description1	description2	comment
R	ETRIER DE FREIN	CALIPER ASSY, REAR	AJP
R1	KIT PISTON DE FREIN	.PISTON SET	
R2	JOINT	.SEAL	
R3	JOINT	.SEAL	
R4	JOINT	.SEAL	
R5	JEU DE PLAQUETTES	.PAD. SET	
R6	RONDELLE DROIT	.SHIM. PAD, RH	
R7	RONDELLE GAUCHE	.SHIM. PAD, LF	
R8	AXE	SPRING, PAD	
R9	BOULON	.BOLT, HOUSING	
R10	RONDELLE 8 UX50W/X	.WASHER	
R11	VIS DE PURGE	.BLEEDER	
R12	CAPUCHON	.CAP	
R13	VIS GS500/K4	BOLT	